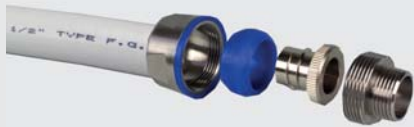


FOOD GRADE FITTINGS, IP 68, STAINLESS STEEL AISI-316



Anaconda Compact Hygienic Design, stainless steel AISI-316 "food fitting" for Anaconda Sealtite

Anaconda Compact hygienically designed, stainless steel AISI-316 food fittings can be used with all types of Anaconda Sealtite conduits (except CNP). These stainless steel Compact fittings are designed with rounded corners and have a smooth contourless profile to minimise the risk of bacteria deposits and to promote easy cleaning. They display excellent resistance to corrosion.

Construction: Stainless steel AISI-316 fitting, consisting of 5 parts (counter nut, upper seal, clamping ring, ferrule and body).

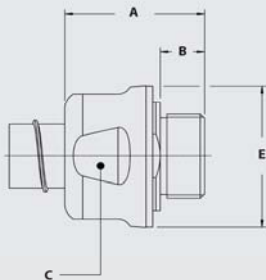
Material: Counter nut and body are stainless steel AISI-316 and the ferrule is from nickel plated brass. The blue upper rubber and clamping ring are made of TPE in accordance with FDA / CFR 21.

Special approvals: Special TPE seals, halogen-free, specially formulated for food and beverage applications per FDA guideline CFR 21. Hygienic design approval by EHEDG.

Temperature: -45 °C till +105 °C continuous.

Protection class: IP 68 according EN 60529, IP69 according DIN 40050-9 (till 40 Bar high pressure).

Colour: Metal.



ISO straight, compact, food grade fitting, male, stainless steel AISI-316



Thread ISO	Sealtite Size (NW)	Min. Internal Bore (mm)	Dimensions in mm					Standard Package	Article Number	Weight (Kg/100)
			A	B	C	D	E			
M16 x 1,5	3/8"	10,4	31	10	27	-	31	10	742.016.9	5,7
M20 x 1,5	1/2"	13,8	32	10	30	-	34	10	742.020.9	6,9
M25 x 1,5	3/4"	18,5	33	10	36	-	40	5	742.025.9	9,8
M32 x 1,5	1"	23,8	37	12	44	-	48	5	742.032.9	17,2
M40 x 1,5	1.1/4"	31,8	39	13	48	-	57	2	742.040.9	21,7
M50 x 1,5	1.1/2"	36,8	41	14	60	-	65	1	742.050.9	32,6
M63 x 1,5	2"	47,8	43	16	72	-	78	1	742.063.9	44,3

General
Index

Anaconda
Multiflex

Anaconda
Multitite

Anaconda
Sealtite

Anaconda
Sealtite Spec.

Anaconda
Fittings

FOOD GRADE FITTINGS, IP 68, STAINLESS STEEL AISI-316



Anaconda Hygienic Design, stainless steel AISI-316 "food fitting" for Anaconda Sealrite

Anaconda hygienically designed, stainless steel AISI-316 food fittings can be used with all types of Anaconda Sealrite conduits (except CNP). These stainless steel fittings are designed with rounded corners and have a smooth contourless profile to minimise the risk of bacteria deposits and to promote easy cleaning. They display excellent resistance to corrosion.

Construction: Stainless steel AISI-316 fitting, consisting of 6 parts (lower seal, counter nut, upper seal, clamping ring, ferrule and body).

Material: Counter nut and body are stainless steel AISI-316 and the ferrule is from nickel plated brass. Clamping ring is from PA6. The blue rubber seals are made of TPE in accordance with FDA / CFR 21.

Special approvals: Special TPE seals, halogen-free, specially formulated for food and beverage applications per FDA guideline CFR 21.

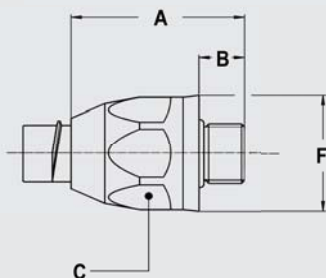
Temperature: -45 °C till +105 °C continuous.

Protection class: IP 68 according EN 60529, IP69 according DIN 40050-9 (till 40 Bar high pressure).

Colour: Metal.



ISO straight food grade fitting, male, stainless steel AISI-316



Thread	Sealrite Size (NW)	Min. Internal Bore (mm)	Dimensions in mm					Standard Package	Article Number	Weight (Kg/100)
			A	B	C	D	F			
M16 x 1,5	3/8"	10,4	48	12	27	-	31	10	832.016.9	6,6
M20 x 1,5	1/2"	13,8	50	13	30	-	34	10	832.020.9	8,0
M25 x 1,5	3/4"	18,5	57	15	36	-	41	5	832.025.9	11,8
M32 x 1,5	1"	23,8	68	15	46	-	53	5	832.032.9	22,8
M40 x 1,5	1.1/4"	31,8	75	16	54	-	62	2	832.040.9	34,2
M50 x 1,5	1.1/2"	36,8	81	18	63	-	70	1	832.050.9	38,6
M63 x 1,5	2"	47,8	88	20	77	-	85	1	832.063.9	76,6

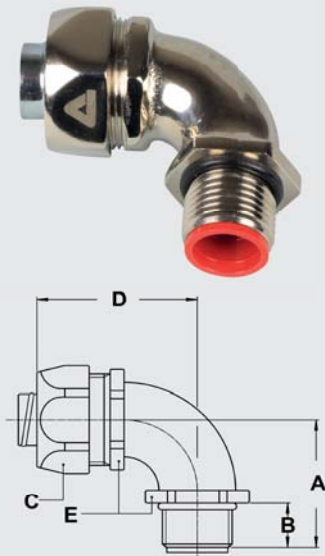
FOOD GRADE FITTINGS, IP 67, NICKEL PLATED BRASS



Anaconda hygienic design, mirror-polished "elbow food fitting" for Anaconda Sealrite

Anaconda hygienically designed **mirror polished** elbow fittings can be used with all types of Anaconda Sealrite (except CNP) and offer a high corrosion resistance. Because of the special mirror-polished treatment these fittings are specifically smooth and give a good protection especially for the pharmaceutical and food industry. The mirror polished treatment reduces the risk of bacterial formation and permits easy cleaning.

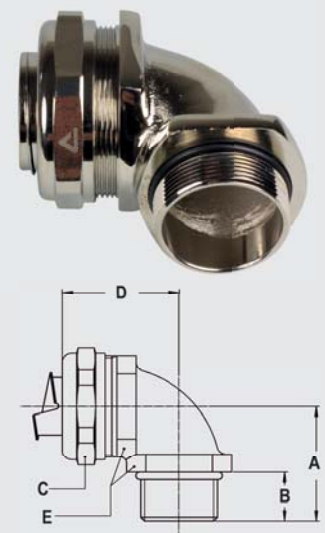
Construction: Nickel plated brass fitting, consisting of 4 parts (counter nut, clamping ring, ferrule and body).
Material: Counter nut, body and ferrule are nickel plated brass with exception of size 3/8" till 1" where the ferrule is from galvanised steel. Clamping ring and inserts are made from PA6 (red for ISO metric).
Temperature: -45 °C till +105 °C continuous.
Protection class: IP 67 (dust-proof, water-tight).
Colour: Metal.



ISO 90° fitting, male, mirror-polished nickel plated brass



Thread	Sealrite Size (NW)	Min. Internal Bore (mm)	Dimensions in mm					Standard Package	Article Number	Weight (Kg/100)
			A	B	C	D	E			
M16 x 1,5	5/16"	8,3	32	12	26	42	22	10	818.915.1	8,6
M20 x 1,5	5/16"	8,3	33	13	26	42	22	10	818.914.1	8,8
M16 x 1,5	3/8"	10,2	32	12	26	42	22	10	818.916.1	8,2
M20 x 1,5	3/8"	10,2	33	13	26	42	22	10	818.917.1	8,4
M20 x 1,5	1/2"	13,9	36	13	29	43	27	10	818.920.1	12,6
M25 x 1,5	3/4"	18,5	43	15	35	48	33	5	818.925.1	19,2
M32 x 1,5	1"	23,8	48	15	45	59	42	5	818.932.1	31,6



ISO 90° fitting, compact, male, mirror-polished nickel plated brass



Thread	Sealrite Size (NW)	Min. Internal Bore (mm)	Dimensions in mm					Standard Package	Article Number	Weight (Kg/100)
			A	B	C	D	E			
M40 x 1,5	1.1/4"	33,3	46	13	53	53	52	2	718.940.1	40,1
M50 x 1,5	1.1/2"	38,0	52	14	62	57	60	2	718.950.1	57,5
M63 x 1,5	2"	49,0	62	16	76	68	72	2	718.963.1	90,6