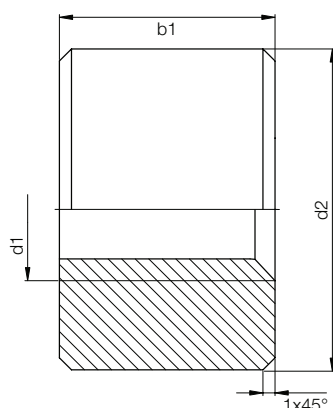


drylin® Lead Screw Drives | Product Range

Cylindrical trapezoidal lead screw nuts, made from iglidur® W300, left-hand thread



Order key

WSLM-2215TR10x2



Dimensions [mm]

Part number short	Effective supporting surface [mm²]	d2 h9	b1	Thread d1 x P	max. stat. F axial [N]
WSLM-2215TR10x2	212	22	15	TR10x2	1,060
WSLM-2215TR10x3	200	22	15	TR10x3	1,000
WSLM-2618TR12x3	296	26	18	TR12x3	1,480
WSLM-3021TR14x4	396	30	21	TR14x4	1,980
WSLM-3624TR16x2	564	36	24	TR16x2	2,820
WSLM-3024TR16x4	526	30	24	TR16x4	2,630
WSLM-3624TR16x4	526	36	24	TR16x4	2,830
WSLM-3027TR18x4	678	30	27	TR18x4	3,390
WSLM-4027TR18x4	678	40	27	TR18x4	3,390
WSLM-3025TR20x4	706	30	25	TR20x4	3,530
WSLM-4530TR20x4	848	45	30	TR20x4	4,240
WSLM-5036TR24x5	1,214	50	36	TR24x5	6,070
WSLM-5039TR26x5	1,438	50	39	TR26x5	7,190
WSLM-6042TR28x5	1,680	60	42	TR28x5	8,400
WSLM-6045TR30x6	1,906	60	45	TR30x6	9,530

Dimensions [mm]

Part number long	Effective supporting surface [mm²]	d2 h9	b1	Thread d1 x P	max. stat. F axial [N]
WSLM-2220TR10x2	282	22	20	TR10x2	1,410
WSLM-2220TR10x3	266	22	20	TR10x3	1,330
WSLM-2624TR12x3	394	26	24	TR12x3	1,970
WSLM-3028TR14x4	526	30	28	TR14x4	2,630
WSLM-3632TR16x2	702	36	32	TR16x2	3,760
WSLM-3632TR16x4	752	36	32	TR16x4	3,510
WSLM-4036TR18x4	904	40	36	TR18x4	4,520
WSLM-4540TR20x4	1,130	45	40	TR20x4	5,650
WSLM-5048TR24x5	1,620	50	48	TR24x5	8,100
WSLM-5052TR26x5	1,918	50	52	TR26x5	9,590
WSLM-6056TR28x5	2,240	60	56	TR28x5	11,200
WSLM-6060TR30x6	2,542	60	60	TR30x6	12,710