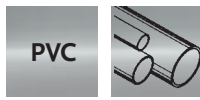
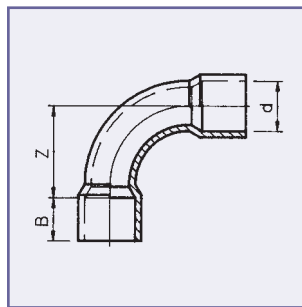


Bend 90°

- Bocht 90°
- Bogen 90°
- Courbe 90°
- Curva 90°
- Curva 90°

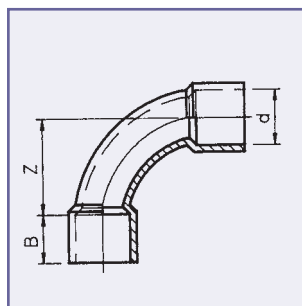


32-50 mm R = 1.8d
63-315 mm R = 1.5d

| Art.code | d | Z | (= max. tol. +15%) B | PN | Quantity |
|----------|-----|-----|----------------------|------|----------|
| 1.05.032 | 32 | 60 | 25 | 10 | 350 |
| 1.06.032 | 32 | 60 | 25 | 16 | 175 |
| 1.05.040 | 40 | 76 | 30 | 10 | 200 |
| 1.06.040 | 40 | 76 | 30 | 16 | 100 |
| 1.05.050 | 50 | 92 | 35 | 10 | 100 |
| 1.06.050 | 50 | 92 | 35 | 16 | 80 |
| 1.05.063 | 63 | 102 | 43 | 10 | 60 |
| 1.06.063 | 63 | 102 | 43 | 16 | 45 |
| 1.05.075 | 75 | 118 | 51 | 10 | 35 |
| 1.06.075 | 75 | 118 | 51 | 16 | 25 |
| 1.05.090 | 90 | 142 | 58 | 10 | 20 |
| 1.06.090 | 90 | 142 | 58 | 16 | 15 |
| 1.05.110 | 110 | 175 | 70 | 12.5 | 10 |
| 1.05.125 | 125 | 200 | 79 | 12.5 | 6 |
| 1.05.140 | 140 | 236 | 87 | 12.5 | 5 |
| 1.05.160 | 160 | 260 | 99 | 12.5 | 4 |
| 1.05.200 | 200 | 330 | 122 | 12.5 | 1 |
| 1.05.225 | 225 | 380 | 137 | 12.5 | 1 |
| 1.05.250 | 250 | 390 | 151 | 12.5 | 1 |
| 1.05.280 | 280 | 480 | 168 | 12.5 | 1 |
| 1.05.315 | 315 | 625 | 188 | 12.5 | 1 |

Bend 90°

- Bocht 90°
- Bogen 90°
- Courbe 90°
- Curva 90°
- Curva 90°



R = 1.5d

| Art.code | d | Z | B | PN | Quantity |
|----------|----|------|----|----|----------|
| 2.20.020 | 20 | 30 | 16 | 16 | 100 |
| 2.20.025 | 25 | 37.5 | 19 | 16 | 100 |
| 2.20.032 | 32 | 48 | 22 | 16 | 100 |
| 2.20.033 | 32 | 48 | 22 | 10 | 100 |
| 2.20.040 | 40 | 60 | 26 | 16 | 100 |
| 2.20.041 | 40 | 60 | 26 | 10 | 100 |
| 2.20.050 | 50 | 75 | 31 | 16 | 50 |
| 2.20.051 | 50 | 75 | 31 | 10 | 50 |