



AAM

All Attitude Mounts

Vibration-isolating fasteners

The vibration-isolating fasteners (all-attitude mounts) of the AAM product group are maintenance-free and ready-to-install isolators that can reduce vibrations and shocks in all directions. The isolation effect is achieved by a special neoprene- or silicone-elastomer.

For applications in which shock absorption is particularly important, the AAMs can also be manufactured with high-damping silicone. The elements can be installed in all spatial axes. The AAM range is used mainly for isolating lighter electronic equipment and components.

Properties

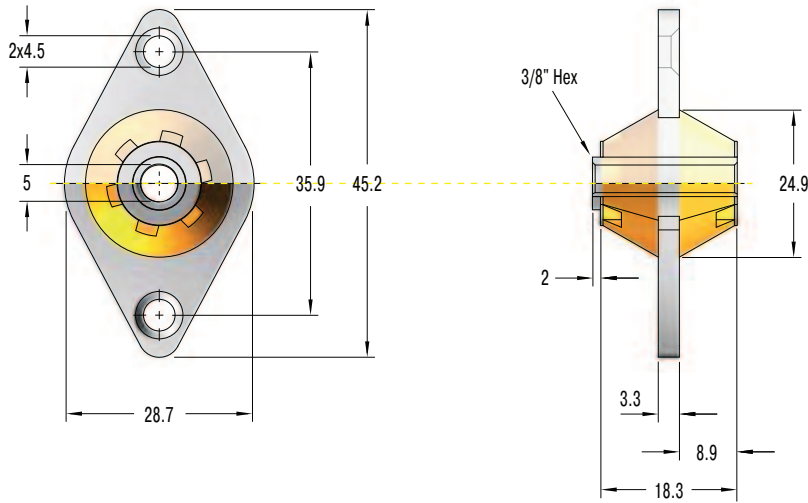
- Can be used in all spatial axes and inclinations
- Standard with neoprene
- Special applications with high-damping silicone possible
- Shock absorption possible

Areas of application

- Electronic equipment and control units
- Off-road
- Military



AAM-5642x

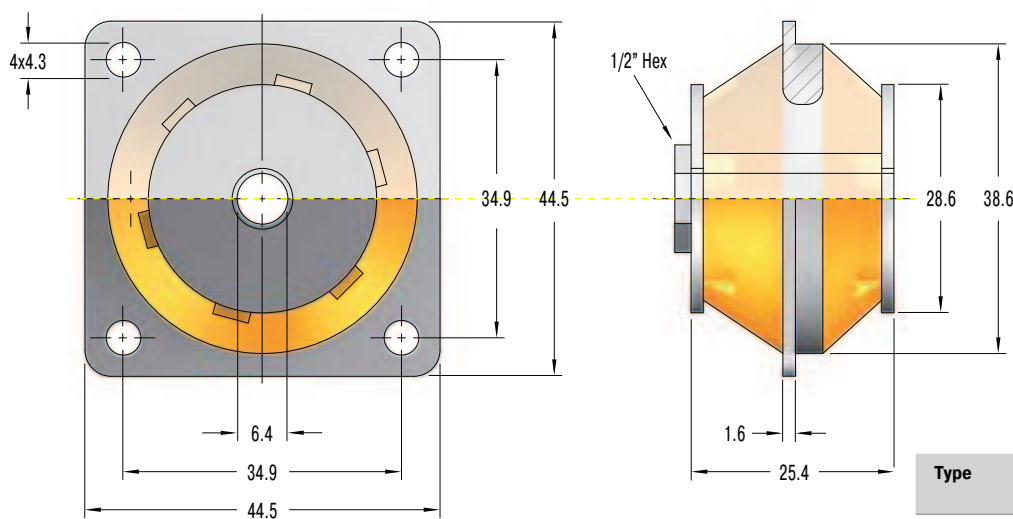


Type	Colour code*	Max. load kg
AAM-56423	grey	1.4
AAM-56424	red	2.0
AAM-56425	yellow	3.2
AAM-56426	green	4.5

* The colour code is for identifying the loading capacity. The products are marked in colour accordingly.

Damping Material: Silicone

AAM-5220x



Type	Colour code*	Max. load kg
AAM-52205	red	6.8
AAM-52206	green	11.3
AAM-52207	yellow	15.9
AAM-52208	blue	22.7

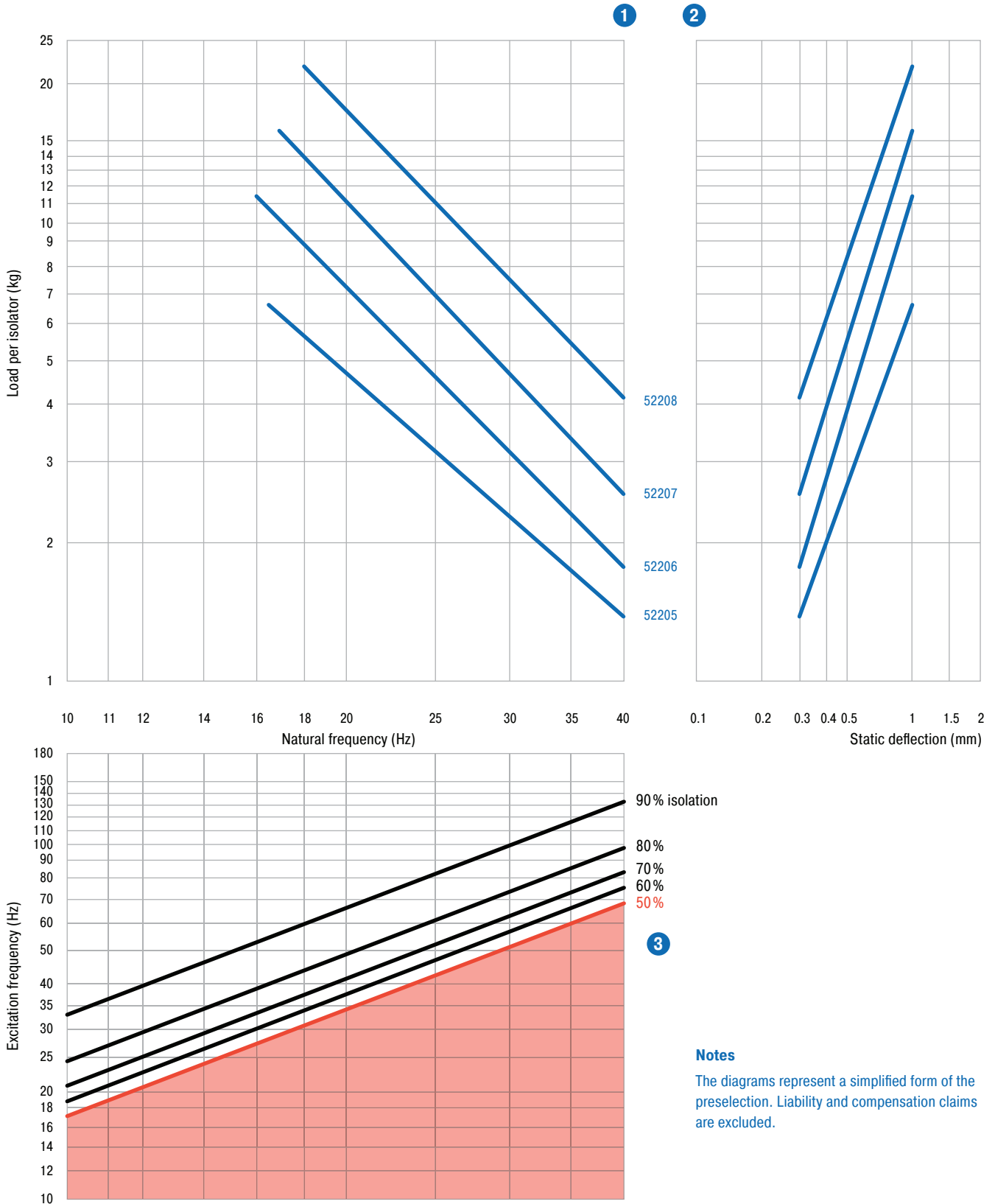
* The colour code is for identifying the loading capacity. The products are marked in colour accordingly.

Damping material: Neoprene, silicone alternatively available

AAM – All Attitude Mounts



AAM-5220x

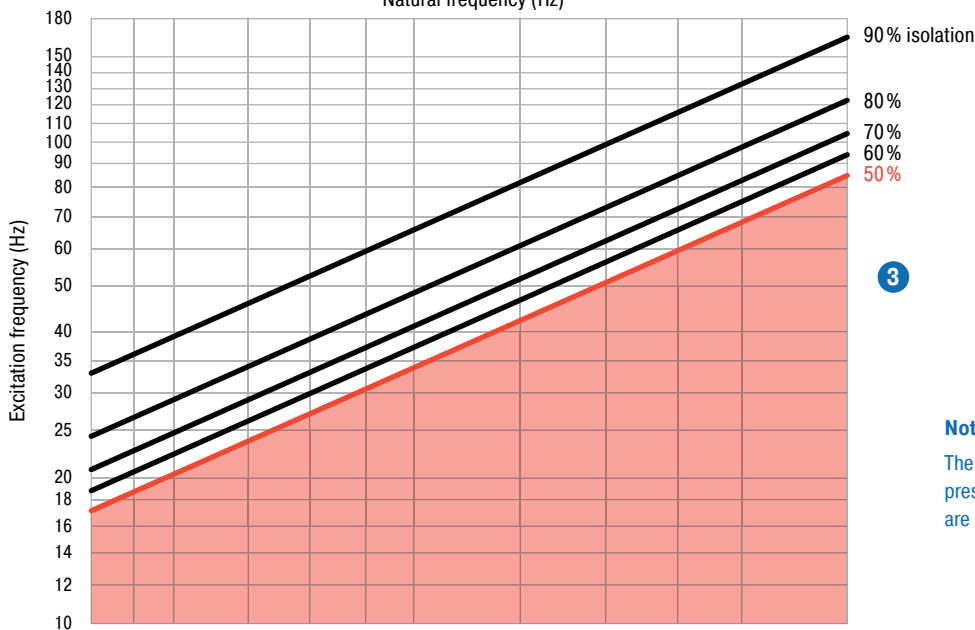
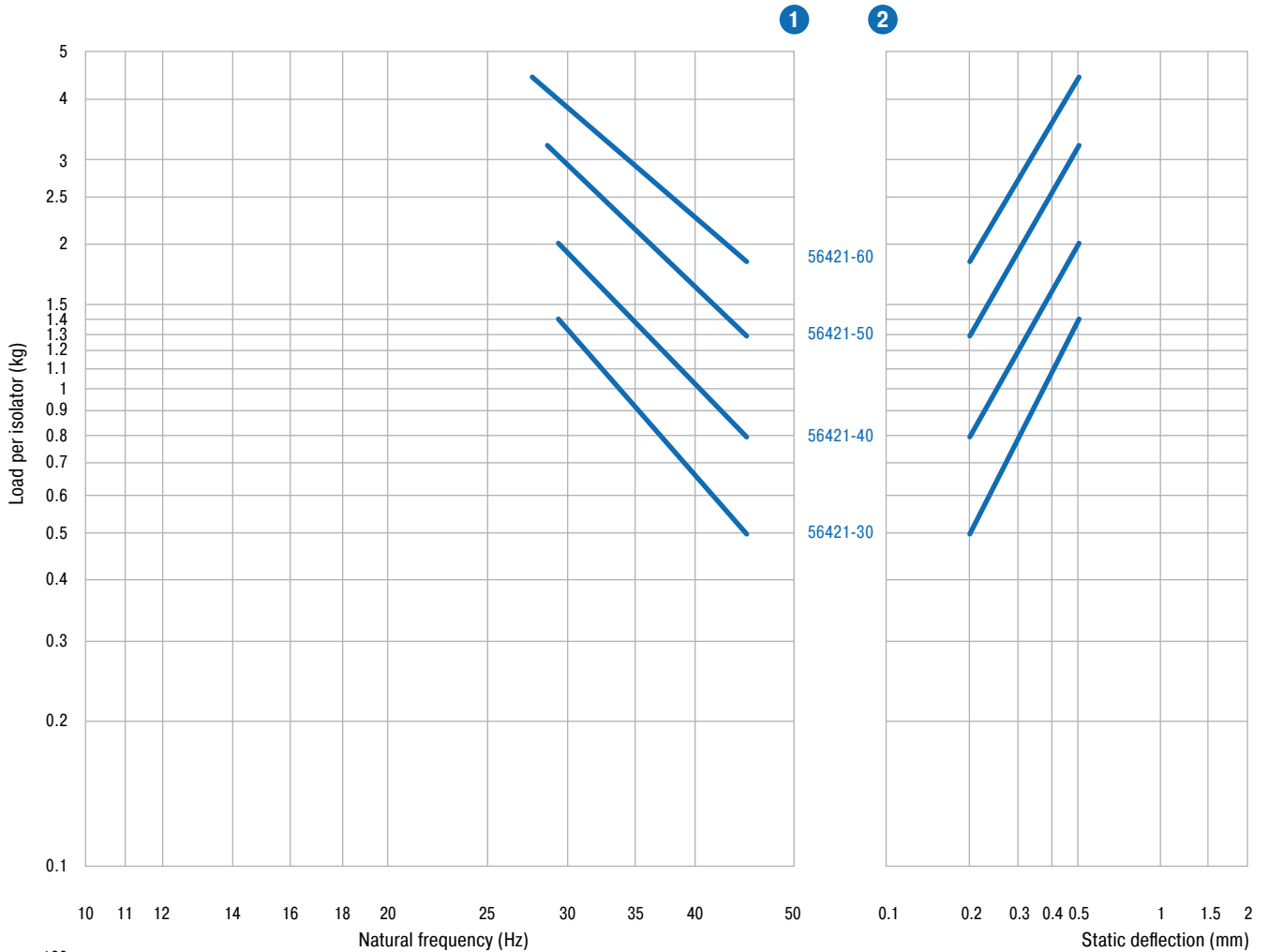


Notes

The diagrams represent a simplified form of the preselection. Liability and compensation claims are excluded.



AAM-5642x



Notes

The diagrams represent a simplified form of the preselection. Liability and compensation claims are excluded.