



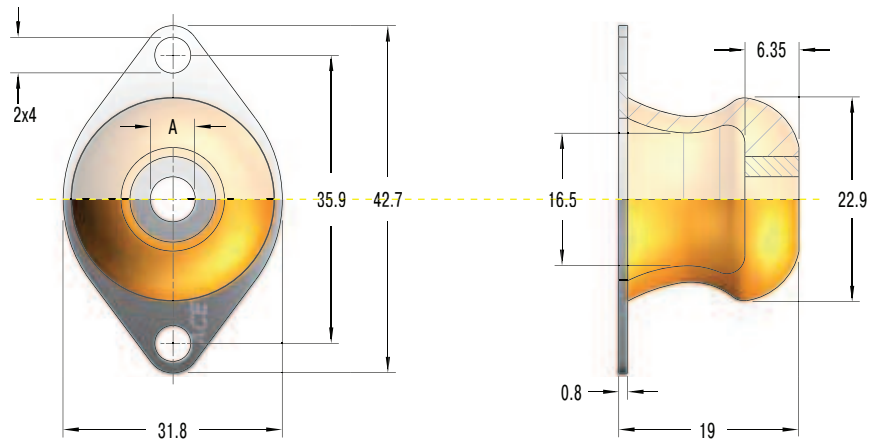
BM

Bubble Mounts

Low-frequency vibration isolators

The **BM low-frequency vibration dampers** are used to isolate small devices, electronic components and control units.

BMs are mainly used in vertical compressive stresses under load. They efficiently protect electronic or medical equipment against damaging vibrations and shocks.



BM-5064x BM-5068x

Properties

- Good shock absorption
- Low natural frequency
- Small, light design

Areas of application

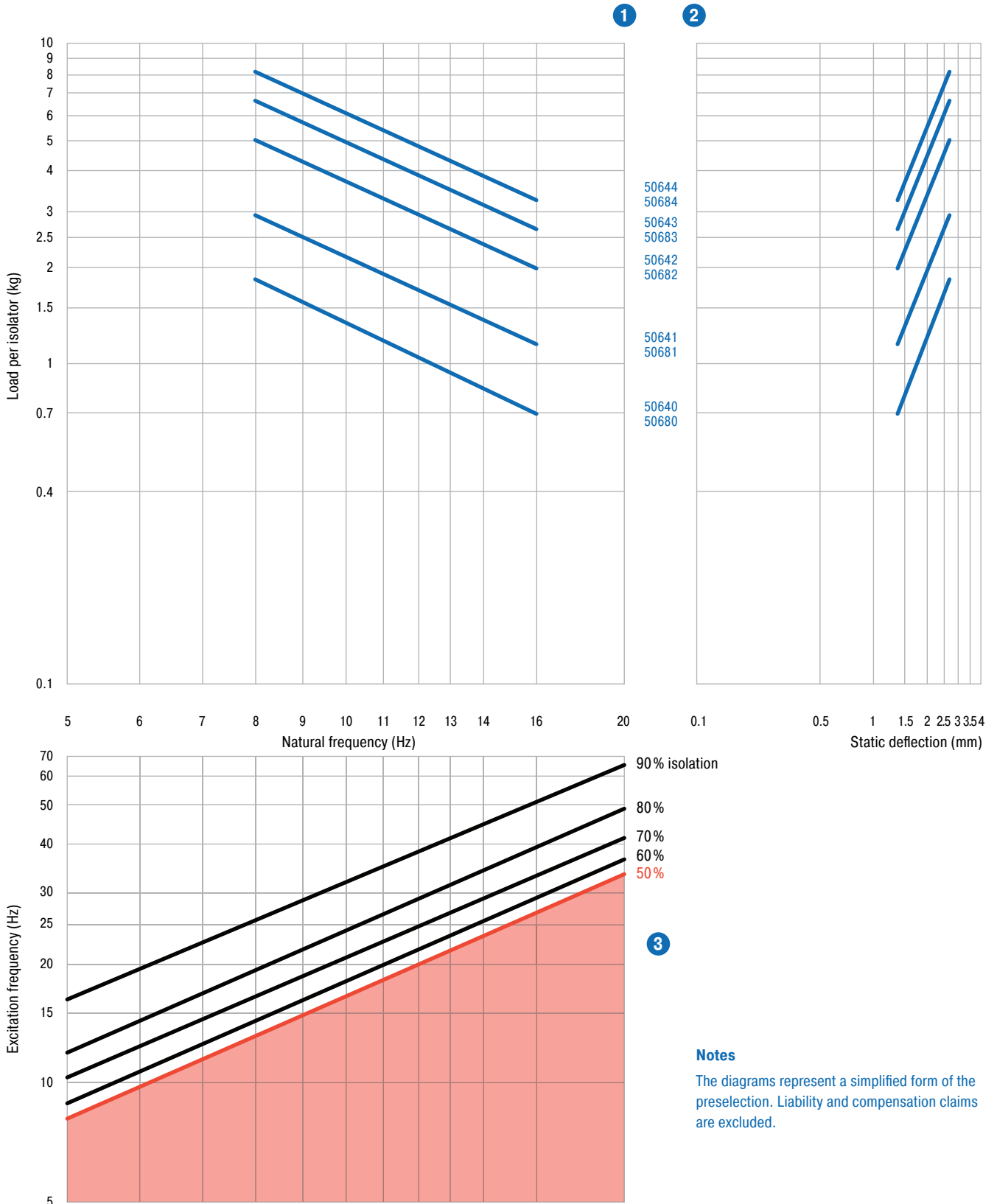
- Medical technology
- Computers
- Electronic equipment
- Aerospace

Type	Colour code*	Max. load kg	A mm
BM-50640	yellow	1.8	4.3
BM-50641	red	2.9	4.3
BM-50642	green	5.0	4.3
BM-50643	blue	6.8	4.3
BM-50644	white	8.2	4.3
BM-50680	yellow	1.8	6.5
BM-50681	red	2.9	6.5
BM-50682	green	5.0	6.5
BM-50683	blue	6.8	6.5
BM-50684	white	8.2	6.5

* The colour code is for identifying the loading capacity. The products are marked in colour accordingly.



BM-5064x / BM-5068x



Notes

The diagrams represent a simplified form of the preselection. Liability and compensation claims are excluded.