



COM

Compression Mounts

Pre-tensioned high-performance bearing surfaces

The COM compression mounts are pre-tensioned high-performance bearing surface elements for vertically isolating machines and plants. These extremely rugged elastomer bearing surfaces are primarily used in heavy-duty applications, such as in pumps and compressors.

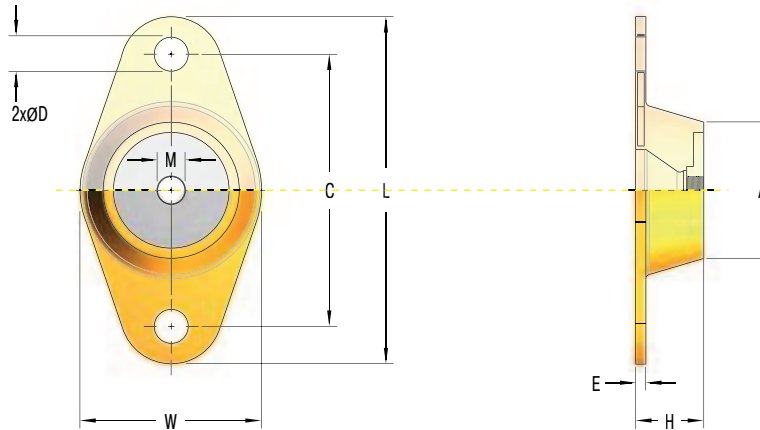
In their operating range, the COMs exhibit a low natural frequency of approx. 8 to 15 Hz and can when necessary be coupled for certain applications, whereby the natural system frequency can be further reduced to approx. 6 to 10 Hz (please refer to the selection diagram for more exact data). They are often used in situations in which unbalanced machine parts cause shocks and vibrations which can have a negative impact on the surrounding area. Disturbance frequencies from 900 min⁻¹ (15 Hz) are effectively isolated. With excitation frequencies of 25 Hz, the degree of isolation of the COMs is 90%. Through the use of the pre-tensioned high-performance bearing surfaces, structure-borne noise paths become interrupted, preventing the generation of resonant sound.

Properties

- Pre-tensioned to enhance efficiency
- Isolates structure-borne noise
- Low-frequency application range from about 15 Hz
- Rugged
- Maintenance-free

Areas of application

- Centrifuges
- Blowers
- Vibrators and crusher plants
- Compressors and ventilation systems
- Injection moulding systems
- Switch cabinets
- Military and off-road



COM-5250x / COM-5252x / COM-5254x



Type	Colour code*	Max. load kg	Thread M	L mm	W mm	H mm	A mm	C mm	D mm	E mm
COM-52501	blue	15.9	M8 X 1.25	79.4	44.5	25.4	31.8	60.3	8.7	4.8
COM-52502	black	20.4	M8 X 1.25	79.4	44.5	25.4	31.8	60.3	8.7	4.8
COM-52503	red	31.8	M8 X 1.25	79.4	44.5	25.4	31.8	60.3	8.7	4.8
COM-52504	green	54.4	M8 X 1.25	79.4	44.5	25.4	31.8	60.3	8.7	4.8
COM-52521	blue	61.2	M10 X 1.5	98.4	60.3	31.8	44.5	76.2	8.7	5.6
COM-52522	black	77.1	M10 X 1.5	98.4	60.3	31.8	44.5	76.2	8.7	5.6
COM-52523	red	108.9	M10 X 1.5	98.4	60.3	31.8	44.5	76.2	8.7	5.6
COM-52524	green	172.4	M10 X 1.5	98.4	60.3	31.8	44.5	76.2	8.7	5.6
COM-52525	grey	249.5	M10 X 1.5	98.4	60.3	31.8	44.5	76.2	8.7	5.6
COM-52541	black	113.4	M12 X 1.75	139.7	85.7	44.5	63.5	104.8	14.3	6.4
COM-52542	red	238.1	M12 X 1.75	139.7	85.7	44.5	63.5	104.8	14.3	6.4
COM-52543	green	340.2	M12 X 1.75	139.7	85.7	44.5	63.5	104.8	14.3	6.4
COM-52544	grey	499.0	M12 X 1.75	139.7	85.7	44.5	63.5	104.8	14.3	6.4

* The colour code is for identifying the loading capacity. The products are marked in colour accordingly.

COM-5251x / COM-5253x / COM-5255x



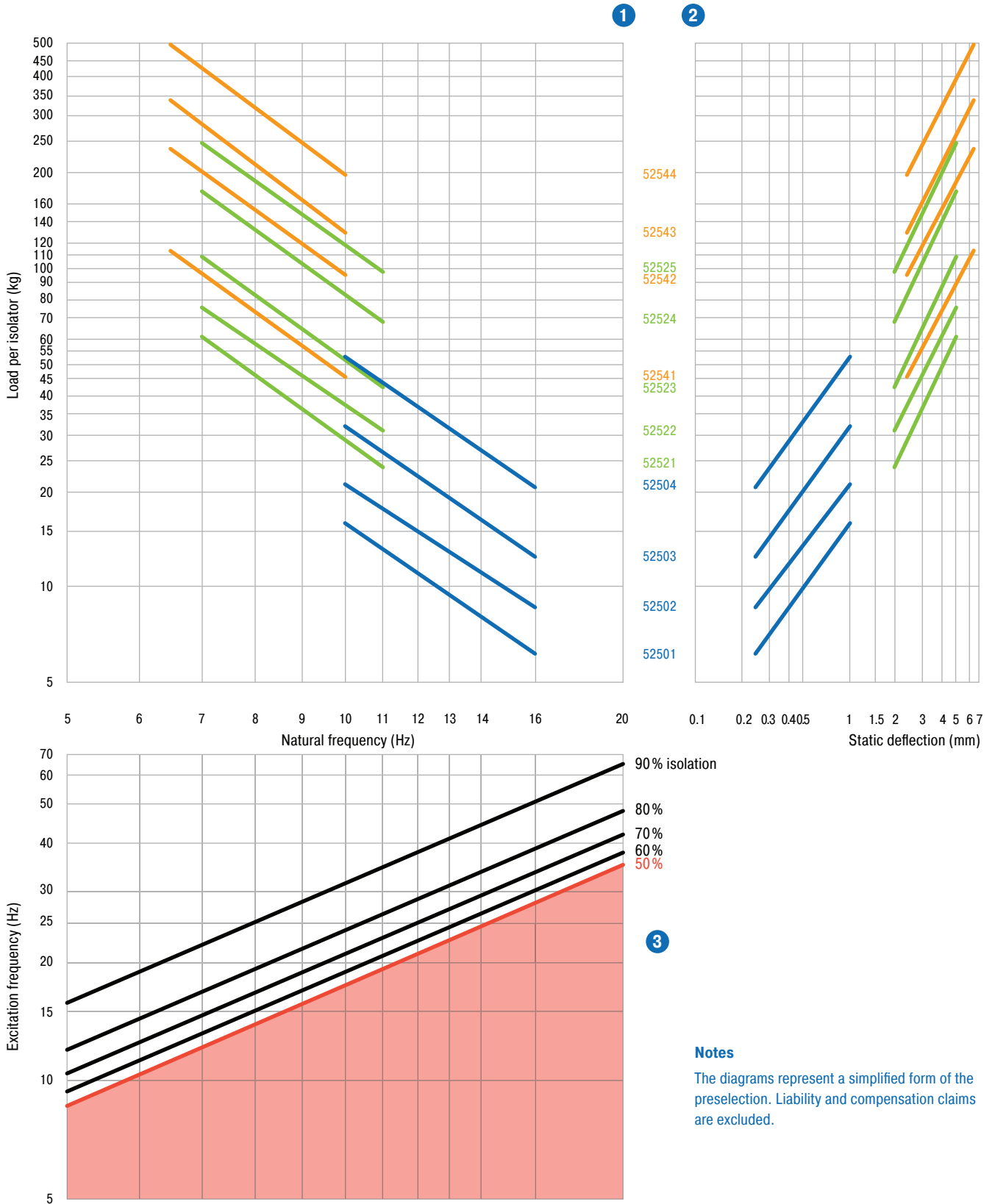
Type	Colour code*	Max. load kg	Thread M	L mm	W mm	H mm	A mm	C mm	D mm	E mm
COM-52511	blue	15.9	M8 X 1.25	79.4	44.5	31.8	31.8	60.3	8.7	4.8
COM-52512	black	20.4	M8 X 1.25	79.4	44.5	31.8	31.8	60.3	8.7	4.8
COM-52513	red	31.8	M8 X 1.25	79.4	44.5	31.8	31.8	60.3	8.7	4.8
COM-52514	green	54.4	M8 X 1.25	79.4	44.5	31.8	31.8	60.3	8.7	4.8
COM-52531	blue	61.2	M10 X 1.5	98.4	60.3	44.5	44.5	76.2	8.7	5.6
COM-52532	black	77.1	M10 X 1.5	98.4	60.3	44.5	44.5	76.2	8.7	5.6
COM-52533	red	108.9	M10 X 1.5	98.4	60.3	44.5	44.5	76.2	8.7	5.6
COM-52534	green	172.4	M10 X 1.5	98.4	60.3	44.5	44.5	76.2	8.7	5.6
COM-52535	grey	249.5	M10 X 1.5	98.4	60.3	44.5	44.5	76.2	8.7	5.6
COM-52551	black	113.4	M12 X 1.75	139.7	85.7	73	63.5	104.8	14.3	6.4
COM-52552	red	238.1	M12 X 1.75	139.7	85.7	73	63.5	104.8	14.3	6.4
COM-52553	green	340.2	M12 X 1.75	139.7	85.7	73	63.5	104.8	14.3	6.4
COM-52554	grey	499.0	M12 X 1.75	139.7	85.7	73	63.5	104.8	14.3	6.4

* The colour code is for identifying the loading capacity. The products are marked in colour accordingly.

COM – Compression Mounts



COM-5250x / COM-5252x / COM-5254x

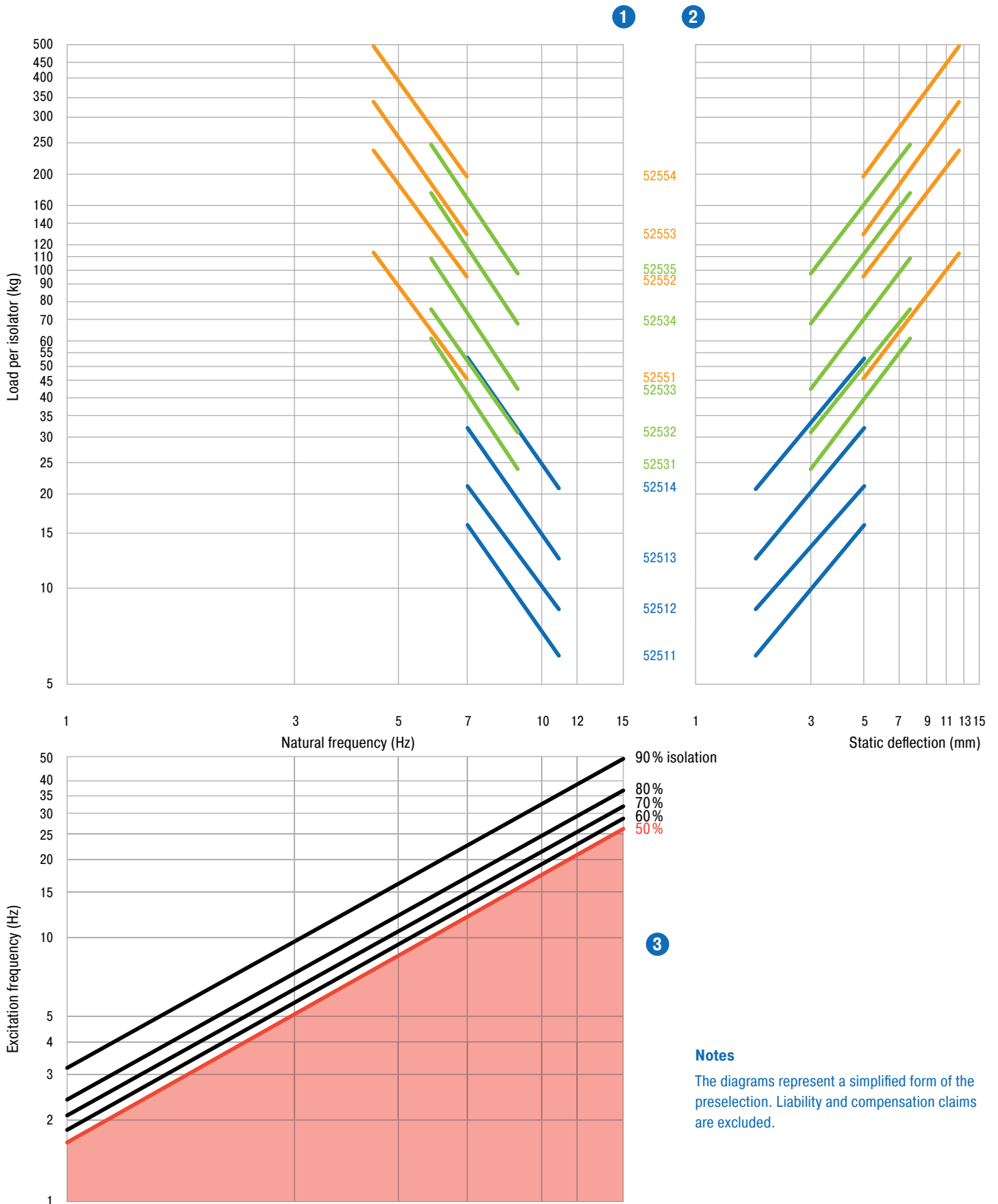


Notes

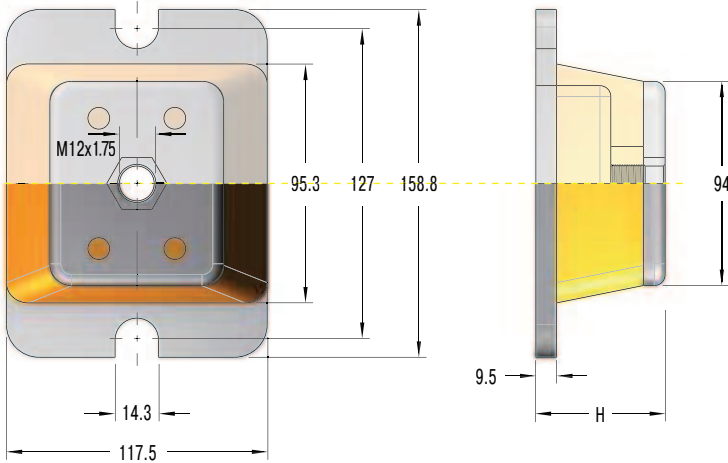
The diagrams represent a simplified form of the preselection. Liability and compensation claims are excluded.



COM-5251x / COM-5253x / COM-5255x



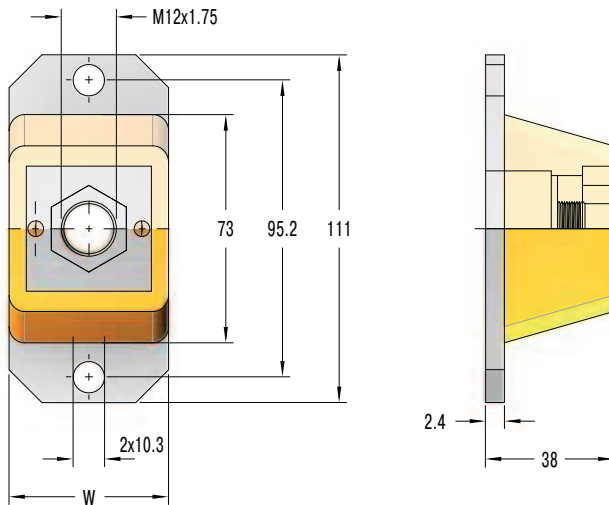
COM-5256x / COM-5257x



Type	Colour code*	Max. load kg	H mm
COM-52561	black	680.4	41.3
COM-52562	red	1020.6	41.3
COM-52563	green	1360.8	41.3
COM-52564	grey	1814.4	41.3
COM-52571	black	680.4	69.9
COM-52572	red	1020.6	69.9
COM-52573	green	1360.8	69.9
COM-52574	grey	1814.4	69.9

* The colour code is for identifying the loading capacity. The products are marked in colour accordingly.

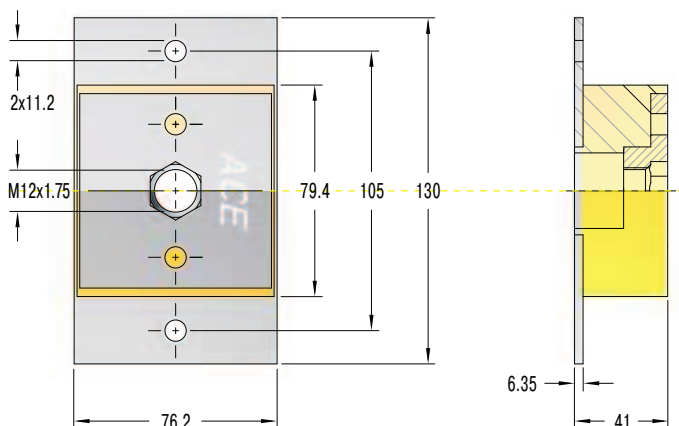
COM-5216x



Type	Colour code*	Max. load kg	W mm
COM-52160	yellow	27.2	50.8
COM-52161	red	45.4	50.8
COM-52162	green	68.0	50.8
COM-52163	blue	90.7	50.8
COM-52164	red	90.7	101.6
COM-52165	green	127.0	101.6
COM-52166	blue	226.8	101.6
COM-52167	white	317.5	101.6

* The colour code is for identifying the loading capacity. The products are marked in colour accordingly.

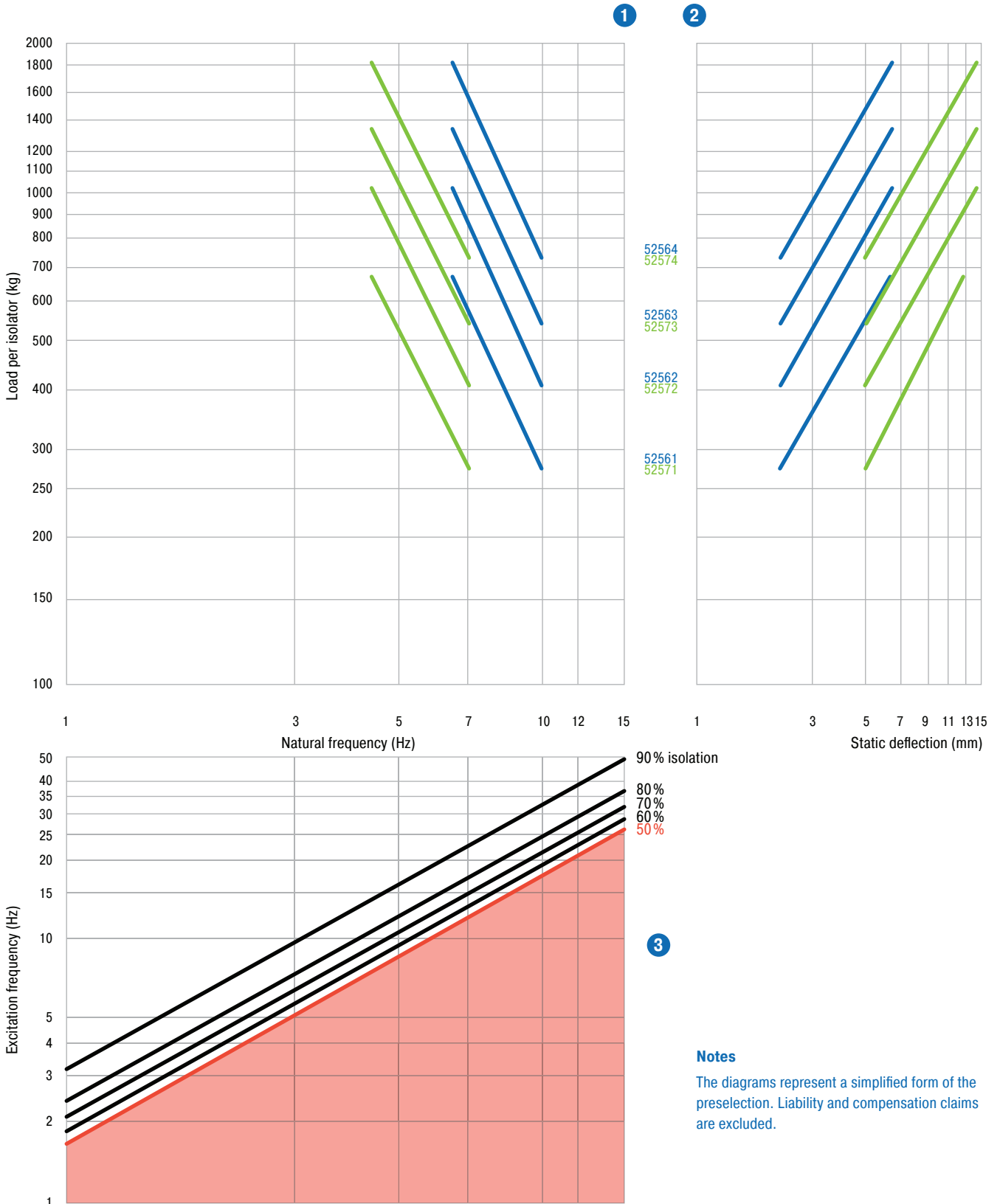
COM-5217x



Type	Colour code*	Max. load kg
COM-52171	red	317.5
COM-52172	green	453.6
COM-52173	blue	680.4
COM-52174	white	1134.0

* The colour code is for identifying the loading capacity. The products are marked in colour accordingly.

COM-5256x / 5257x



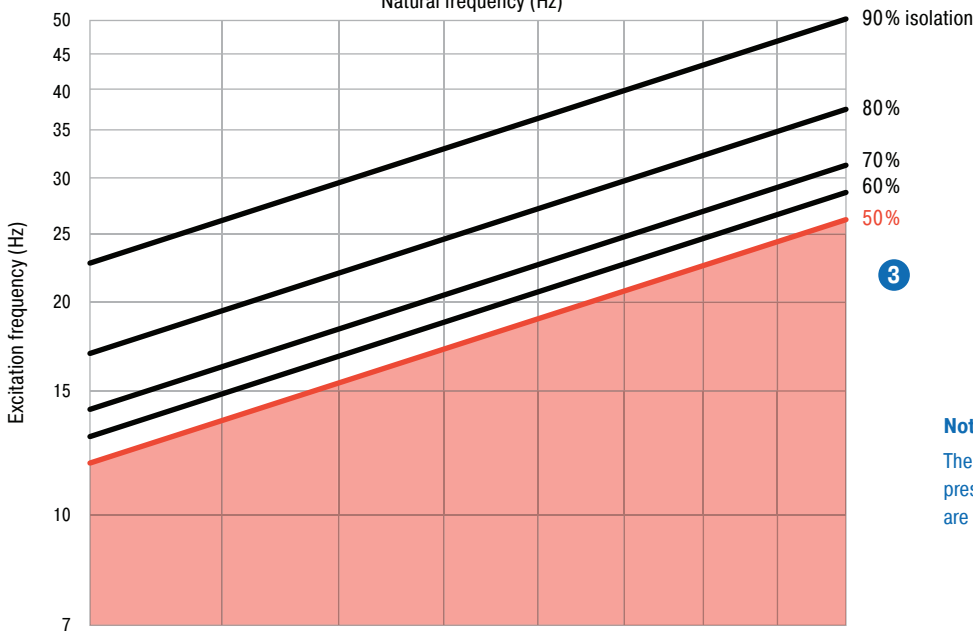
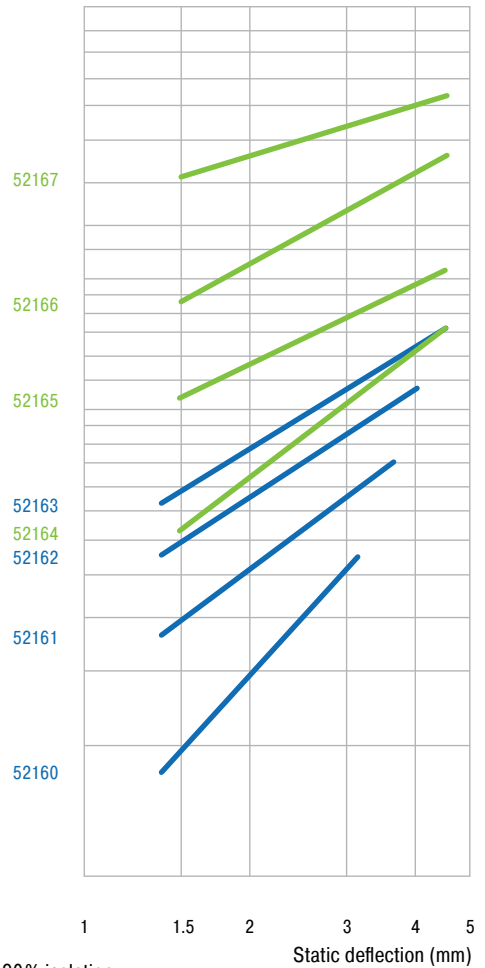
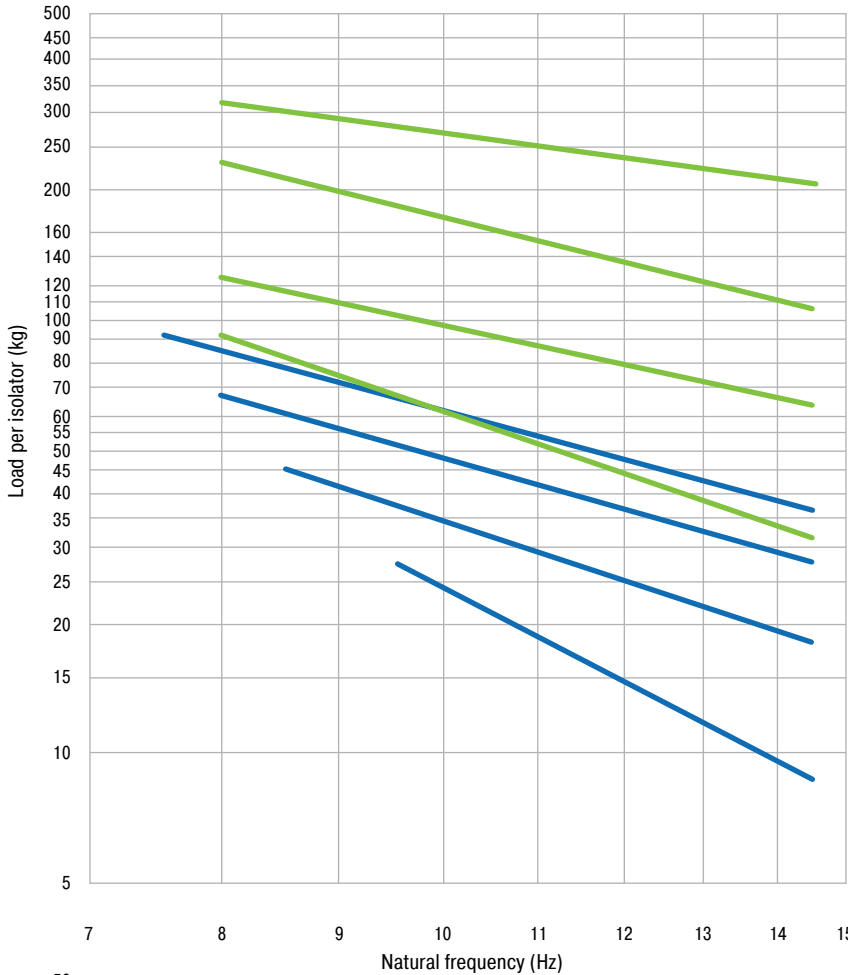
COM – Compression Mounts



COM-5216x

1

2



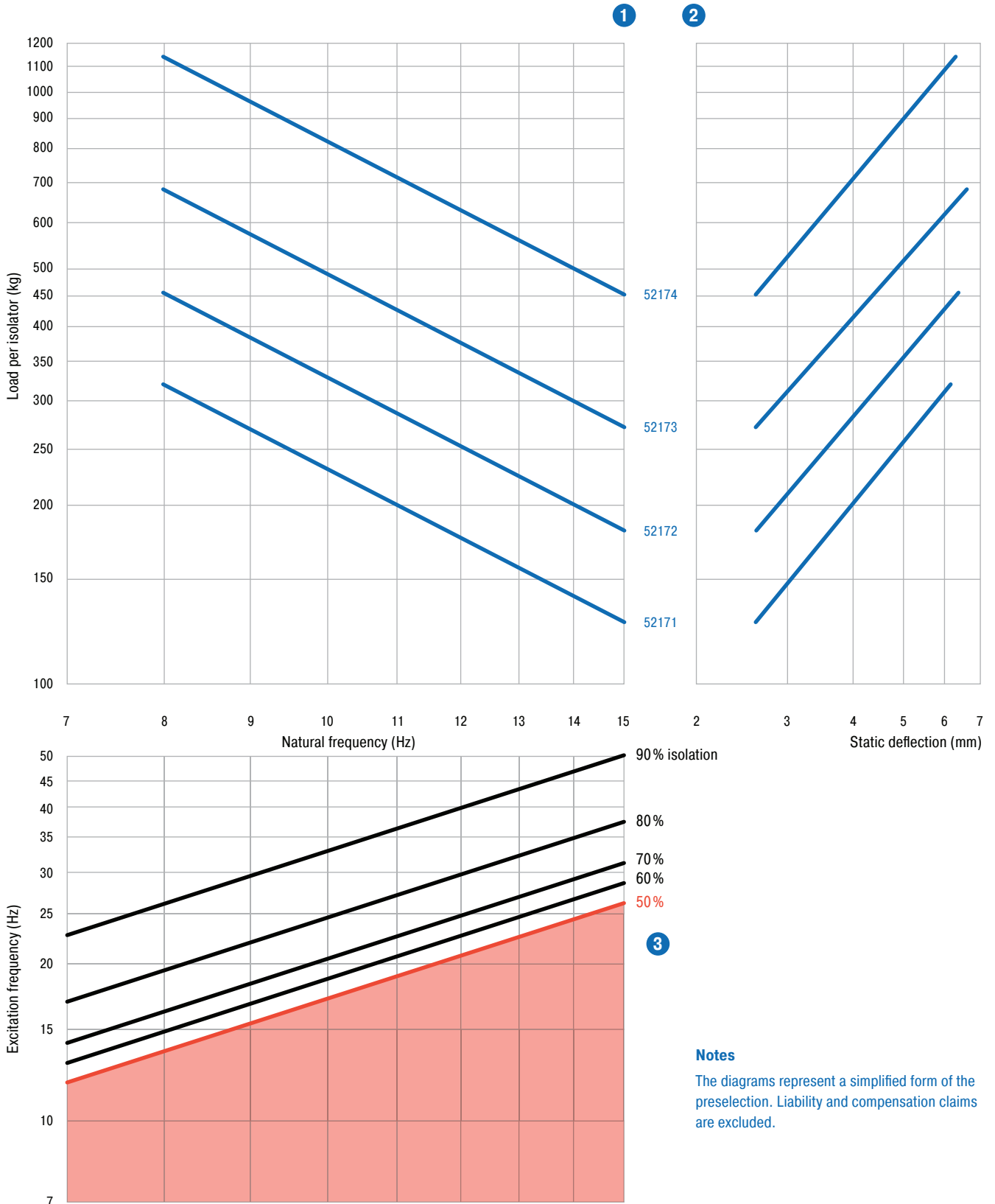
3

Notes

The diagrams represent a simplified form of the preselection. Liability and compensation claims are excluded.



COM-5217x



Notes

The diagrams represent a simplified form of the preselection. Liability and compensation claims are excluded.