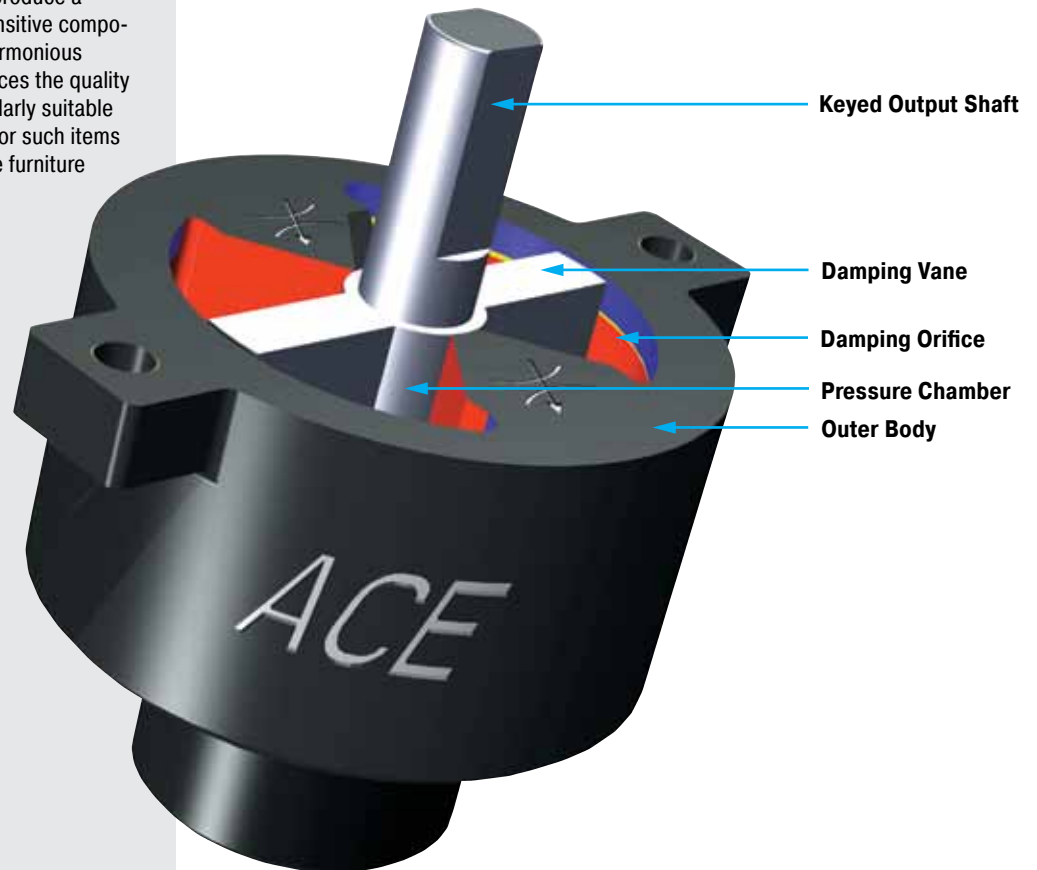
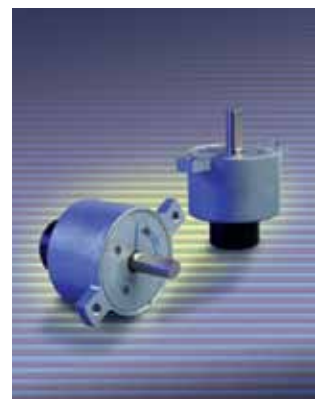


ACE rotary dampers are maintenance-free and ready to install. The damping direction of the adjustable rotary dampers with partial rotation angle can be clockwise, counter clockwise or both. The outer bodies are of die-cast zinc, and the shafts of steel. The dampers ensure the controlled opening and closing of hoods, covers or flaps. They can damp directly at the rotation point or by transmission via a pinion, in order to produce a smooth and even movement. Sensitive components remain unstressed. The harmonious gentle movement process enhances the quality and value of the product. Particularly suitable for flaps, covers, closing hoods for such items as printers and photocopiers, the furniture industry etc.

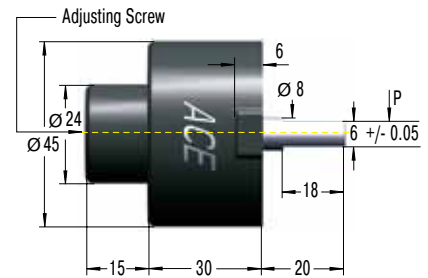
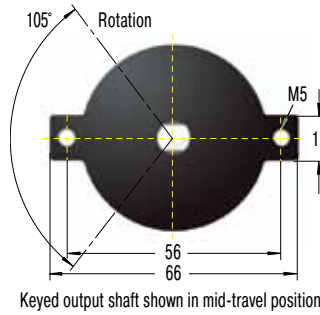
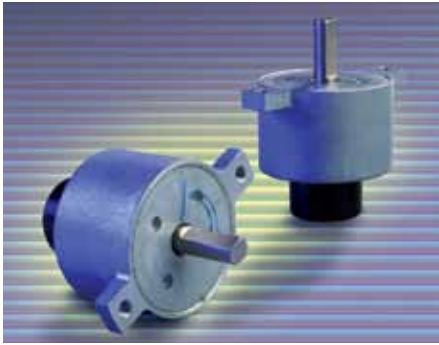


Function: In adjustable rotary dampers with partial rotation angle, the fluid is forced from one chamber into the other by adjustable orifices. The damping moment is determined by the viscosity of the fluid and the dimensioning of the orifice sizes. During the return movement of unidirectional dampers a small reverse damping moment is created, depending on the size. The damping moments specified in the catalogue always refer to the maximum moment calculated from the application to which the dampers can be stressed.

Note: In general, ACE rotary dampers are tested for a service life of 50 000 cycles. Even after this time, the dampers still produce over approx. 80% of their original damping moment. The service life may be significantly higher or lower, depending on the application. Much higher service lives have however been achieved in practice.



FYT-H1 and FYN-H1



Technical Data

Weight: 0.24 kg
Material: Zinc die-cast, steel shaft
Max. rotation angle: 105 °
Maximum side load: 50 N
Return damping torque: 0.5 Nm
Operating temperature range: -5 °C to 50 °C

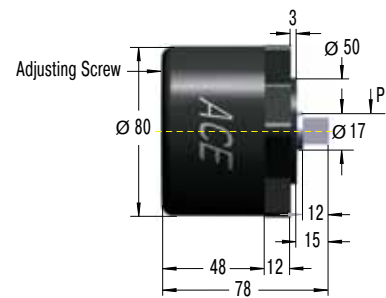
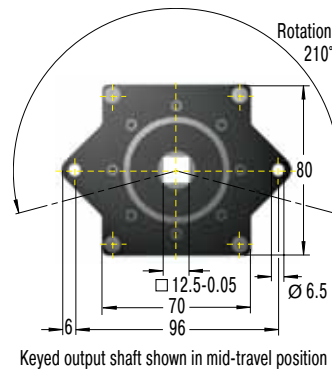
A play of approx. 5° can occur at the beginning of movement.
 Do not use damper as final end stop. Fit external mechanical stops at each end of travel.

Model Adjustable	
	Adjustable
Bidirectional Damping	Damping Torque Nm
FYT-H1	2 - 10

Model Adjustable	
	Adjustable
Right-Hand Damping (clockwise)	Damping Torque Nm
FYN-H1-R	2 - 10

Model Adjustable	
	Adjustable
Left-Hand Damping (anti-clockwise)	Damping Torque Nm
FYN-H1-L	2 - 10

FYT-LA3 and FYN-LA3



Technical Data

Weight: 1.75 kg
Material: Zinc die-cast, steel shaft
Max. rotation angle: 210 °
Maximum side load: 200 N
Return damping torque: 4 Nm
Operating temperature range: -5 °C to 50 °C

A play of approx. 5° can occur at the beginning of movement.
 Do not use damper as final end stop. Fit external mechanical stops at each end of travel.

Model Adjustable	
	Adjustable
Bidirectional Damping	Damping Torque Nm Nm
FYT-LA3	4 - 40

Model Adjustable	
	Adjustable
Right-Hand Damping (clockwise)	Damping Torque Nm
FYN-LA3-R	4 - 40

Model Adjustable	
	Adjustable
Left-Hand Damping (anti-clockwise)	Damping Torque Nm
FYN-LA3-L	4 - 40