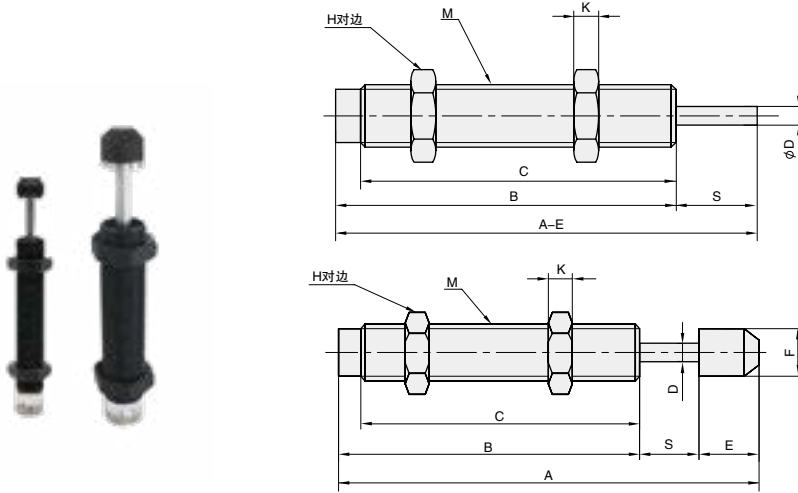


产品特点: 性能优异, 使用寿命较长, 吸收能量为固定值。



订购编号示例

1 代号 - 2 尺寸系列 - 3 速度类型 - 4 撞击头类型  
BAAD - 1007 - 1 - F

| 1 型号 | 2 尺寸系列 | 3 速度类型 | 4 撞击头类型                 | 最高<br>撞击<br>速度<br>(m/s) | 主要尺寸      |         |       |       |      |      |      |      |      |       | 最大<br>吸收<br>能量<br>Nm | 小时<br>吸收<br>能量<br>Nm | 最大<br>有效<br>重量<br>Kg | 工作温度<br>°C |
|------|--------|--------|-------------------------|-------------------------|-----------|---------|-------|-------|------|------|------|------|------|-------|----------------------|----------------------|----------------------|------------|
|      |        |        |                         |                         | S<br>(行程) | M       | A     | B     | C    | D    | E    | F    | H    | K     |                      |                      |                      |            |
| BAAD | 1007   | 1      | F (配聚氨酯撞击头)<br>N (无撞击头) | 4                       | 7         | M10x1.0 | 70.6  | 55    | 43   | 3    | 8.6  | 8.6  | 12.7 | 3     | 6                    | 12400                | 50                   | -45~+80    |
|      | 1210   | 1      |                         | 4                       | 10        | M12x1.0 | 85.5  | 64    | 52   | 3    | 9.5  | 10.3 | 14   | 4     | 10                   | 19000                | 70                   |            |
|      | 1410M  | 1      |                         | 4                       | 10        | M14x1.5 | 84    | 66    | 57.8 | 4    | 8    | 11   | 19   | 6     | 20                   | 22000                | 80                   |            |
|      |        |        |                         | 3                       |           |         |       |       |      |      |      |      |      |       |                      |                      | 150                  |            |
|      | 1410   | 1      |                         | 4                       | 10        | M14x1.5 | 105   | 84    | 72   | 4    | 11   | 12   | 19   | 6     | 20                   | 25000                | 80                   |            |
|      |        |        |                         | 3                       |           |         |       |       |      |      |      |      |      |       |                      |                      | 150                  |            |
|      | 1412   | 1      |                         | 4                       | 12        | M14x1.5 | 102   | 79    | 67   | 4    | 11   | 12   | 19   | 6     | 22                   | 25000                | 80                   |            |
|      |        |        |                         | 3                       |           |         |       |       |      |      |      |      |      |       |                      |                      | 190                  |            |
|      | 1415   | 1      |                         | 4                       | 15        | M14x1.5 | 110   | 84    | 72   | 4    | 11   | 12   | 19   | 6     | 23                   | 28000                | 80                   |            |
|      |        |        |                         | 3                       |           |         |       |       |      |      |      |      |      |       |                      |                      | 190                  |            |
|      | 1612   | 1      |                         | 4                       | 12        | M16x1.5 | 102   | 79    | 67   | 4    | 11   | 12   | 19   | 6     | 22                   | 28000                | 90                   |            |
|      |        |        |                         | 3                       |           |         |       |       |      |      |      |      |      |       |                      |                      | 200                  |            |
|      | 1620   | 1      |                         | 4                       | 20        | M16x1.5 | 129   | 98    | 86   | 4    | 11   | 12   | 19   | 6     | 25                   | 30000                | 100                  |            |
|      |        |        |                         | 3                       |           |         |       |       |      |      |      |      |      |       |                      |                      | 220                  |            |
|      | 2016M  | 1      |                         | 4                       | 16        | M20x1.5 | 127.8 | 96    | 80   | 4    | 15.8 | 17.8 | 26   | 8     | 28                   | 31000                | 200                  |            |
|      |        |        |                         | 3                       |           |         |       |       |      |      |      |      |      |       |                      |                      | 290                  |            |
|      | 2016   | 1      |                         | 4                       | 16        | M20x1.5 | 148.8 | 117   | 101  | 6    | 15.8 | 17.8 | 26   | 8     | 28                   | 35000                | 220                  |            |
|      |        |        |                         | 3                       |           |         |       |       |      |      |      |      |      |       |                      |                      | 320                  |            |
|      | 2020   | 1      |                         | 4                       | 20        | M20x1.5 | 139.3 | 103.5 | 87.5 | 6    | 15.8 | 17.8 | 26   | 8     | 40                   | 42000                | 300                  |            |
|      |        |        |                         | 3                       |           |         |       |       |      |      |      |      |      |       |                      |                      | 390                  |            |
| 2025 | 1      | 4      | 25                      | M20x1.5                 | 157.8     | 117     | 101   | 6     | 15.8 | 17.8 | 26   | 8    | 45   | 45000 | 350                  |                      |                      |            |
|      |        | 3      |                         |                         |           |         |       |       |      |      |      |      |      |       | 455                  |                      |                      |            |
| 2525 | 1      | 4      | 25                      | M25x1.5                 | 163       | 118.5   | 103   | 6     | 19.5 | 22   | 32   | 10   | 85   | 54000 | 400                  |                      |                      |            |
|      |        | 3      |                         |                         |           |         |       |       |      |      |      |      |      |       | 620                  |                      |                      |            |
| 2530 | 1      | 4      | 30                      | M25x1.5                 | 168       | 118.5   | 103   | 8     | 19.5 | 22   | 32   | 10   | 95   | 60000 | 400                  |                      |                      |            |
|      |        | 3      |                         |                         |           |         |       |       |      |      |      |      |      |       | 720                  |                      |                      |            |
| 2725 | 1      | 4      | 25                      | M27x1.5                 | 155.5     | 111     | 91.8  | 8     | 19.5 | 22   | 32   | 10   | 85   | 70000 | 500                  |                      |                      |            |