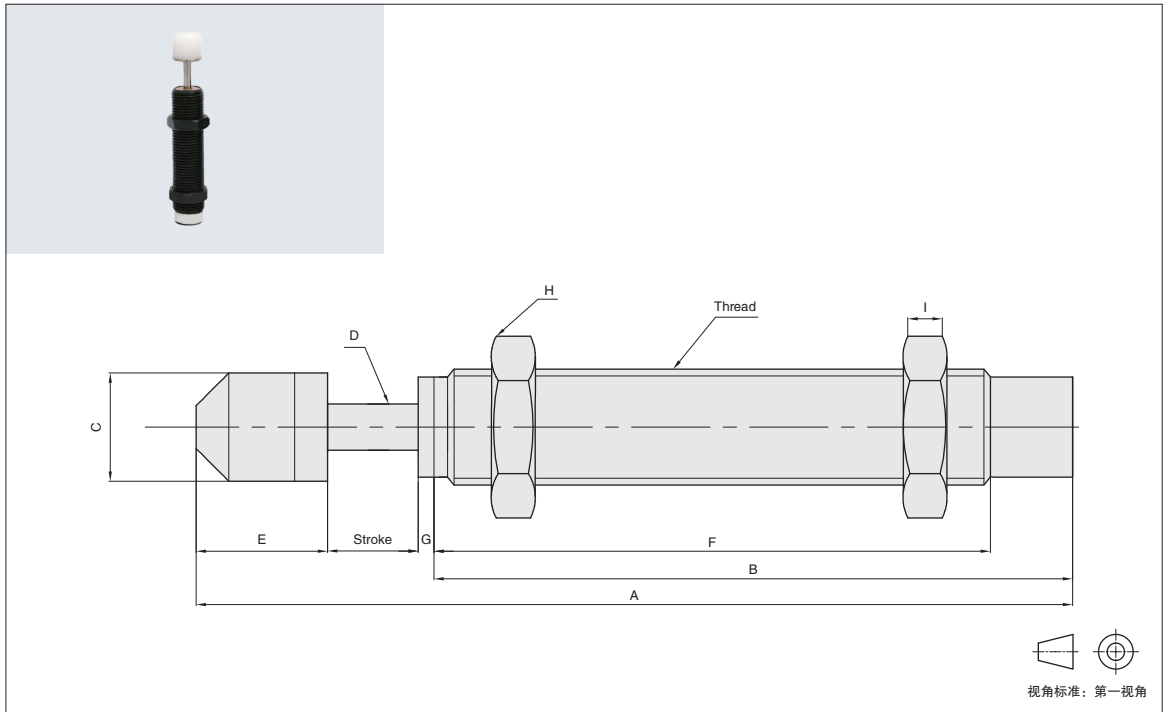


缓冲器



①型号

BACA0806-2

订购编号示例

①型号	行程(mm)	每次最大吸收能量(kgf.m)	有效重量(kg)	冲击速度(m/s)	每小时吸收能量(Nm)	使用温度(°C)	重量(g)
BACA0806-1	6	1.8	0.8-5.6	2	1200	-10~+80	13.5
BACA0806-2			2.0-10	1.2	1200	-10~+80	13.5
BACA0806-3			5.5-22	0.8	1200	-10~+80	13.5
BACA1007-1	7	6	1.2-10	3	8000	-10~+80	27
BACA1007-2			1.3-12	2.5	8000	-10~+80	27
BACA1007-3			2-14	2	8000	-10~+80	27
BACA1210-1	10	6	1.8-12	2.6	10000	-10~+80	38
BACA1210-2			5.3-18.7	1.5	10000	-10~+80	38
BACA1210-3			12-75	0.8	10000	-10~+80	38
BACA1412-1	12	16	0.4-32	2.6	30000	-10~+80	72
BACA1412-2			14-50	1.5	30000	-10~+80	72
BACA1412-3			56-200	0.8	30000	-10~+80	72
BACA2020-1	20	35	9-36	3.2	42000	-10~+80	208
BACA2020-2			23-92	2.0	42000	-10~+80	208
BACA2020-3			64-575	1.2	42000	-10~+80	208

①型号	螺纹公称	行程(mm)	A	B	C	D	E	F	G	H	I
BACA0806-1	M8×1.0	6	51.6	38.6	6.6	2.9	6	33.6	1	11	4
BACA0806-2			51.6	38.6	6.6	2.9	6	33.6	1	11	4
BACA0806-3			51.6	38.6	6.6	2.9	6	33.6	1	11	4
BACA1007-1	M10×1.0	7	65.3	48	8.8	2.9	8.8	43	1.5	12.7	4
BACA1007-2			65.3	48	8.8	2.9	8.8	43	1.5	12.7	4
BACA1007-3			65.3	48	8.8	2.9	8.8	43	1.5	12.7	4
BACA1210-1	M12×1.0	10	74.5	53.5	10.5	3	11	49		14	5
BACA1210-2			74.5	53.5	10.5	3	11	49		14	5
BACA1210-3			74.5	53.5	10.5	3	11	49		14	5
BACA1412-1	M14×1.5	12	91.5	68.5	12	4	11	63.5		19	5
BACA1412-2			91.5	68.5	12	4	11	63.5		19	5
BACA1412-3			91.5	68.5	12	4	11	63.5		19	5
BACA2020-1	M20×1.5	20	128.3	92.3	17.8	6	16	85.3		26	8
BACA2020-2			128.3	92.3	17.8	6	16	85.3		26	8
BACA2020-3			128.3	92.3	17.8	6	16	85.3		26	8