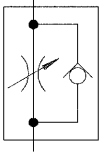


No. 6916-12

Throttle/Check Valve

cartridge flange
max. operating pressure 350 bar.



Order no.	Article no.	A max.	C	D	dia. E	SW	Md max. [Nm]	Q max. [l/min]	G	Weight [g]
326579	6916-12-01	20,7	11,1	15,16	15,9	14	27	5,7	G1/8	47
326611	6916-12-04	20,9	11,2	18,72	21,0	19	47	5,7	G1/4	47

Design:

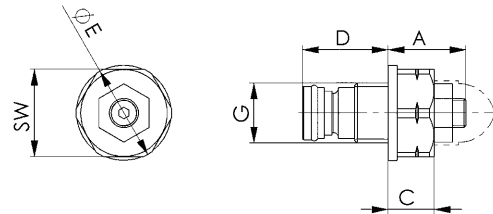
Housing made of steel, hardened and blued. Compact size.

Application:

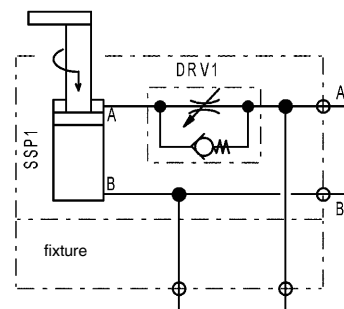
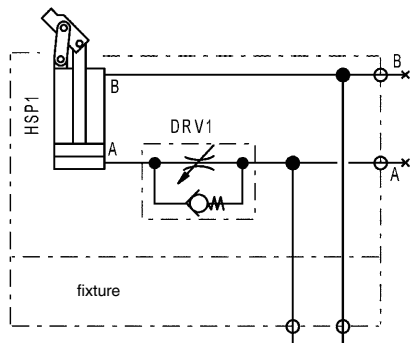
For single and double-acting loads. The traversing speed can be set by controlling the flow.

Note:

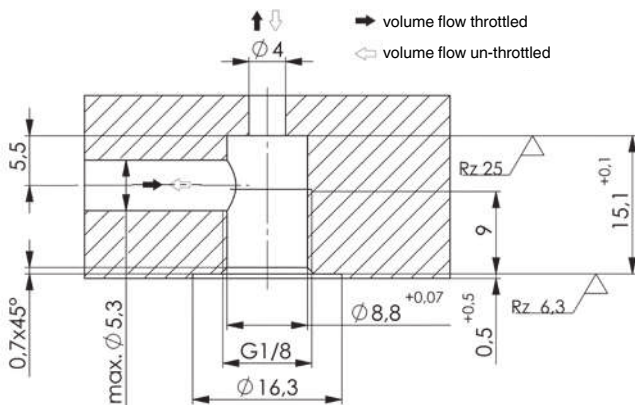
The screw-in throttle check valve is screwed into the installation bore.
The upstream pressure relief valve in the hydraulic control guarantees to drain the surplus volume.
The throttle check valves should preferably be used for feed control.
Return flow control poses the risk of excess pressure.



Application examples for feed controls:



Installation dimensions 6916-12-01:



Installation dimensions 6916-12-04:

