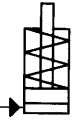


No. 6933

Threaded Cylinder, piston rod with internal thread

single acting, spring return,
max. operating pressure 500 bar.



CAD

Order no.	Article no.	Push force at 100 bar [kN]	Push force at 500 bar [kN]	Stroke H [mm]	Vol. [cm ³]	Piston dia. [mm]	Piston area [cm ²]	Md max. [Nm]	Spring force min. [N]	Weight [g]
60004	6933-05	1,1	5,5	8	0,9	12	1,1	90	35	120
60012	6933-08	2,0	10,0	10	2,0	16	2,0	110	70	200
60020	6933-12	3,0	15,0	10	3,1	20	3,1	120	115	370
60038	6933-20	5,0	24,5	12	5,9	25	4,9	130	160	510
61176	6933-32	8,0	40,0	12	9,6	32	8,0	150	240	750

Design:

Cylinder barrel from steel, burnished with hex nut. Piston and piston rod case hardened and ground. Wiper at piston rod. Built-in return spring. Sintered bronze breather. Attachment with standard fine thread. Sealing by sealing edge, see „Notes“. Oil supply via oil channel in fixture body.

Application:

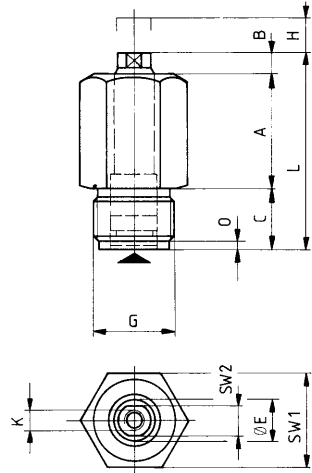
Ideal for clamping bars for tolerance compensation in multiple fixtures and for positioning, clamping or discharging workpieces.

Features:

Small dimensions, can be installed closely spaced side-by-side. The cylinders must be screwed into the fixture body up to the hexagon.

Note:

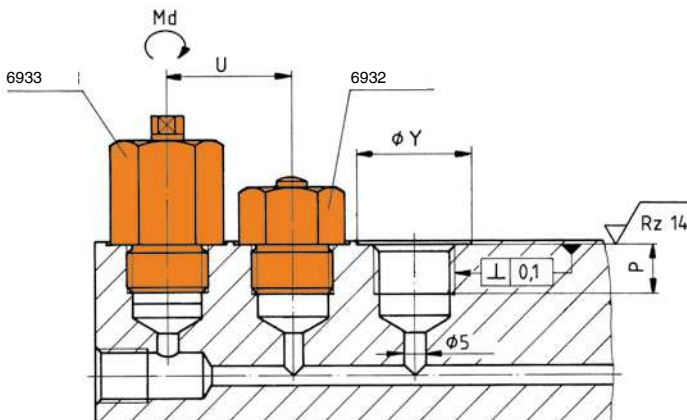
The screw-in cylinders cannot be loaded in the retracted position. For single acting cylinder types, there is a risk of sucking in liquid. The cylinders must be protected against direct penetration of cutting and cooling liquids. The built-in sintered bronze filter should be protected by appropriate arrangement or by a cover. Sealing by sealing edge. For the locating hole, the sealing surface must be at right angles to the thread, flat and not hardened.



Dimensions:

Order no.	Article no.	A	B	C	dia. E	G	K x depth	L	O	P +1	SW1	SW2	U min.	dia. Y
60004	6933-05	25	6	15	8	M20x1,5	M4x10	46	3	12	24	6	30	29
60012	6933-08	34	6	18	10	M24x1,5	M5x12	58	3	15	27	8	34	33
60020	6933-12	34	6	21	12	M30x1,5	M6x14	61	3	18	36	9	44	43
60038	6933-20	35	8	23	16	M36x1,5	M8x17	66	3	20	41	13	50	49
61176	6933-32	35	9	25	16	M42x1,5	M8x17	69	3	22	50	13	61	60

Installation dimensions:



Subject to technical alterations.