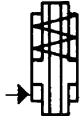


No. 6935

Hollow Rod Cylinder with internal thread

Single acting, with spring return,
max. operating pressure 350 bar.



CAD

| Order no. | Article no. | push-pull force VH 100 bar [kN] | push-pull force VH 350 bar [kN] | Stoke B [mm] | Vol. [cm ³] | effective piston area [cm ²] | Weight [g] |
|-----------|-------------|---------------------------------------|---------------------------------------|-----------------|----------------------------|---|---------------|
| 67850 | 6935-20 | 5,8 | 20,6 | 6,5 | 3,8 | 5,9 | 572 |
| 67876 | 6935-30 | 8,4 | 29,7 | 9,5 | 8,1 | 8,5 | 940 |
| 67892 | 6935-53 | 15,2 | 53,2 | 12,5 | 19,3 | 15,2 | 1837 |

VH = work stroke, RH = back stroke

Design:

Cylinder barrel from steel, hardened and burnished. Piston and piston rod case hardened and ground. Piston rod with through-hole and internal thread. Wiper at piston rod. Return spring from stainless steel. Oil supply via threaded port.

Application:

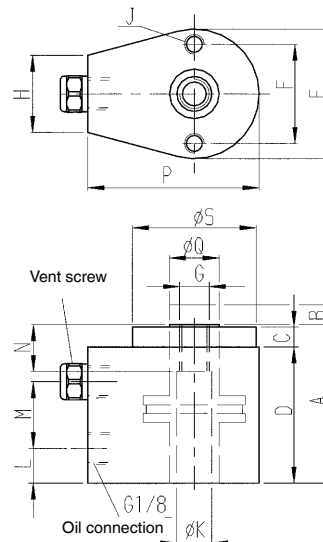
Particularly suitable to retrofit existing mechanical fixtures for hydraulic actuation. The hollow cylinder can be operated as push or pull cylinder. Universal cylinder for clamping, pushing, locking and punching.

Features:

Clamping cylinder with tapped piston rod. Tapped piston rod ends allow the use of custom end attachments.

Note:

For single acting cylinders there is the risk of sucking in coolant through the breather port. Therefore, the sinter metal breather has to be protected e.g. by cover plates from direct access of coolant. The system has to be completely vented thoroughly during installation.



Dimensions:

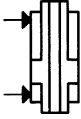
| Order no. | Article no. | A | C | D | E | F | G | H | J x depth | dia. K | L | M | N | P | dia. Q | dia. S |
|-----------|-------------|------|-----|------|------|----|-----|------|-----------|--------|----|------|----|----|--------|--------|
| 67850 | 6935-20 | 51,0 | 7,0 | 43,5 | 41,5 | 32 | M10 | 28,5 | M6x6 | 10,5 | 12 | 20,5 | 15 | 55 | 16,0 | 39,5 |
| 67876 | 6935-30 | 63,5 | 7,0 | 56,5 | 49,5 | 36 | M12 | 24,5 | M8x8 | 13,5 | 18 | 25,5 | 15 | 62 | 19,0 | 47,5 |
| 67892 | 6935-53 | 76,0 | 9,5 | 66,0 | 64,5 | 50 | M16 | 25,0 | M10x13 | 16,5 | 23 | 30,0 | 18 | 76 | 25,5 | 63,5 |

Subject to technical alterations.

No. 6935D

Hollow Rod Cylinder with internal thread

Double-acting,
max. operating pressure 350 bar.



| Order no. | Article no. | push-pull force VH 100 bar [kN] | push-pull force VH 350 bar [kN] | push-pull force RH at 100 bar [kN] | push-pull force RH at 350 bar [kN] | Stroke B [mm] | Vol. [cm ³] | effective piston area [cm ²] | Weight [g] |
|-----------|-------------|---------------------------------|---------------------------------|------------------------------------|------------------------------------|---------------|-------------------------|--|------------|
| 67918 | 6935D-20 | 5,8 | 20,6 | 5,8 | 20,6 | 6,5 | 3,8 | 5,9 | 572 |
| 67934 | 6935D-30 | 8,4 | 29,7 | 8,4 | 29,7 | 9,5 | 8,1 | 8,5 | 940 |
| 67959 | 6935D-53 | 15,2 | 53,2 | 15,2 | 53,2 | 12,5 | 19,3 | 15,2 | 1837 |

VH = work stroke, RH = back stroke

Design:

Cylinder barrel from steel, hardened and burnished. Piston and piston rod case hardened and ground. Piston rod with through-hole and internal thread. Wiper at piston rod. Return spring from stainless steel. Oil supply via threaded port.

Application:

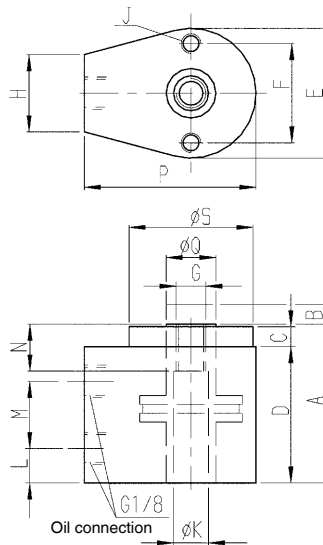
Particularly suitable to retrofit existing mechanical fixtures for hydraulic actuation. The hollow cylinder can be operated as push or pull cylinder. Universal cylinder for clamping, pushing, locking and punching.

Features:

Clamping cylinder with tapped piston rod. Tapped piston rod ends allow the use of custom end attachments.

Note:

For single acting cylinders there is the risk of sucking in coolant through the breather port. Therefore, the sinter metal breather has to be protected e.g. by cover plates from direct access of coolant. The system has to be completely vented thoroughly during installation.



Dimensions:

| Order no. | Article no. | A | C | D | E | F | G | H | J x depth | dia. K | L | M | N | P | dia. Q | dia. S |
|-----------|-------------|------|-----|------|------|----|-----|------|-----------|--------|----|------|----|----|--------|--------|
| 67918 | 6935D-20 | 51,0 | 7,0 | 43,5 | 41,5 | 32 | M10 | 28,5 | M6x6 | 10,5 | 12 | 20,5 | 15 | 55 | 16,0 | 39,5 |
| 67934 | 6935D-30 | 63,5 | 7,0 | 56,5 | 49,5 | 36 | M12 | 24,5 | M8x8 | 13,5 | 18 | 25,5 | 15 | 62 | 19,0 | 47,5 |
| 67959 | 6935D-53 | 76,0 | 9,5 | 66,0 | 64,5 | 50 | M16 | 25,0 | M10x13 | 16,5 | 23 | 30,0 | 18 | 76 | 25,5 | 63,5 |