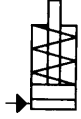


No. 6936

Block Cylinder

Single acting, with spring return,
max. operating pressure 350 bar.



Order no.	Article no.	Push force		Stoke B [mm]	Vol. [cm ³]	Piston area [cm ²]	Weight [g]
		at 100 bar [kN]	at 350 bar [kN]				
68023	6936-10-1	2,88	10,1	6,5	1,9	2,9	463
68049	6936-10-2	2,88	10,1	19,0	5,7	2,9	653
68056	6936-18-1	5,08	17,8	12,5	6,5	5,1	880
68072	6936-18-2	5,08	17,8	25,5	13,0	5,1	1061
68098	6936-18-3	5,08	17,8	51,0	26,0	5,1	1442
68114	6936-40-1	11,40	39,9	12,5	14,5	11,4	1270
68130	6936-40-2	11,40	39,9	25,5	29,0	11,4	1506

Design:

Hardened and burnished steel cylinder barrels. Piston and piston rod case hardened and ground. Piston rod with internal thread. Wiper at piston rod. Return spring from stainless steel. Oil supply via threaded port.

Application:

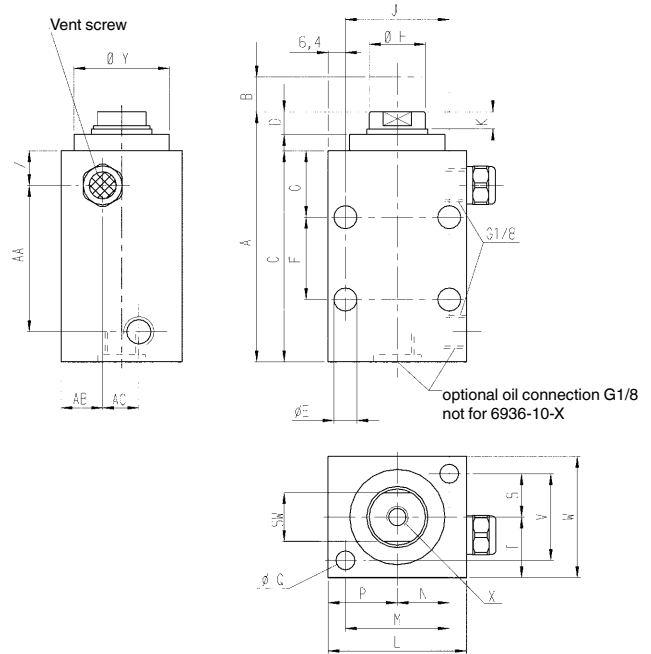
Universal mounting. Universal block cylinder for e.g. clamping, pushing, locking, rivetting.

Features:

Different strokes are available for each cylinder size. Every model is furnished with parallel and perpendicular mounting holes. Tapped piston rod ends allow the use of custom end attachments.

Note:

For single-acting cylinders, there is a risk of coolant being sucked through the breather port. In such cases the breather port has to be moved to a clean protected area via a connection line. When placing into operation, ensure that all air is bled from the system. For applications above 100 bar operating pressure, the cylinders must be supported by the cross bores at the cylinder body when fastening. Screws of strength class 12.9 must be used for fastening.



Dimensions:

Order no.	Article no.	A	C	D	dia. E	F	G	dia. H	J	K	L	M	N	P	dia. Q	S	SW	T	V	W	X x depth	dia. Y	Z	AA	AB	AC
68023	6936-10-1	60,0	46,5	7,5	7	-	23,5	12,2	33,5	5,5	51,0	33,5	16,5	23,0	7	8,0	11	14,0	16,0	28,5	M6x11	27,0	9,5	28,0	9,5	-
68049	6936-10-2	79,0	66,0	7,5	7	-	23,5	12,2	33,5	5,5	51,0	33,5	16,5	23,0	7	8,0	11	14,0	16,0	28,5	M6x11	27,0	9,5	47,0	9,5	-
68056	6936-18-1	71,0	57,0	8,0	9	-	26,5	20,1	38,0	6,5	51,0	38,0	19,0	25,5	7	16,0	17	22,0	32,0	44,5	M8x11	35,0	12,5	28,5	8,0	14,5
68072	6936-18-2	84,0	69,5	8,0	9	-	26,5	20,1	38,0	6,5	51,0	38,0	19,0	25,5	7	16,0	17	22,0	32,0	44,5	M8x11	35,0	12,5	41,0	8,0	14,5
68098	6936-18-3	112,5	98,5	8,0	9	41	26,5	20,1	38,0	6,5	51,0	38,0	19,0	25,5	7	16,0	17	22,0	32,0	44,5	M8x11	35,0	12,5	70,0	8,0	14,5
68114	6936-40-1	73,0	57,0	10,0	9	-	26,5	28,2	51,0	9,0	63,5	48,0	24,0	31,5	9	17,5	25	25,5	35,5	51,0	M12x13	44,5	12,5	28,5	8,0	17,5
68130	6936-40-2	86,0	69,5	10,0	9	-	26,5	28,2	51,0	9,0	63,5	48,0	24,0	31,5	9	17,5	25	25,5	35,5	51,0	M12x13	44,5	12,5	41,0	8,0	17,5

Subject to technical alterations.