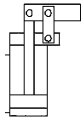


## No. 6942KK-\*\*L

### Link clamp

double acting, clamp arm left,  
max. operating pressure 100 bar,  
min. operating pressure 15 bar.



Order no.	Article no.	Clamping force at 100 bar [kN]	Piston force at 100 bar [kN]	Clamping stroke [mm]	Total stroke [mm]	Extra stroke [mm]	Vol. Sp [cm <sup>3</sup> ]	Vol. Lo [cm <sup>3</sup> ]	eff. piston area Sp [cm <sup>2</sup> ]	eff. piston area Lo [cm <sup>2</sup> ]	Md max. [Nm]	Weight [g]
327569	6942KK-25L	3,2	4,9	17,5	19,0	1,5	8,6	6,6	4,9	3,8	6,0	752
328500	6942KK-32L	5,3	8,0	22,5	24,0	1,5	16,5	13,3	8,0	6,5	7,6	1098
328518	6942KK-38L	7,5	11,3	24,5	26,0	1,5	27,8	22,9	11,3	9,3	11,0	1549
328609	6942KK-45L	10,5	15,9	28,0	29,5	1,5	44,5	35,8	15,9	12,8	13,0	2362
552014	6942KK-56L	17,0	25,5	33,0	34,5	1,5	84,2	71,7	25,5	21,7	28,0	3565

Sp = clamp, Lo = unclamp

### Design:

Cylinder housing from steel. Piston and hinge pins from hardened steel, tempered and nitrided. Metal wiper to protect the dirt wiper integrated into the housing. Supply scope includes hinge pins, tension plates, fastening screws but not clamping levers. The threaded connections are suitable for restrictor check valves no. 6916-12-XX. Oil supply via threaded connection or oil channel in the fixture body.

### Application:

Link clamps are used in clamping fixtures in which workpieces must be freely accessible and loaded from above. Particularly suitable for clamping in clamping pockets.

### Features:

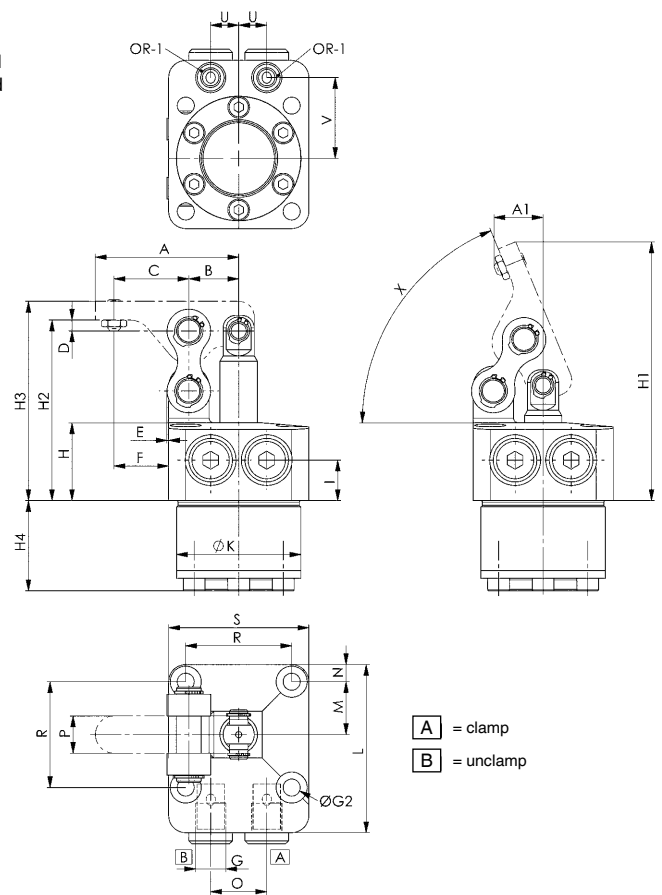
Top flange version, the horizontal centre axis at the standard lever and the pressure point on the workpiece lie in one plane. This prevents relative movement on the workpiece.

### Note:

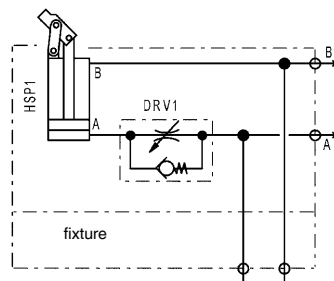
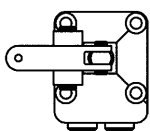
Maximum travel speed 0.5 m/s. The volumetric flow can be regulated via the restrictor check valve

The B to C leverage on the clamping levers is 1 to 1.5!

In the design of blank levers, deviations which lead to higher clamping forces are permitted only in exceptional cases. For sizes 32 and 45, screws with strength class 12.9 must be used.



### Installation direction of the clamping arm:



### Dimensions:

Order no.	Article no.	A	A1	B	C	D	E	F	G	H	H1	H2	H3	H4	I	dia. K	L	M	N	P	O	R	S	U	V	X	ØG2	OR-1 O-ring Order No.
327569	6942KK-25L	46,00	15,8	16,0	24,0	3,5	0,5	17,5	G1/8	25	83	58,0	64,0	29,0	13	39,9	54	17,0	5,5	12,0	18	34	45	9	26,0	67,5	5,5	161810
328500	6942KK-32L	60,50	16,0	21,0	31,5	3,0	1,5	22,5	G1/8	28	95	66,5	74,5	32,0	13	47,9	61	20,0	5,5	13,5	22	40	51	11	30,0	76,8	5,5	161810
328518	6942KK-38L	60,50	16,0	21,0	31,5	3,0	1,5	22,5	G1/8	28	106	72,0	81,0	37,0	13	54,9	69	23,5	6,5	16,0	24	47	60	12	33,5	72,9	6,8	161810
328609	6942KK-45L	71,00	18,7	24,5	37,0	3,0	2,5	26,5	G1/4	30	124	82,0	96,0	43,5	14	64,9	81	27,5	7,5	19,0	30	55	70	15	39,5	72,9	6,8	161810
552014	6942KK-56L	86,00	30,2	30,0	45,0	3,0	2,5	32,5	G1/4	35	140	89,0	105,0	47,0	14	74,9	94,5	31,5	11,0	22,0	32	63	85	16	45,0	67,5	8,7	161810

Subject to technical alterations.