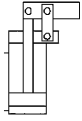


No. 6942KK-**R

Link clamp

double acting, clamp arm right,
max. operating pressure 100 bar,
min. operating pressure 15 bar.



| Order no. | Article no. | Clamping force at 100 bar [kN] | Piston force at 100 bar [kN] | Clamping stroke [mm] | Total stroke [mm] | Extra stroke [mm] | Vol. Sp [cm ³] | Vol. Lo [cm ³] | eff. piston area Sp [cm ²] | eff. piston area Lo [cm ²] | Md max. [Nm] | Weight [g] |
|-----------|-------------|--------------------------------|------------------------------|----------------------|-------------------|-------------------|----------------------------|----------------------------|--|--|--------------|------------|
| 327585 | 6942KK-25R | 3,2 | 4,9 | 17,5 | 19,0 | 1,5 | 8,6 | 6,6 | 4,9 | 3,8 | 6,0 | 752 |
| 328526 | 6942KK-32R | 5,3 | 8,0 | 22,5 | 24,0 | 1,5 | 16,5 | 13,3 | 8,0 | 6,5 | 7,6 | 1098 |
| 328534 | 6942KK-38R | 7,5 | 11,3 | 24,5 | 26,0 | 1,5 | 27,8 | 22,9 | 11,3 | 9,3 | 11,0 | 1549 |
| 328625 | 6942KK-45R | 10,5 | 15,9 | 28,0 | 29,5 | 1,5 | 44,5 | 35,8 | 15,9 | 12,8 | 13,0 | 2362 |
| 552013 | 6942KK-56R | 17,0 | 25,5 | 33,0 | 34,5 | 1,5 | 84,2 | 71,7 | 25,5 | 21,7 | 28,0 | 3565 |

Sp = clamp, Lo = unclamp

Design:

Cylinder housing from steel. Piston and hinge pins from hardened steel, tempered and nitrided. Metal wiper to protect the dirt wiper integrated into the housing. Supply scope includes hinge pins, tension plates, fastening screws but not clamping levers. The threaded connections are suitable for restrictor check valves no. 6916-12-XX. Oil supply via threaded connection or oil channel in the fixture body.

Application:

Link clamps are used in clamping fixtures in which workpieces must be freely accessible and loaded from above. Particularly suitable for clamping in clamping pockets.

Features:

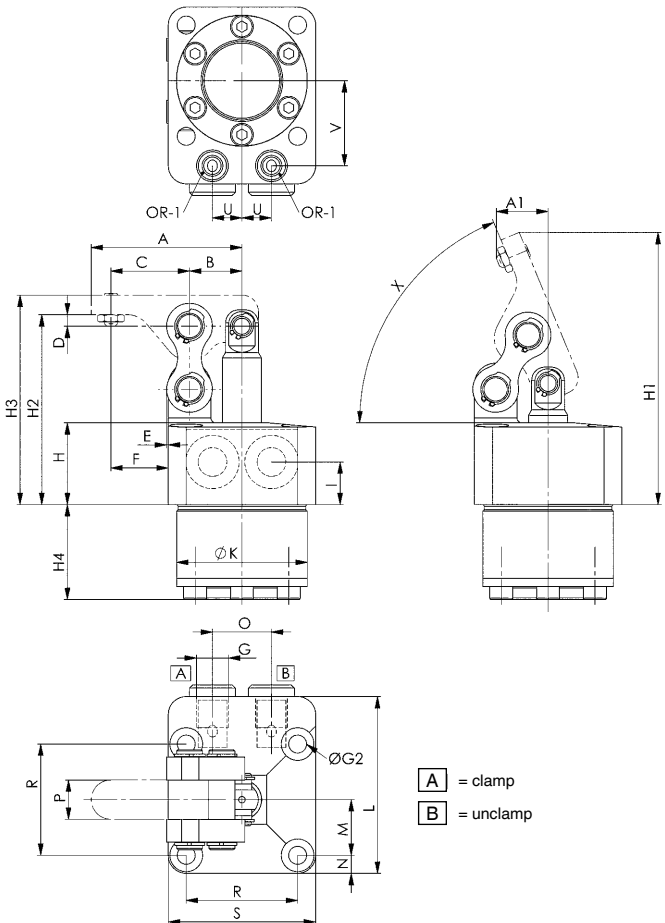
Top flange version, the horizontal centre axis at the standard lever and the pressure point on the workpiece lie in one plane. This prevents relative movement on the workpiece.

Note:

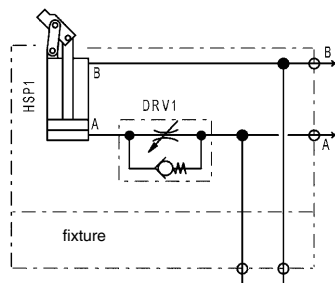
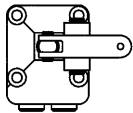
Maximum travel speed 0.5 m/s. The volumetric flow can be regulated via the restrictor check valve

The B to C leverage on the clamping levers is 1 to 1.5!

In the design of blank levers, deviations which lead to higher clamping forces are permitted only in exceptional cases. For sizes 32 and 45, screws with strength class 12.9 must be used.



Installation direction of the clamping arm:



Dimensions:

| Order no. | Article no. | A | A1 | B | C | D | E | F | G | H | H1 | H2 | H3 | H4 | I | dia. K | L | M | N | P | O | R | S | U | V | X | ØG2 | OR-1 O-ring Order No. |
|-----------|-------------|-------|------|------|------|-----|-----|------|------|----|-----|------|-------|------|----|--------|------|------|------|------|----|----|----|----|------|------|-----|-----------------------|
| 327585 | 6942KK-25R | 46,00 | 15,8 | 16,0 | 24,0 | 3,5 | 0,5 | 17,5 | G1/8 | 25 | 83 | 58,0 | 64,0 | 29,0 | 13 | 39,9 | 54 | 17,0 | 5,5 | 12,0 | 18 | 34 | 45 | 9 | 26,0 | 67,5 | 5,5 | 161810 |
| 328526 | 6942KK-32R | 53,25 | 13,7 | 18,5 | 28,0 | 3,5 | 2,0 | 21,0 | G1/8 | 28 | 95 | 66,5 | 74,5 | 32,0 | 13 | 47,9 | 61 | 20,0 | 5,5 | 13,5 | 22 | 40 | 51 | 11 | 30,0 | 76,8 | 5,5 | 161810 |
| 328534 | 6942KK-38R | 60,50 | 16,0 | 21,0 | 31,5 | 3,0 | 1,5 | 22,5 | G1/8 | 28 | 106 | 72,0 | 81,0 | 37,0 | 13 | 54,9 | 69 | 23,5 | 6,5 | 16,0 | 24 | 47 | 60 | 12 | 33,5 | 72,9 | 6,8 | 161810 |
| 328625 | 6942KK-45R | 71,00 | 18,7 | 24,5 | 37,0 | 3,0 | 2,5 | 26,5 | G1/4 | 30 | 124 | 82,0 | 96,0 | 43,5 | 14 | 64,9 | 81 | 27,5 | 7,5 | 19,0 | 30 | 55 | 70 | 15 | 39,5 | 72,9 | 6,8 | 161810 |
| 552013 | 6942KK-56R | 86,00 | 30,2 | 30,0 | 45,0 | 3,0 | 2,5 | 32,5 | G1/4 | 35 | 140 | 89,0 | 105,0 | 47,0 | 14 | 74,9 | 94,5 | 31,5 | 11,0 | 22,0 | 32 | 63 | 85 | 16 | 45,0 | 67,5 | 8,7 | 161810 |

Subject to technical alterations.