

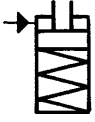
No. 6951GZ

Pull Cylinder, thread-flange-mounting, with guided piston rod

Single-acting, with spring return, max. operating pressure 350 bar, min. operating pressure 52 bar.



CAD



Order no.	Article no.	Pull force at 350 bar		Stroke [mm]	Vol. pull [cm ³]	Q max. [l/min]	Weight [g]
		[kN]					
66605	6951GZ-02-10	2,2		14,5	0,92	0,165	308
66670	6951GZ-05-10	6,6		20,0	3,82	0,400	771
66712	6951GZ-11-10	13,9		29,5	11,90	1,640	1424

Design:

Cylinder barrel from steel, hardened and burnished. Piston rod case hardened and chrome plated. Piston rod with internal thread and clamping arm positioning. Wiper at piston rod. Return spring from stainless steel. Oil supply via threaded port.

Application:

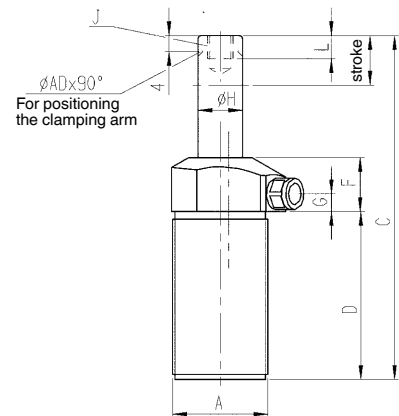
Universal Push-Pull Cylinder for various applications.

Features:

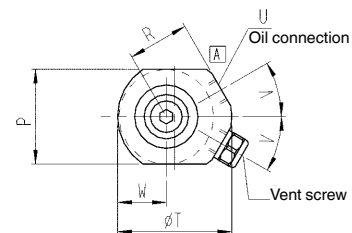
Each model is available for single or double acting operation. The internal thread at piston rod allows mounting of attachments like clamping arms and set screws.

Note:

The piston is guided, therefore, the max. permissible oil flow rate Q max. must be observed in order to protect the mechanism. No force must be introduced at the piston when mounting accessory. For single acting cylinders there is risk of sucking in coolant through the breather port. In such cases the breather port has to be piped to a clean protected area. The system has to be completely vented during installation. Suitable flange nuts DIN 70852.



[A] = Pull



Dimensions:

Order no.	Article no.	A	C	D	F	G	dia. H	J x depth	L	P	R	dia. T	U	V	W	ØAD
66605	6951GZ-02-10	M28x1,5	102,0	44	25,5	13	11,13	M6 x 7	7	32,0	20,5	38,0	G1/8	25°	14,0	3,2
66670	6951GZ-05-10	M38x1,5	134,0	60	31,0	13	15,88	M10 x 12	12	38,0	26,0	47,5	G1/8	35°	19,5	4,8
66712	6951GZ-11-10	M48x1,5	172,0	79	32,0	13	22,23	M12 x 13	13	47,5	31,5	60,0	G1/4	30°	25,5	4,8

Subject to technical alterations.