

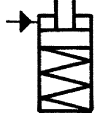
No. 6951KZ

Pull Cylinder, top-flange-mounting, with guided piston rod

Single-acting, with spring return, max. operating pressure 350 bar, min. operating pressure 52 bar.



CAD



Order no.	Article no.	Pull force at 350 bar		Stroke [mm]	Vol. pull [cm³]	Q max. [l/min]	Weight [g]
		[kN]					
66498	6951KZ-02-10	2,2		14,5	0,92	0,165	372
66530	6951KZ-05-10	6,6		20,0	3,82	0,40	903
66571	6951KZ-11-10	13,9		29,5	11,90	1,64	1520

Design:

Cylinder barrel from steel, hardened and burnished. Piston rod case hardened and chrome plated. Piston rod with internal thread and clamping arm positioning. O-ring for flange seal. Wiper at piston rod. Return spring from stainless steel. Oil supply via threaded connection or oil channel in the fixture body.

Application:

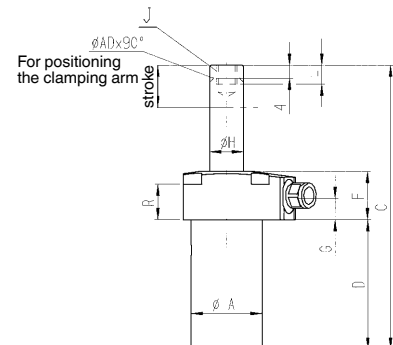
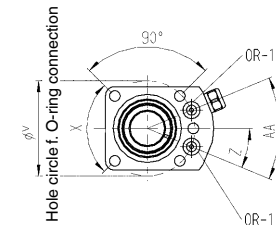
Universal Push-Pull Cylinder for various applications.

Features:

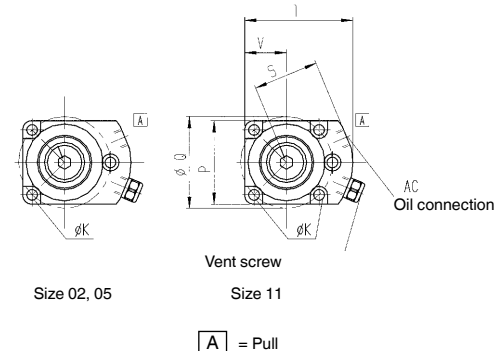
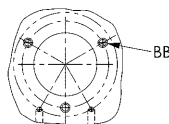
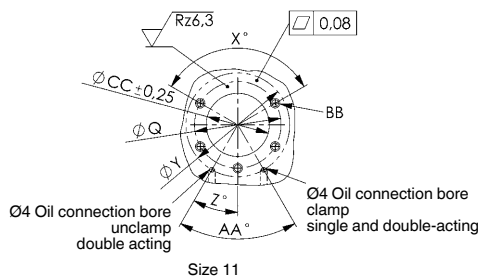
Each cylinder size is available for single or double-acting operation. Various thrust pieces can be attached in the tapped piston rod ends. Clamps can be attached, as with the swing clamps.

Note:

The piston is guided, therefore, the max. permissible oil flow rate Q max. must be observed in order to protect the mechanism. No force must be introduced at the piston when mounting accessory. For single acting cylinders there is risk of sucking in coolant through the breather port. In such cases the breather port has to be piped to a clean protected area. The system has to be completely vented during installation.



Drilling template device:



Dimensions:

Order no.	Article no.	dia. A	C	D	F	G	dia. H	J	dia. K	L	P	dia. Q	R	S	T	V	X°	dia. Y	Z°	AA°	AC	ØAD	BB	dia. CC	OR-1 O-ring Order No.
66498	6951KZ-02-10	25	101,5	44,0	26	13,0	11,13	M6	6	7	45	40,0	18,0	31,0	47	15,5	120	42	30,0	60	G1/8	3,2	M5	26	183608
66530	6951KZ-05-10	36	134,0	64,5	27	13,0	15,88	M10	7	12	57	50,0	19,0	33,5	54	19,0	120	50	55,0	110	G1/8	4,8	M6	37	183608
66571	6951KZ-11-10	44	172,0	81,0	30	14,5	22,23	M12	9	13	55	59,4	22,1	42,0	71	27,5	90	62	22,5	45	G1/4	4,8	M8	45	183608

Subject to technical alterations.