

No. 6951WN

Swing Clamp arm, double-ended

pivoted



Order no.	Article no.	2A	B	C	D	dia. E	F	G	H	J	dia. K	L	M	N	W max.	Weight [g]
320457	6951WN-02-100	100	39	11	8	11,2	13	9	24	21,0	6	13,5	M4	M6	6°	150
320465	6951WN-05-150	150	52	16	12	15,9	19	15	35	31,0	8	19,5	M6	M10	6°	440
320473	6951WN-11-180	180	74	19	16	22,3	28	19	40	38,0	12	25,0	M6	M12	6°	880

Design:

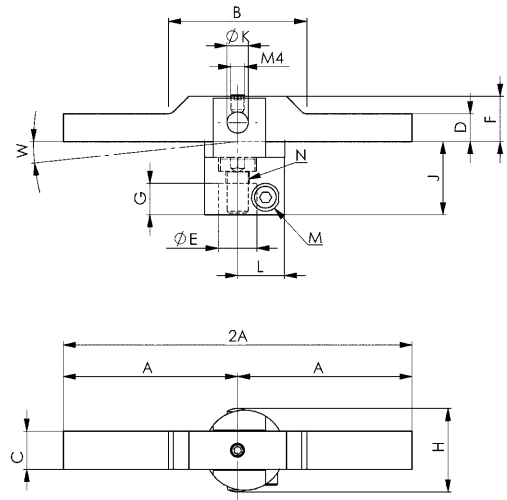
Steel, blued. Clamping arm tempered.

Application:

For all swing clamps
 order no. 320457 for sizes 6951xx-02-xx, 6952EP-02-xx
 order no. 320465 for sizes 6951xx-05-xx, 6952CP-06-xx, 6941KP-03-xx
 order no. 320473 for sizes 6951xx-11-xx, 6941KP-05-xx
 Used for clamping two workpieces with different heights.

Note:

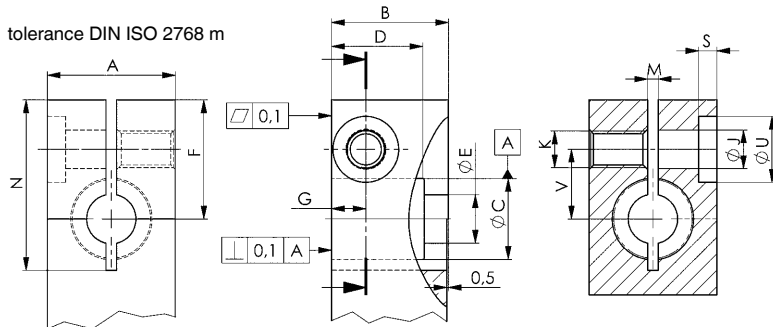
Clamping pressure and maximum tilt angle (W) must not be exceeded. Special versions are available on request.



No. 6951

Dimensions for proprietary manufacturing of clamping arms

tolerance DIN ISO 2768 m



Important note:

Lever lengths and lever weights (see no. 6951-xx above) must be observed!

Dimensions table (proprietary manufacture):

for size	A	B	ØC	D	ØE	F	G	ØJ	K	M	N	S	ØU	V
6952EP-02	19,0	16,0	11,151 +0,05	12,70	7,0	22,5	7,0	6,4	M6	2,4	30,0	2	11	9,5
6951XX-02	19,0	16,0	11,151 +0,05	12,70	7,0	22,5	7,0	6,4	M6	2,4	30,0	2	11	9,5
6952CP-06	25,5	22,0	15,913 +0,05	18,03	11,0	27,5	8,8	8,5	M8	2,9	38,5	5	15	17,0
6951XX-05	25,5	22,0	15,913 +0,05	18,03	11,0	27,5	8,8	8,5	M8	2,9	38,5	5	15	17,0
6952CP-08	29,0	27,0	20,000 +0,02	22,00	11,0	31,5	8,0	8,5	M8	2,9	43,5	5	15	18,2
6951XX-11	35,0	32,0	22,263 +0,05	25,40	13,5	32,5	12,0	10,5	M10	2,9	46,5	5	18	19,0
6952CP-15	35,0	38,5	25,000 +0,02	30,50	12,5	42,5	11,0	12,5	M12	2,9	52,5	4	18	23,2

Subject to technical alterations.