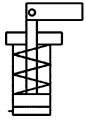


No. 6958AU

Vertical Clamp

Single-acting, with spring return, max. operating pressure 250 bar, min. operating pressure 40 bar.



Order no.	Article no.	Piston force at 100 bar [kN]	Piston force at 250 bar [kN]	Vol. [cm ³]	Piston dia. [mm]	effective piston area [cm ²]	Md max. [Nm]	Weight [g]
322404	6958AU-16	2	5	1,9	16	2,0	18	220
322446	6958AU-20	3	8	4,0	20	3,1	43	357
322487	6958AU-25	4	12	6,7	25	4,9	84	576
322529	6958AU-32	8	20	14,4	32	8,0	145	926

Design:

Cylinder body from steel, chemically nickel-plated. Piston rod nitrided. Wiper at piston rod. Built-in return spring. Supply scope includes clamping lever pin, but not clamping lever. Oil supply via oil channel in fixture body.

Application:

This vertical clamp can be used for clamping in cavities or in very tight spaces.

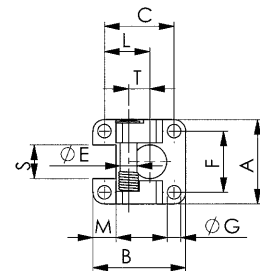
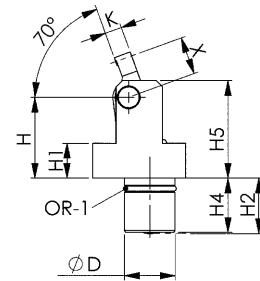
Features:

Small dimensions, can be installed closely spaced side-by-side. The clamping levers can be exchanged easily in the installed position.

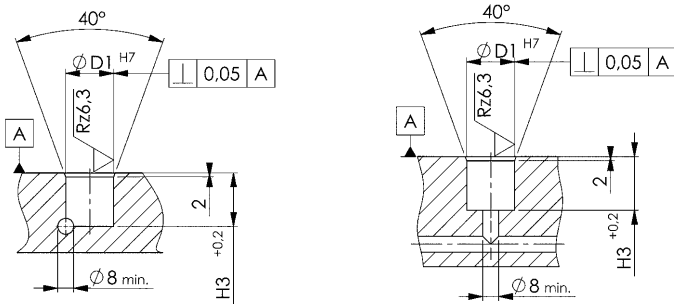
Note:

Screws according to ISO 4762, strength class 12.9, lightly oiled, are not supplied as standard.

During unclamping, the vertical clamp allows a **max. dynamic pressure of 3 bar**, which must be strictly taken into account when using control valves. Important: Please note the cross-section of the supply line.



Installation dimensions:



Dimensions:

Order no.	Article no.	A	B	C	dia. D	dia. D1 H7	L	F	dia. G	H	H1	H2	H3	H4	H5	T	M	dia. E	S	K	OR-1 O-ring Order No.
322404	6958AU-16	40	44	33	24	24	21,5	29	6,4	38,3	16,5	26,3	26,8	25,8	46,3	10	11	8	16	8	195347
322446	6958AU-20	46	53	40	30	30	26,0	33	8,5	49,0	20,3	32,7	34,0	-	59,0	11	13	10	20	10	195842
322487	6958AU-25	55	67	51	35	35	32,0	39	10,5	51,0	21,2	34,6	37,0	-	62,0	13	16	12	23	11	195909
322529	6958AU-32	66	76	58	42	42	36,0	48	12,5	60,0	24,1	56,7	59,5	-	76,0	15	18	15	30	16	195925

Dimension X, see clamping lever

Subject to technical alterations.