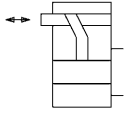


## No. 6978CD

### Side clamping element without support

Double-acting,  
max. operating pressure 250 bar,  
min. operating pressure 30 bar.

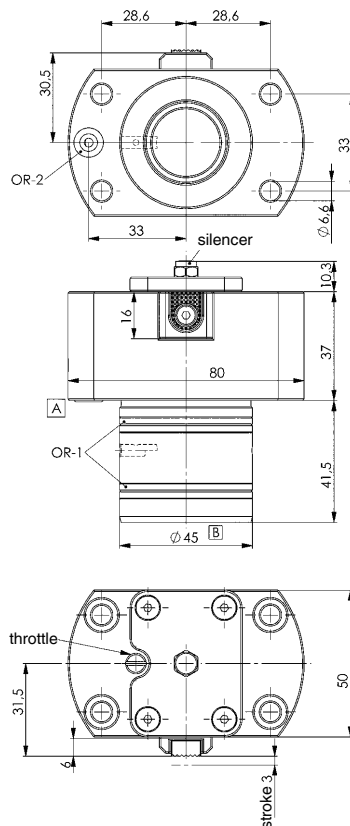
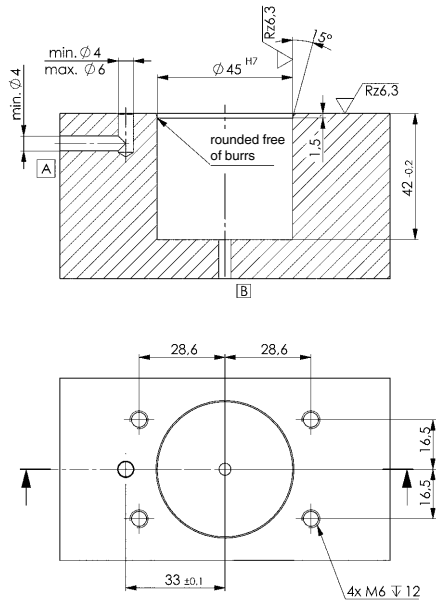


**NEW!**



### Installation dimensions:

(with throttle function)



### Design:

Housing made of steel, burnished. Tension slide hardened. Integrated flow rate restrictor, grooved clamping jaw. Oil supply via oil channel in fixture body.

### Application:

For clamping workpieces in a linear direction. Compact design. The workpiece can be clamped sensitively thanks to the adjustable flow rate restrictor.

### Features:

High flexibility through individually designed and exchangeable clamping jaws.

### Note:

The installation hole must be free of burrs. Seals and housings must be greased during installation. Avoid chips from gathering via oil channels.



CAD