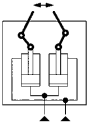


No. 6966D

Clamping tongs

Double-acting,
max. operating pressure 250 bar,
min. operating pressure 30 bar.



NEW!



CAD

Order no.	Article no.	Holding force F at 250 bar * [kN]	Piston force at 250 bar [kN]	Clamping range up to [mm]	OR-1 O-ring Order No.	Md [Nm]	Weight [g]
562217	6966D-07	6,7	7,8	10	298778	25	3350

* Holding force specification for lever length 0

Design:

Housing made of steel, burnished. Clamp lever holder made of case-hardened steel. The clamping lever holder is driven by two piston rods installed in the housing. Oil supply via oil channels in fixture body. Supplied as standard with four fastening bolts M8 x 80 and two Viton moulded seals for the fastening bolt holder.

Application:

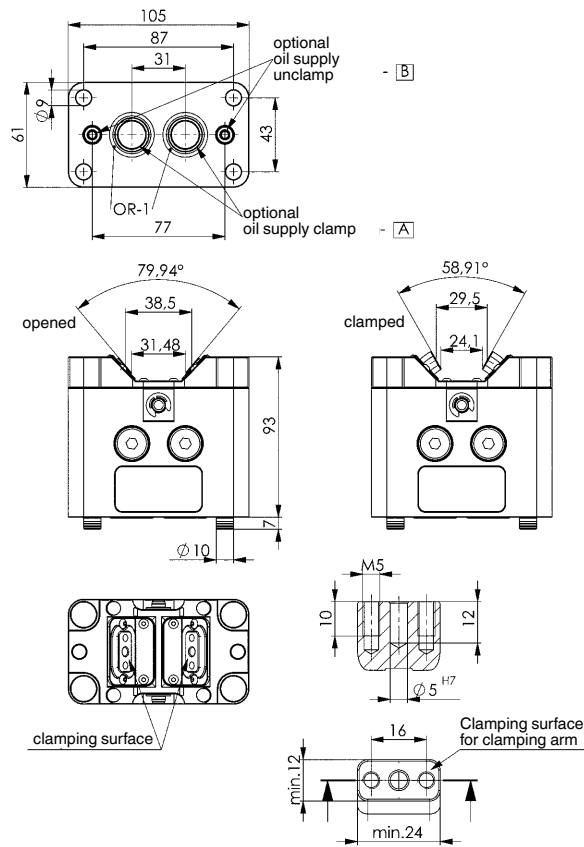
The clamping tongs prevent vibrations on the workpiece during machining. The clamping tongs are suitable for compensating and holding the workpieces but not for positioning them, with a repetition accuracy of 0.02 to 0.03 mm.

Features:

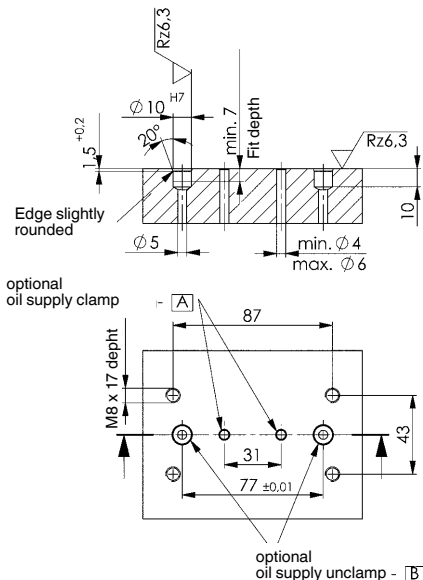
The clamping tongs hold the workpiece without clamping it.

Note:

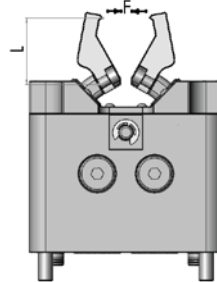
The clamping levers can be designed individually, these are not supplied as standard.



Drilling template device:



Application example:



Holding force table for different lever lengths:

Operating pressure	bar	100						
Lever length L	mm	0	20	40	60	80	100	
Holding force horizontal F	kN	2,49	1,49	1,05	0,82	0,68	0,57	
Operating pressure	bar	200						
Holding force horizontal F	kN	4,97	2,96	2,11	1,69	1,35	1,15	

Subject to technical alterations.