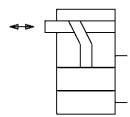


No. 6978CD

Side clamping element without support

Double-acting,
max. operating pressure 250 bar,
min. operating pressure 30 bar.

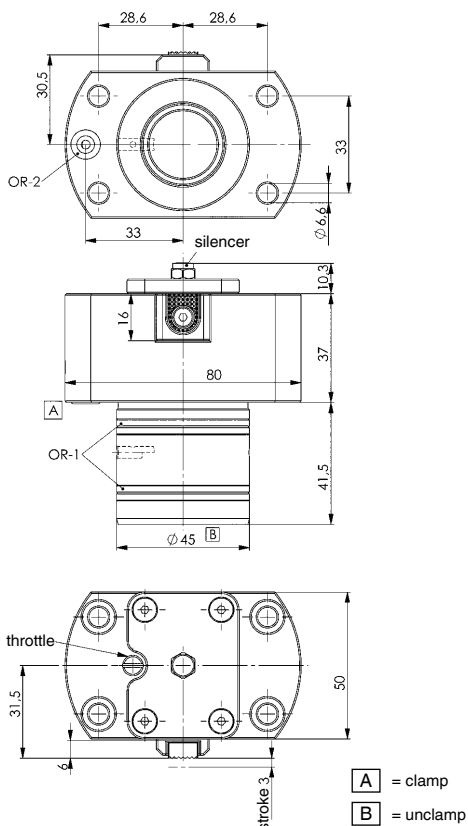
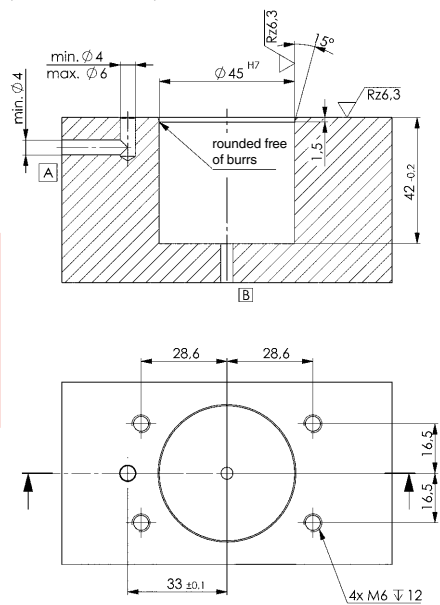


NEW!



Installation dimensions:

(with throttle function)



Design:

Housing made of steel, burnished. Tension slide hardened. Integrated flow rate restrictor, grooved clamping jaw. Oil supply via oil channel in fixture body.

Application:

For clamping workpieces in a linear direction. Compact design. The workpiece can be clamped sensitively thanks to the adjustable flow rate restrictor.

Features:

High flexibility through individually designed and exchangeable clamping jaws.

Note:

The installation hole must be free of burrs. Seals and housings must be greased during installation. Avoid chips from gathering via oil channels.



CAD