

## No. 6870F

### Horizontal toggle clamp with auto-adjust clamping height

with open clamping arm and horizontal base.

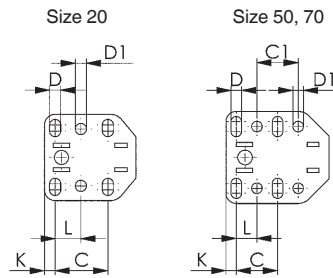
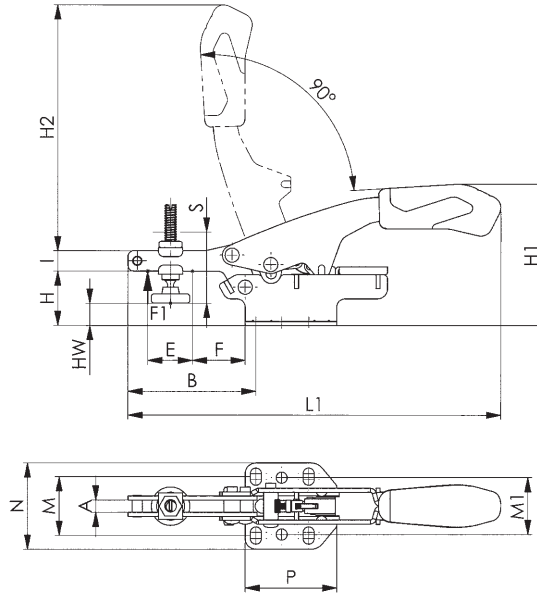
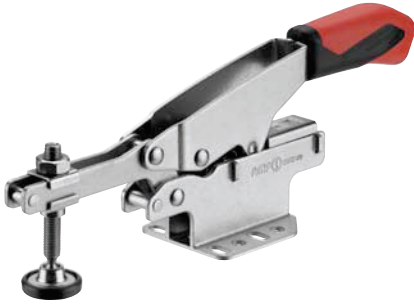
Toggle clamp with continuous counterbalance function for workpieces with different clamping heights.

Galvanised and passivated. Ergonomic, oil-resistant handle with large grip surface and soft components. Retainer for the clamping screw at the end of the clamp arm.

Complete with galvanised clamping screw.



Order no.	Size	F1 [kN]	Automatic height compensation S [mm]	Maximum height compensation [mm]	Clamping screw	Weight [g]
560895	20	2	20	35	M6 x 49	345
560896	50	3	35	40	M8 x 50	520
560897	70	3	35	60	M8 x 66	575



### Recommendations



No. 6875, page 166

No. 6878K, page 172

No. 6878AR, page 174



### Dimensions:

Order no.	Size	A	B	C	C1	D	D1	E	F	H	H1	H2	HW min.	HW max.	I	K	L	L1	M	M1	N	P
560895	20	6,1	63	26,0	-	5,5	5,5	22,0	26,0	27	70	121	-7,0	11,0	10	5,3	12,7	184	26 - 32	28	42,5	45,0
560896	50	8,4	104	25,4	25,4	6,5	6,5	35,2	22,2	23	72	174	-8,9	1,5	13	6,3	12,7	261	32 - 44	38	57,0	63,5
560897	70	8,5	104	25,4	25,4	6,5	6,5	35,0	50,0	41	90	174	-6,6	19,7	13	6,3	12,7	261	32 - 44	38	57,0	63,5

Subject to technical alterations.

## No. 6871

### Horizontal toggle clamp with auto-adjust clamping height

#### with open clamping arm and angle base.

Toggle clamp with continuous counterbalance function for workpieces with different clamping heights.

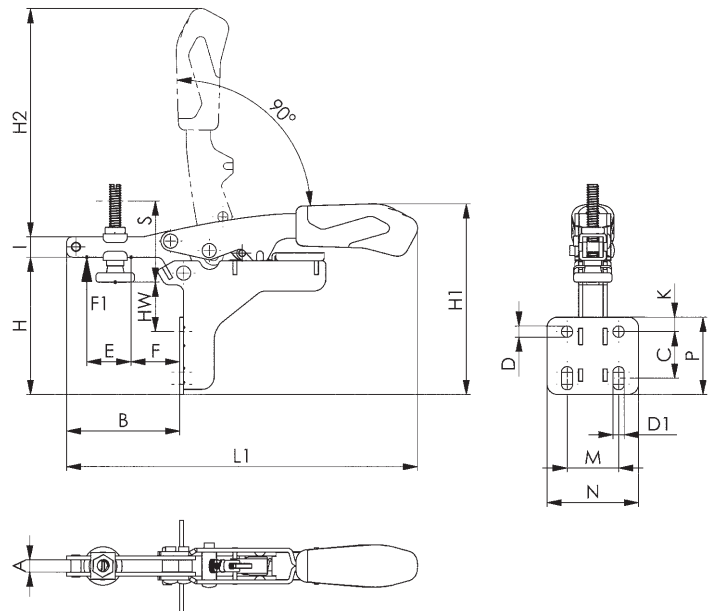
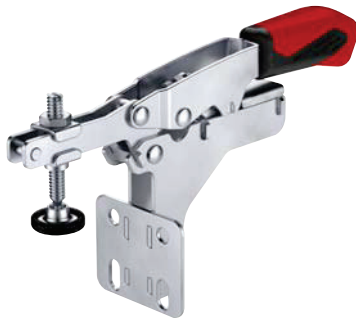
Galvanised and passivated. Ergonomic, oil-resistant handle with large grip surface and soft components. Retainer for the clamping screw at the end of the clamp arm.

**Complete with galvanised clamping screw.**



CAD

Order no.	Size	F1 [kN]	Automatic height compensation S [mm]	Maximum height compensation [mm]	Clamping screw	Weight [g]
554881	20	2	20	35	M6 x 49	272
554882	50	3	35	40	M8 x 66	544



### Recommendations



No. 6860, page 44



No. 68300, page 34



### Dimensions:

Order no.	Size	A	B	C	D	D1	E	F	H	H1	H2	HW min.	HW max.	I	K	L1	M	N	P
554881	20	6,0	56	20 - 26	5,6	5,6	22	24	68	94	113	3	24	10	7,1	173	25,4	45	38
554882	50	8,2	85	20,5 - 30,0	6,5	6,5	40	31	88	124	158	1	30	13	10,6	244	38,1	57	51

Subject to technical alterations.

No. 6872

## Horizontal toggle clamp with auto-adjust clamping height

### with open clamping arm and vertical base.

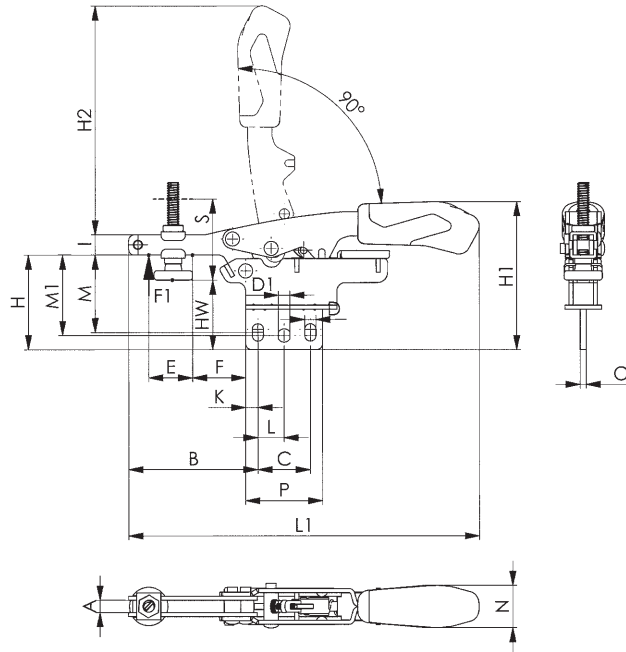
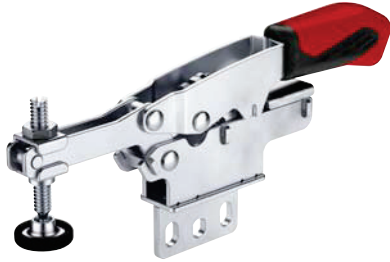
Toggle clamp with continuous counterbalance function for workpieces with different clamping heights. Galvanised and passivated. Ergonomic, oil-resistant handle with large grip surface and soft components. Retainer for the clamping screw at the end of the clamp arm.

**Complete with galvanised clamping screw.**



CAD

Order no.	Size	F1 [kN]	Automatic height compensation S [mm]	Maximum height compensation [mm]	Clamping screw	Weight [g]
554883	20	2	20	35	M6 x 49	272
554884	50	3	35	40	M8 x 50	544



### Recommendations



No. 6860, page 44



No. 68300, page 34

### Dimensions:

Order no.	Size	A	B	C	D	D1	E	F	H	H1	H2	HW min.	HW max.	I	K	L	L1	M	M1	N	O	P
554883	20	6,0	64,0	25,9	5,6	5,6	22	26	47	73	113	13,5	31	10	6,0	13,0	173	37 - 40	39,8	21,0	3	38
554884	50	8,2	106,5	38,0	6,5	6,5	35	50	59	94,5	158	27,5	38	13	8,5	19,0	243	45 - 49	49,0	27,0	4	55

Subject to technical alterations.

## No. 6874F

### Push-pull type toggle clamp with auto-adjust clamping width

with horizontal base.

Toggle clamp with continuous counterbalance function for workpieces with different clamping widths.

Galvanised and passivated.

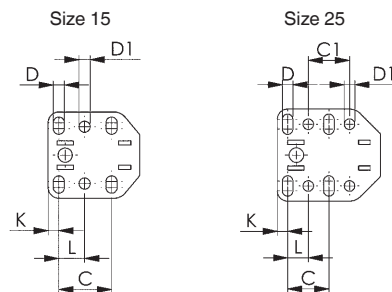
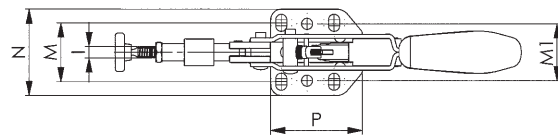
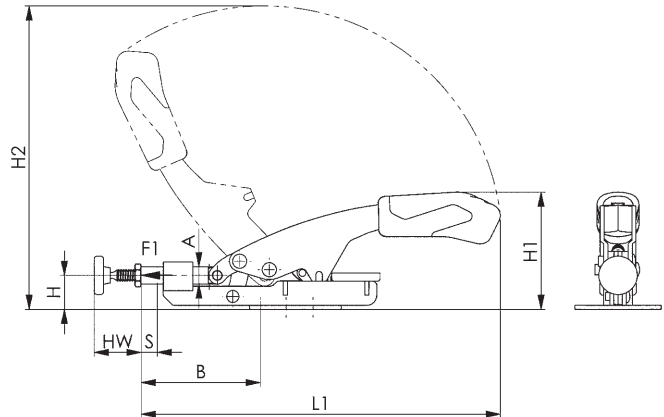
Ergonomic, oil-resistant handle with large grip surface and soft components. Retainer for the clamping screw at the end of the clamp arm.

Complete with galvanised clamping screw.



CAD

Order no.	Size	F1 [kN]	automatic stroke compensation S [mm]	maximum stroke compensation [mm]	Clamping screw	Weight [g]
560904	15	2	8	25	M6 x 37	230
560905	25	3	13	35	M8 x 50	550



### Recommendations



No. 6875, page 166



No. 6878K, page 172



No. 6878AR, page 174

### Dimensions:

Order no.	Size	A	B	C	C1	D	D1	H	H1	H2	HW min.	HW max.	I	K	L	L1	M	M1	N	P
560904	15	8,5	52 - 69	26,0	-	5,5	5,5	16,8	58	145	13	25	M6	5,3	12,7	177	26 - 32	28	42,5	45,0
560905	25	11,8	72 - 98	25,4	25,4	6,5	6,5	23,2	71	207	16	35	M8	6,3	12,7	256	32 - 44	38	57,0	63,5

Subject to technical alterations.

No. 6873

## Push-pull type toggle clamp with auto-adjust clamping width

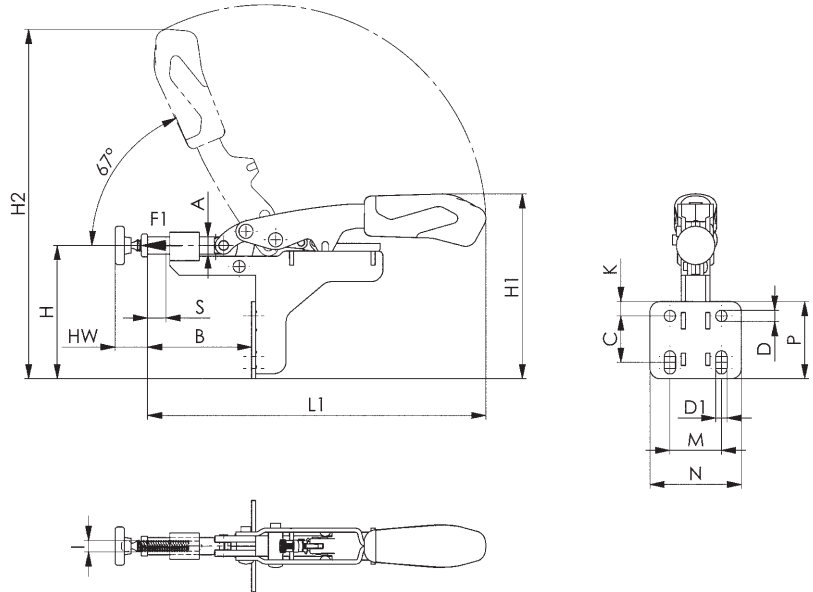
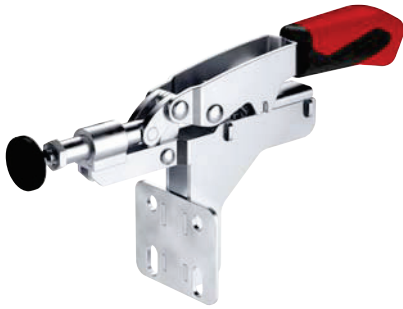
with angle base.

Toggle clamp with continuous counterbalance function for workpieces with different clamping widths. Galvanised and passivated. Ergonomic, oil-resistant handle with large grip surface and soft components. Retainer for the clamping screw at the end of the clamp arm.

Complete with galvanised clamping screw.



Order no.	Size	F1 [kN]	automatic stroke compensation S [mm]	maximum stroke compensation [mm]	Clamping screw	Weight [g]
554885	15	2	8	25	M6 x 37	272
554886	25	3	13	35	M8 x 50	544



### Recommendations



No. 6842,  
page 54



No. 6841,  
page 46

### Dimensions:

Order no.	Size	A	B	C	D	D1	H	H1	H2	HW min.	HW max.	I	K	L1	M	N	P
554885	15	8,5	42 - 59	20 - 26	5,6	5,6	66	91	173	14	29	M6	7,1	167	25,4	45	38
554886	25	11,8	58 - 83	20,5 - 30,0	6,5	6,5	84	119	238	19	39	M8	10,6	236	38,1	57	51

Subject to technical alterations.