

## No. 6210FNT

### Base element, flat, for T-slot plate

Tempered steel, plasma-nitrided and burnished.

Order no.	Size	H ±0.01	Weight [g]
559097	K10	30	3861
559098	K20	30	6758

### Application:

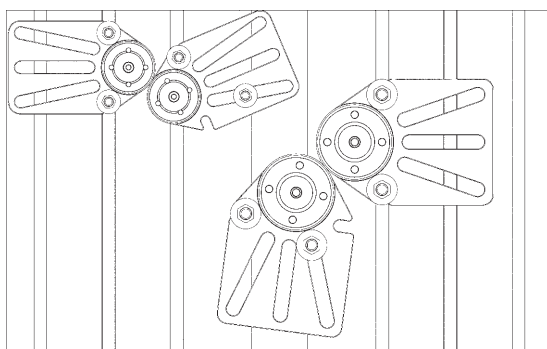
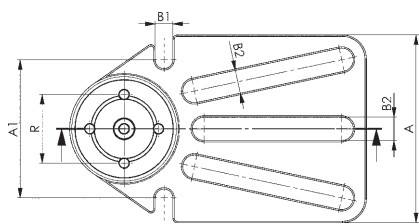
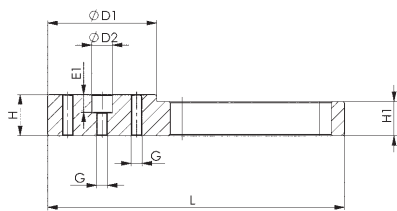
The main element can be freely positioned and fastened on the machine table with T-slots. Intermediate elements or assembly elements can be adapted. This clamping system can be used to move workpieces to the required machining height in the machine for 5-sided machining, or for the safe and quick clamping of workpieces with ledges and different clamping heights on the machine table with T-slots.

### Advantage:

Through arrangement of the mounting slots, simple, quick and flexible clamping of complex workpiece contours on the machine table is possible with T-slots. Particularly suitable for levelling workpieces or clamping fixtures at the necessary machining heights in the machine tool and clamping these securely.

### Note:

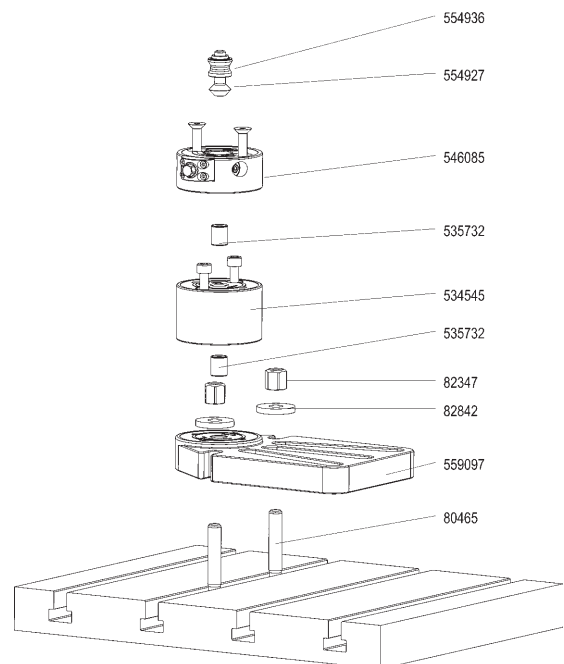
- Centring sleeves:
- Ø15: order no. 535732
  - Ø16: order no. 78006



### Dimensions:

Order no.	Size	A	A1	B1	B2	dia. D1	dia. D2 F7	E1	G	H1	L	R
559097	K10	136,5	100,5	13	17	79	15	13	M8	25	215,5	50
559098	K20	184,5	138,5	17	20	113	16	11	M12	25	259,5	80

CAD



Subject to technical alterations.