

No. 6210IL-10-05

Adapter clamping module K5, pneum. to K10, with indexing

Housing: tempered steel, gas-nitrided and oxidised.
Clamping module: cover and piston hardened.



Order no.	Size	Pull-in/locking force up to	Holding force*	Weight
		[kN]	[kN]	[g]
532853	K05	1,5	13	2248

Application:

The adapter element is used to reduce the intermediate element size K10 to the pneumatic clamping module K5. Workpieces or fixtures can be clamped with repetition accuracy directly onto the pneumatic clamping module K5 using pull-studs.

This clamping system can be used to move workpieces to the required machining height in the machine for 5-sided machining, or for the safe and quick clamping of workpieces with ledges and different clamping heights on the machine table.

Thanks to the indexing option, workpieces under large machining forces can be secured to prevent radial distortion.

Advantage:

Simple, quick and flexible clamping of complex workpiece contours on the machine table. Especially suitable for levelling workpieces or clamping fixtures at the necessary machine heights in the machine tool and for the reliable clamping of same.

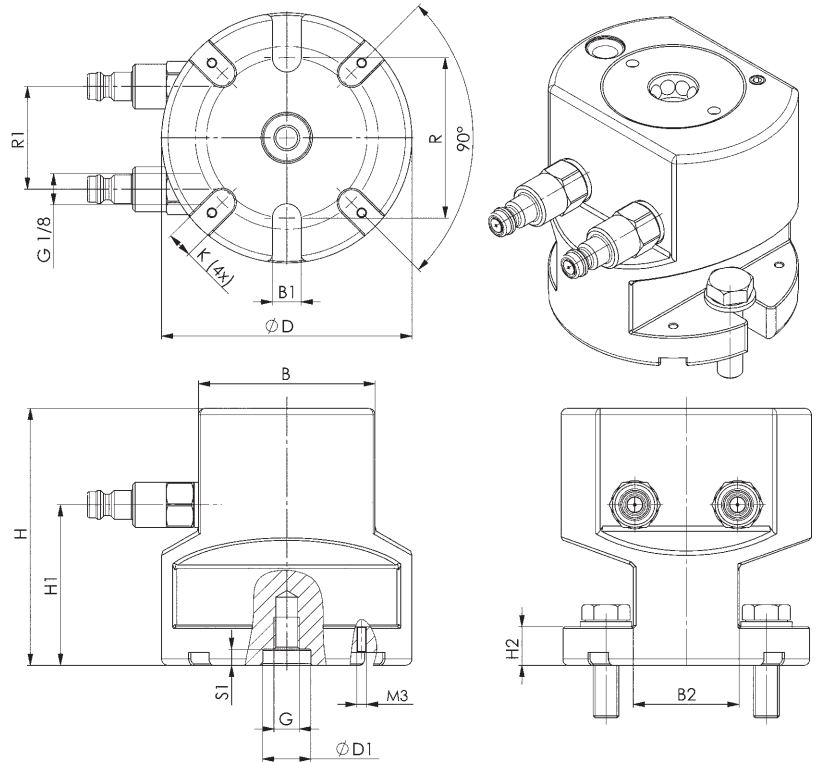
Note:

Order no. for the centering sleeve \varnothing 16 mm: 78006

Order no. for the slot nuts: 430264

The pneum. quick-release coupling, connector version, and the fastening screws are supplied as standard.

* Please observe the installation instructions.



Dimensions:

Order no.	Size	B	B1	B2	dia. D	ØD1 F7	G	H ± 0.01	H1	H2	K F6	R	R1	S1
532853	K05	59	9	33	78	15	M8	80	52	12	8	50	32	5



CAD