

No. 6212MA-20-10

## Adapter for clamping module, mechanical

Tempered steel, plasma-nitrided and burnished.

**NEW!**



Order no.	Size	H ±0.01	Weight [Kg]
561993	K20 - K10	40	1,3

### Application:

Adapter for installation of the mechanical clamping module 6212M size K20 (559094) to an intermediate or base element size K10.

### Advantage:

Simple, quick and flexible clamping of complex workpiece contours on the machine table. Particularly suitable for levelling workpieces or clamping fixtures at the necessary machining heights in the machine tool and clamping these securely.

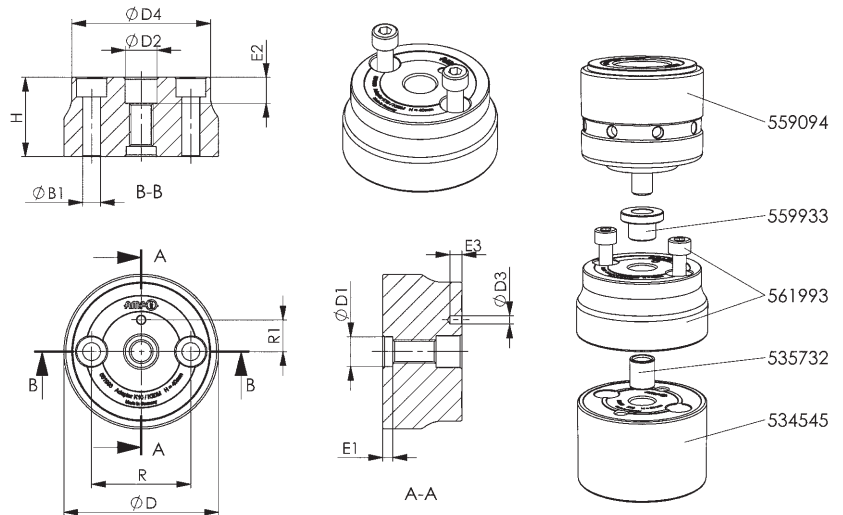
### Note:

The adapter can be aligned axially on the intermediate or base element using the centring sleeve and then bolted on.

The fastening bolts are supplied as standard.

Order numbers of the centring sleeves:

- size K10: order no. 535732



### Dimensions:

Order no.	Size	dia. B1	dia. D	$\varnothing D1$ F7	dia. D2 F7	dia. D3	dia. D4	E1	E2	E3	R	R1
561993	K20 - K10	9	78	15	16	4,2	70	5	13	6	50	16

