

No. 6370S4-001

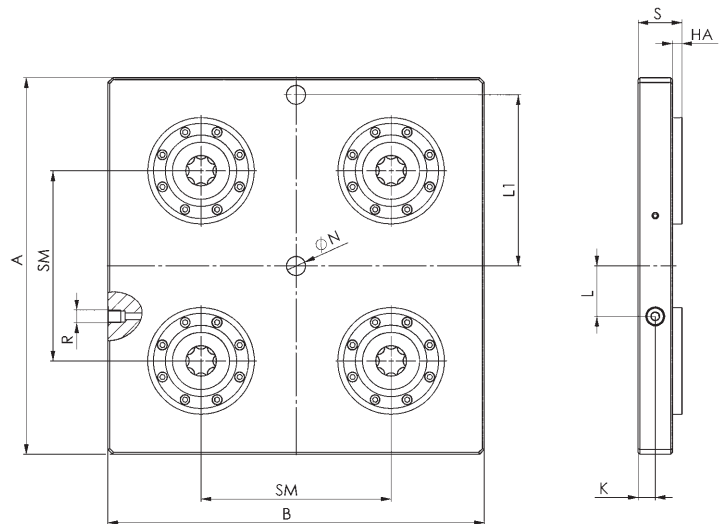
4-point clamping station

Hydraulic unlocking.
 Opening operating pressure: min. 50 bar - max. 60 bar.
 Clamping modules' contact surface: Steel, stainless and hardened.
 Base plate: Steel, unhardened.
 Repetition accuracy < 0.005 mm.

Order no.	Size	Pull-in/locking force up to	Holding force*	Weight [Kg]
		[kN]	[kN]	
426742	K10	4 x 10	4 x 25	12,5
303321	K20	4 x 20	4 x 55	46,5
303339	K40	4 x 40	4 x 105	113,5

Note:

On request, we can incorporate fastening bores in the base plate according to your requirements.
 The correct quick-release coupling is available under the order no.:
 - 427872 for sleeve
 - 427856 for plug
 * Please observe the installation instructions.



Dimensions:

Order no.	Size	A	B	HA	K	L	L1	dia. N	R	S	SM
426742	K10	240	240	7	12	85	100	20	G1/4	33	100
303321	K20	395	395	10	18	50	180	20	G1/4	48	200
303339	K40	546	546	15	24	95	250	25	G1/4	62	320

