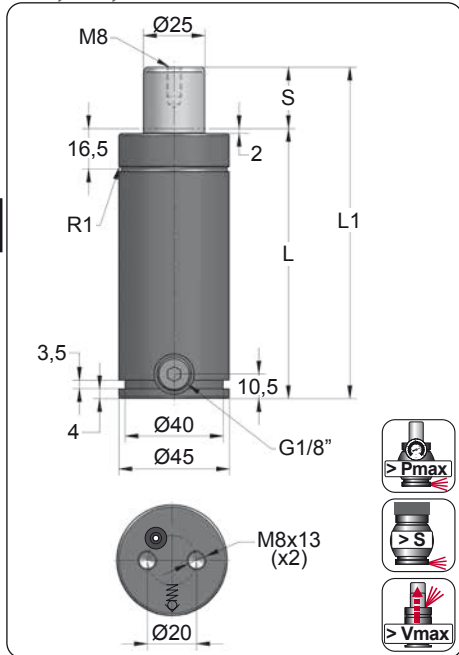


# CD 700

Heavy Duty

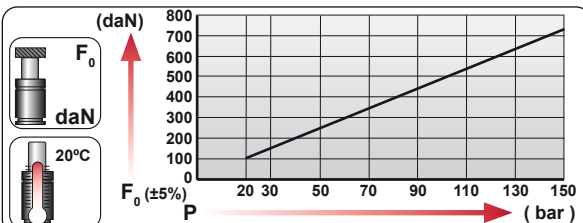


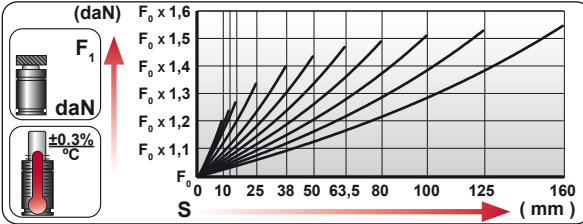
ORDER	S (mm)	L1 ±0.25 (mm)	L (mm)	Kg.
CD 700 010	10	105	95	0.84
CD 700 013	13	111	98	0.86
CD 700 016	16	117	101	0.87
CD 700 025	25	135	110	0.93
CD 700 038	38	161	123	1.01
CD 700 050	50	185	135	1.09
CD 700 063	63.5	212	148.5	1.17
CD 700 080	80	245	165	1.27
CD 700 100	100	285	185	1.40
CD 700 125	125	335	210	1.55
CD 700 160	160	405	245	1.77



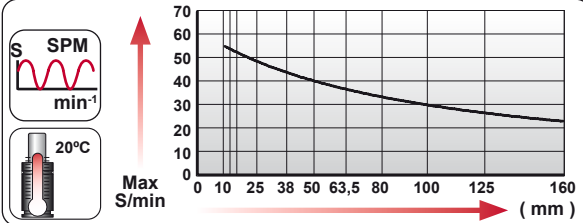
CODE				
	bar	psi	daN	daN
CD 700 050	140	2030	690	990
CD-H 700 050	0	0	---	---



**EQUIPPED WITH VDI - SAFETY**



	ENG ORDER DEU BESTELLUNG FRA COMMANDE ITA ORDINE ESP PEDIDO POR PEDIDO		
		daN	mm
<b>CD 700 050</b>		<b>700</b>	<b>50</b>



N <sub>2</sub>	S <sub>max</sub> < 90%	V <sub>max</sub> 1,6 m/s	P <sub>min</sub> (20°C)	P <sub>max</sub> (20°C)	T <sub>min</sub>	T <sub>max</sub>	600 CP-

bar	psi	bar	psi	°C	°F	°C	°F
20	290	150	2175	0	32	80	176



# CD 700 MOUNTS

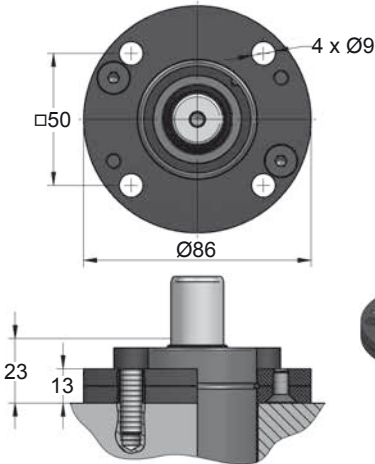
Heavy Duty

<b>MODEL</b>	<b>X</b>	CW 750 KZ 750	<b>X</b>	CT 700 CK 750 FD 500	<b>CM 600 CD 700</b>	AG 500	CPH 1250	<b>X</b>
<b>SERIES</b>	MINI	COMPACT HEIGHT	THREADED	LOW PROFILE	<b>HEAVY DUTY</b>	ISO	HEAVY LOAD	POWER COMPACT STROKE

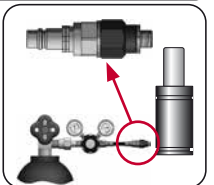
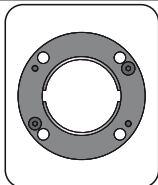
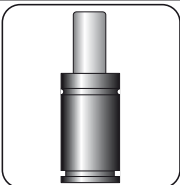
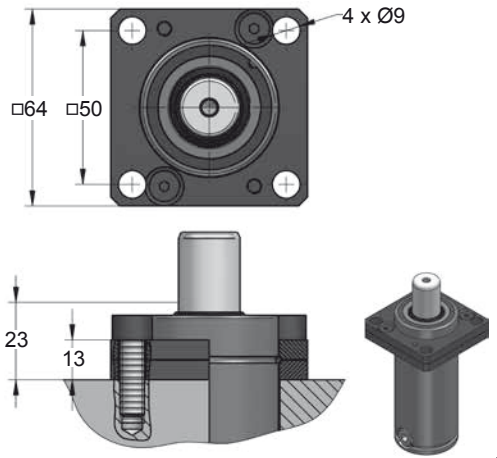
## A14-045



E24.54.815.G  
EM24.54.700.F



## A34-045



<b>CODE</b>	<b>CD 700 050</b>	<b>KIT S-XXXXXXX KIT C-XXXXXXX</b>	<b>A14-045</b>	<b>18 CG 1-Q</b>
ENG ORDER	GAS SPRING	REPAIR KIT	FLANGE	CHARGING ADAPTER
DEU BESTELLUNG	GASDRUCKFEDER	ERSATZTEILSATZ	FLANSCHEN	LADEADAPTER
FRA COMMANDE	RESSORT À GAZ	KIT DE RÉPARATION	BRIDE	RACCORD DE CHARGE
ITA ORDINE	CILINDRO AD AZOTO	KIT DI MANUTENZIONE	FLANGE	ADATTATORE DI CARICO
ESP PEDIDO	RESORTE DE GAS	KIT DE REPARACION	BRIDA	ADAPTADOR DE CARGA
POR PEDIDO	CILINDRO DE GÁS	KIT DE MANUTENÇÃO	FLANGE	ADAPTADOR DE CARGA