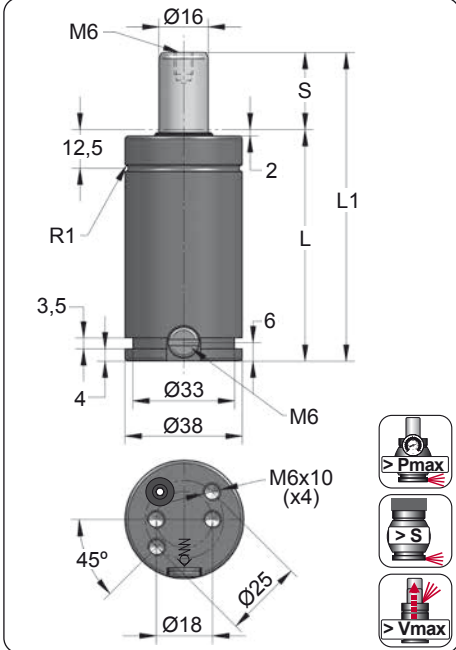


FD 300

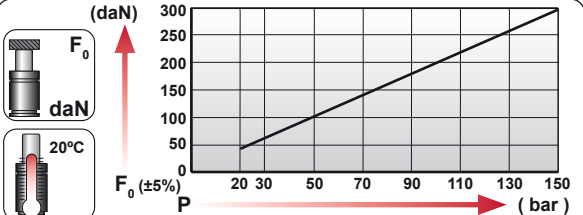
Low Profile



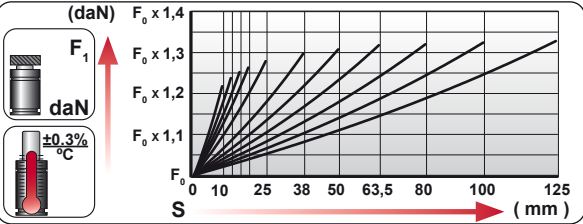
CODE	S (mm)	L1 ±0,25 (mm)	L (mm)	Kg.
FD 300 010	10	70	60	0.39
FD 300 013	13	76	63	0.40
FD 300 016	16	82	66	0.41
FD 300 019	19	88	69	0.43
FD 300 025	25	100	75	0.45
FD 300 038	38	126	88	0.51
FD 300 050	50	150	100	0.56
FD 300 063	63.5	177	113.5	0.62
FD 300 080	80	210	130	0.69
FD 300 100	100	250	150	0.77
FD 300 125	125	300	175	0.88



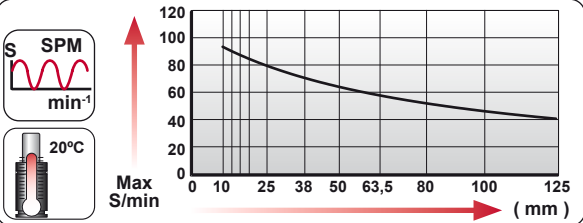
CODE	Image	Bar	psi	F ₀ daN	F ₁ daN
FD 300 050		150	2175	300	390
FD-H 300 050		0	0	---	---



EQUIPPED WITH VDI - SAFETY



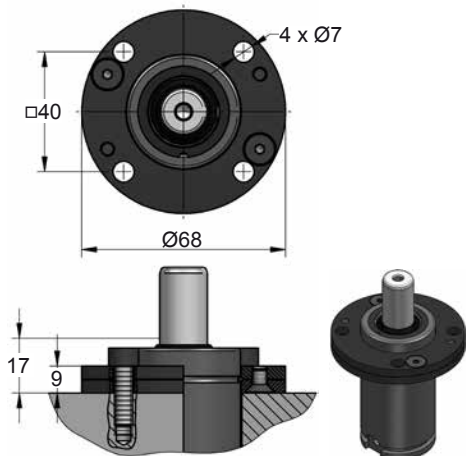
	ENG ORDER		F ₀
	DEU BESTELLUNG		S
	FRA COMMANDE	daN	mm
	ITA ORDINE		
	ESP PEDIDO		
POR PEDIDO			
FD 300 050	300	50	



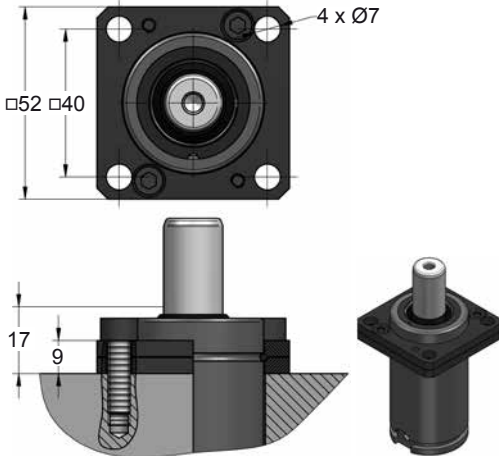
N ₂	S _{max} < 90%	V _{max} 1,6 m/s	P _{min} (20°C)	P _{max} (20°C)	T _{min}	T _{max}	600 CP-

bar	psi	bar	psi	°C	°F	°C	°F
20	290	150	2175	0	32	80	176

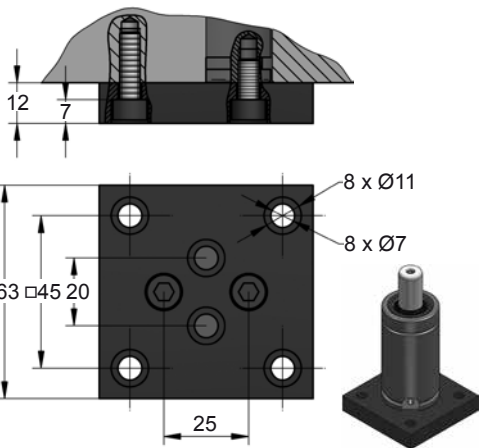
A14-038



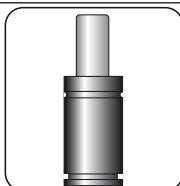
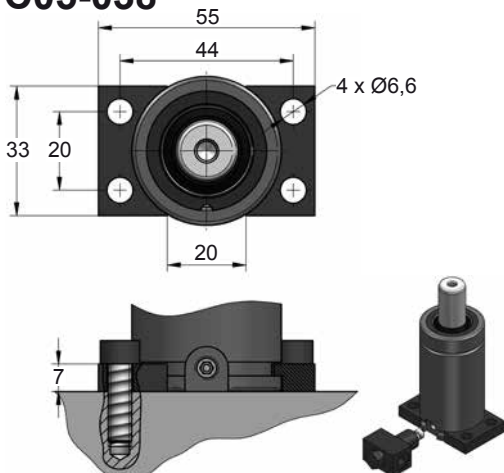
A34-038



B76-038



C05-038

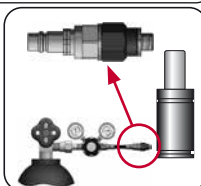
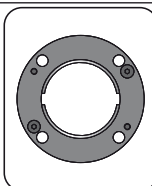


SEAL

KIT S-XXXXXXX

CARTRIDGE

KIT C-XXXXXXX



CODE	FD 300 050	KIT S-XXXXXXX KIT C-XXXXXXX	A14-038	06 CG 2-Q
ENG ORDER	GAS SPRING	REPAIR KIT	FLANGE	CHARGING ADAPTER
DEU BESTELLUNG	GASDRUCKFEDER	ERSATZTEILSATZ	FLANSCH	LADEADAPTER
FRA COMMANDE	RESSORT À GAZ	KIT DE RÉPARATION	BRIDE	RACCORD DE CHARGE
ITA ORDINE	CILINDRO AD AZOTO	KIT DI MANUTENZIONE	FLANGE	ADATTATORE DI CARICO
ESP PEDIDO	RESORTE DE GAS	KIT DE REPARACION	BRIDA	ADAPTADOR DE CARGA
POR PEDIDO	CILINDRO DE GAS	KIT DE MANUTENÇÃO	FLANGE	ADAPTADOR DE CARGA