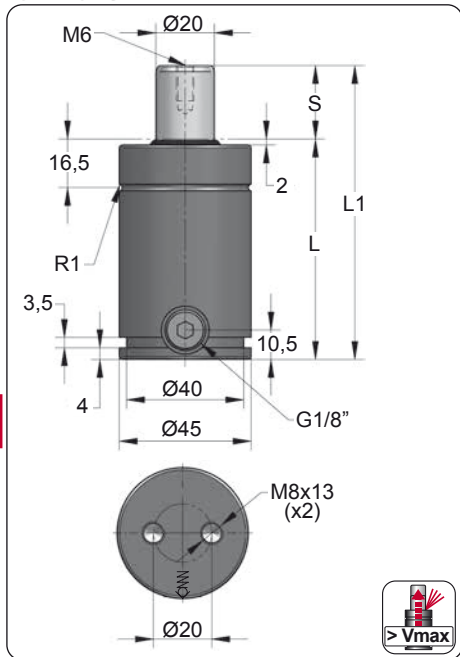


FD 500

Low Profile

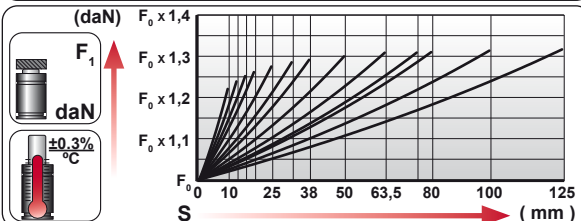
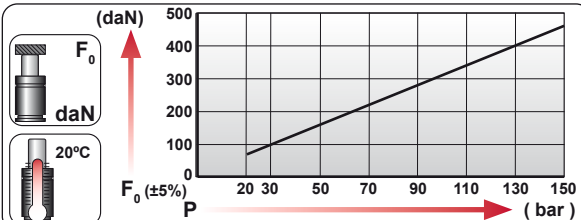
				RENAULT EM24.54.700



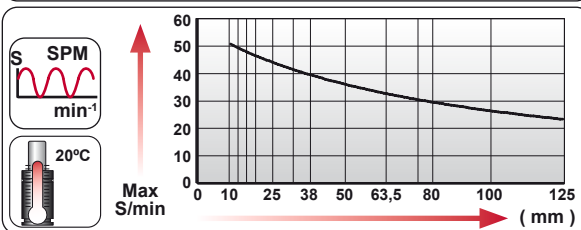
ORDER	S (mm)	L1 ±0,25 (mm)	L (mm)	Kg.
FD 500 010	10	70	60	0.54
FD 500 013	13	76	63	0.56
FD 500 016	16	82	66	0.57
FD 500 019	19	88	69	0.59
FD 500 025	25	100	75	0.62
FD 500 032	32	114	82	0.65
FD 500 038	38	126	88	0.68
FD 500 050	50	150	100	0.74
FD 500 063	63.5	177	113.5	0.81
FD 500 075	75	200	125	0.87
FD 500 080	80	210	130	0.89
FD 500 100	100	250	150	0.99
FD 500 125	125	300	175	1.12



CODE	Pressure	Force F ₀ (daN)	Force F ₁ (daN)
FD 500 050	150 bar / 2175 psi	470	610
FD-H 500 050	0 bar / 0 psi	---	---



<p>ENG ORDER</p> <p>DEU BESTELLUNG</p> <p>FRA COMMANDE</p> <p>ITA ORDINE</p> <p>ESP PEDIDO</p> <p>POR PEDIDO</p>	<p>FD 500</p> <p>50</p>
<p>FD 500 050</p>	



--	--	--	--	--	--

N ₂	Smax < 90%	Vmax 1,6 m/s	bar psi	bar psi	°C °F	°C °F	600 CP-
			20 290	150 2175	0 32	80 176	

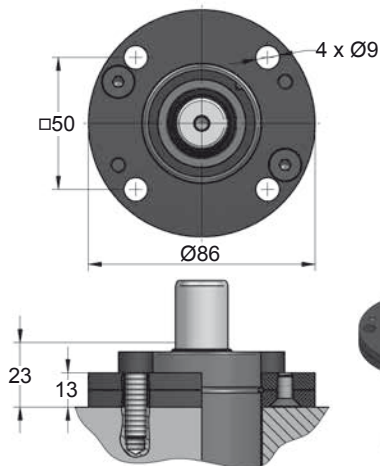


FD 500 MOUNTS

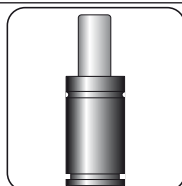
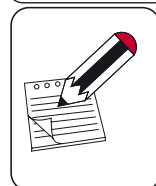
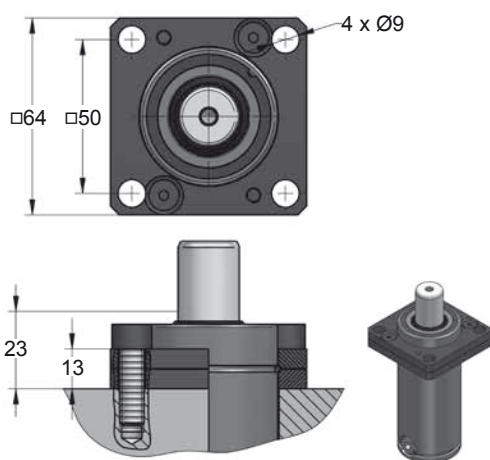
Low Profile

 	 L1=132 L1=147	 L1=138 L1=150 L1=150	 L1=160 L1=185	 L1=185	 L1=160								
MODEL	X	CW 750 KZ 750	X	CT 700 CK 750 FD 500	CM 600 CD 700	AG 500	CPH 1250	X					
SERIES	MINI	COMPACT HEIGHT	THREADED	LOW PROFILE	HEAVY DUTY	ISO	HEAVY LOAD	POWER COMPACT STROKE					

A14-045

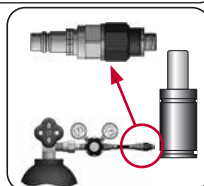
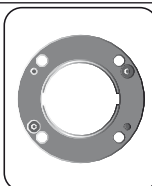


A34-045



SEAL
KIT S-XXXXXXX

CARTRIDGE
KIT C-XXXXXXX



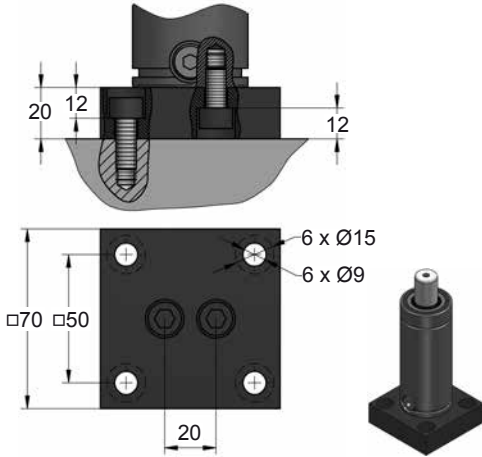
CODE	FD 500 050	KIT S-XXXXXXX KIT C-XXXXXXX	A14-045	18 CG 1-Q
ENG ORDER	GAS SPRING	REPAIR KIT	FLANGE	CHARGING ADAPTER
DEU BESTELLUNG	GASDRUCKFEDER	ERSATZTEILSATZ	FLANSCHEN	LADEADAPTER
FRA COMMANDE	RESSORT À GAZ	KIT DE RÉPARATION	BRIDE	RACCORD DE CHARGE
ITA ORDINE	CILINDRO AD AZOTO	KIT DI MANUTENZIONE	FLANGE	ADATTATORE DI CARICO
ESP PEDIDO	RESORTE DE GAS	KIT DE REPARACION	BRIDA	ADAPTADOR DE CARGA
POR PEDIDO	CILINDRO DE GÁS	KIT DE MANUTENÇÃO	FLANGE	ADAPTADOR DE CARGA

FD 500 MOUNTS

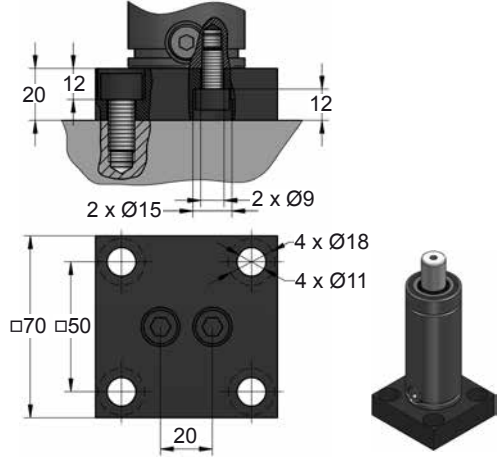
Low Profile

**AZOL
GAS**

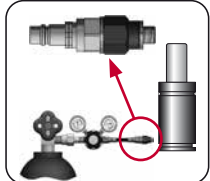
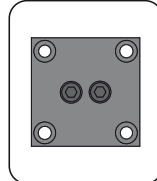
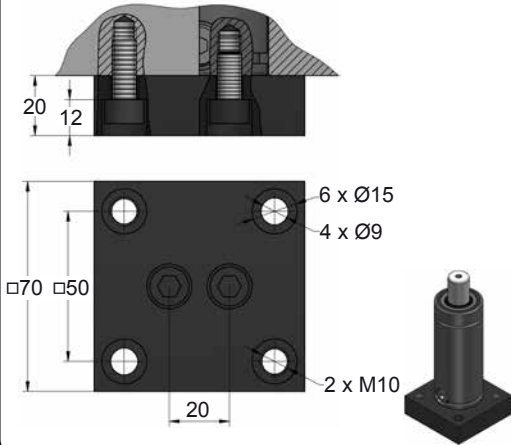
B21-045



B51-045



B76-045



CODE	FD 500 050	KIT S-XXXXXXX KIT C-XXXXXXX	B21-045	18 CG 1-Q
ENG ORDER	GAS SPRING	REPAIR KIT	FLANGE	CHARGING ADAPTER
DEU BESTELLUNG	GASDRUCKFEDER	ERSATZTEILSATZ	FLANSCHEN	LADEADAPTER
FRA COMMANDE	RESSORT À GAZ	KIT DE RÉPARATION	BRIDE	RACCORD DE CHARGE
ITA ORDINE	CILINDRO AD AZOTO	KIT DI MANUTENZIONE	FLANGE	ADATTATORE DI CARICO
ESP PEDIDO	RESORTE DE GAS	KIT DE REPARACION	BRIDA	ADAPTADOR DE CARGA
POR PEDIDO	CILINDRO DE GAS	KIT DE MANUTENÇÃO	FLANGE	ADAPTADOR DE CARGA

