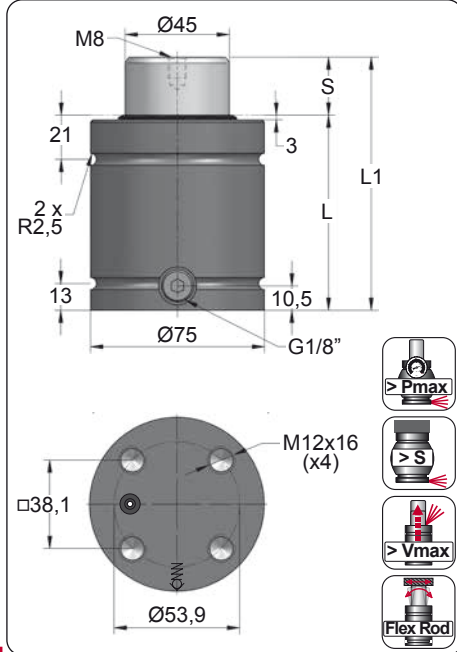


KT 2400

Compact Height

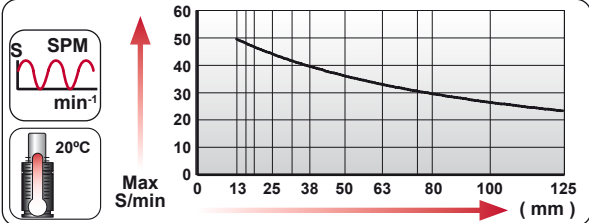
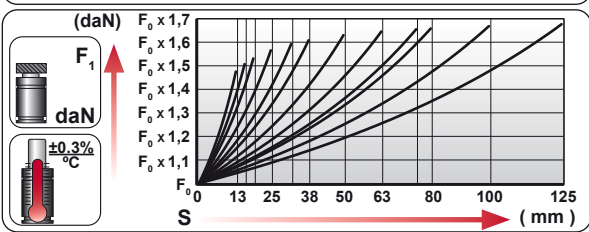
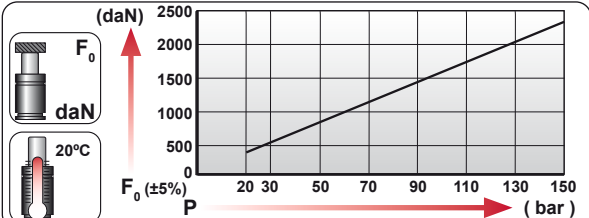
| | | |
|--------|--------------|--------------|
| | PSA | E24.54.815.G |
| | RENAULT | EM24.54.700 |
| TOYOTA | SMS DKH3221n | NISSAN K32R0 |



| ORDER | S (mm) | L1 ±0.25 (mm) | L (mm) | Kg. |
|-------------|--------|---------------|--------|------|
| KT 2400 013 | 13 | 85 | 72 | 1.81 |
| KT 2400 016 | 16 | 91 | 75 | 1.86 |
| KT 2400 019 | 19 | 97 | 78 | 1.91 |
| KT 2400 025 | 25 | 109 | 84 | 2.01 |
| KT 2400 032 | 32 | 123 | 91 | 2.13 |
| KT 2400 038 | 38 | 135 | 97 | 2.23 |
| KT 2400 050 | 50 | 159 | 109 | 2.44 |
| KT 2400 063 | 63 | 185 | 122 | 2.66 |
| KT 2400 075 | 75 | 209 | 134 | 2.87 |
| KT 2400 080 | 80 | 219 | 139 | 2.96 |
| KT 2400 100 | 100 | 259 | 159 | 3.30 |
| KT 2400 125 | 125 | 309 | 184 | 3.73 |



| CODE | Pressure Gauge | bar | psi | F ₀ daN | F ₁ daN |
|---------------|----------------|-----|------|--------------------|--------------------|
| KT 2400 050 | | 150 | 2175 | 2385 | 3890 |
| KT-H 2400 050 | | 0 | 0 | --- | --- |



EQUIPPED WITH VDI - SAFETY

| | | | |
|------------|----------------|-----|----|
| | ENG ORDER | | |
| | DEU BESTELLUNG | daN | mm |
| | FRA COMMANDE | | |
| | ITA ORDINE | | |
| | ESP PEDIDO | | |
| POR PEDIDO | | | |

KT 2400 050 **2400** **50**

| | | | | | | | |
|--|--|--|--|--|--|--|--|
| | | | | | | | |
|--|--|--|--|--|--|--|--|

| | | | | | | | |
|----------------|------------|--------------|---------|----------|-------|--------|---------|
| N ₂ | Smax < 90% | Vmax 1,6 m/s | bar psi | bar psi | °C °F | °C °F | 600 CP- |
| | | | 20 290 | 150 2175 | 0 32 | 80 176 | |

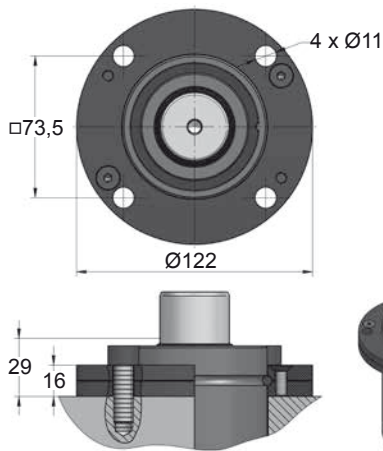


KT 2400 MOUNTS

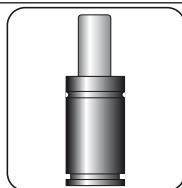
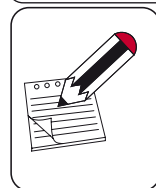
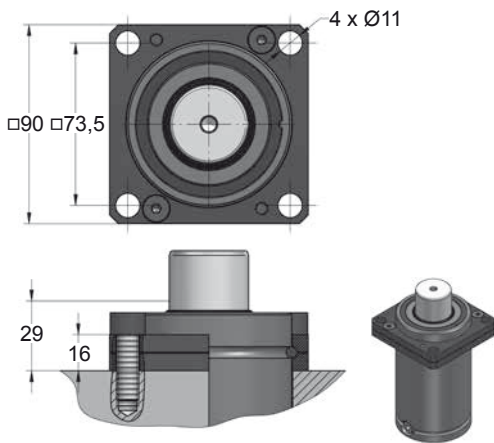
Compact Height

| | | | | | | | | |
|---------------|---------------|-------------------------------|---------------|-------------------------------|-------------------------------|---------------|---------------------|----------------------|
| | | | | | | | | |
| | | | | | | | | |
| | | | | | | | | |
| | 50 | 50 | 50 | 50 | 50 | 50 | 50 | 50 |
| | Ø75 | Ø75 | Ø75 | Ø75 | Ø75 | Ø75 | Ø75 | Ø75 |
| | L1=145 | L1=154 | L1=185 | L1=210 | L1=175 | L1=200 | L1=240 | |
| | L1=159 | L1=160 | L1=195 | | | | | |
| | L1=159 | L1=160 | L1=210 | | | | | |
| MODEL | X | CW 2400 KZ 2400 KT 2400 | X | CT 2500 CK 2500 FD 1500 | GN 1500 CM 2500 CD 2400 | AG 1500 | CPH 4300 CP 5000 | CS 4700 |
| SERIES | MINI | COMPACT HEIGHT | THREADED | LOW PROFILE | HEAVY DUTY | ISO | HEAVY LOAD | POWER COMPACT STROKE |
| | | | | | | | | |

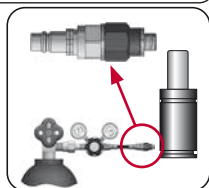
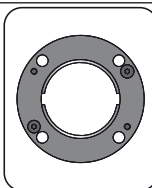
A14-075



A34-075



SEAL KIT S-XXXXXXX
CARTRIDGE KIT C-XXXXXXX



| | | | | |
|----------------|--------------------|--|----------------|----------------------|
| CODE | KT 2400 050 | KIT S-XXXXXXX KIT C-XXXXXXX | A14-075 | 18 CG 1-Q |
| ENG ORDER | GAS SPRING | REPAIR KIT | FLANGE | CHARGING ADAPTER |
| DEU BESTELLUNG | GASDRUCKFEDER | ERSATZTEILSATZ | FLANSCHEN | LADEADAPTER |
| FRA COMMANDE | RESSORT À GAZ | KIT DE RÉPARATION | BRIDE | RACCORD DE CHARGE |
| ITA ORDINE | CILINDRO AD AZOTO | KIT DI MANUTENZIONE | FLANGE | ADATTATORE DI CARICO |
| ESP PEDIDO | RESORTE DE GAS | KIT DE REPARACION | BRIDA | ADAPTADOR DE CARGA |
| POR PEDIDO | CILINDRO DE GÁS | KIT DE MANUTENÇÃO | FLANGE | ADAPTADOR DE CARGA |

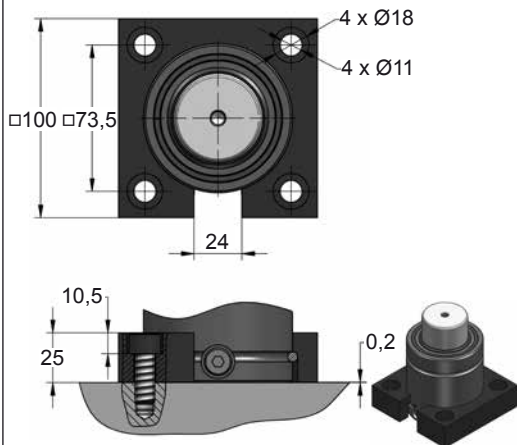
KT 2400 MOUNTS

Compact Height

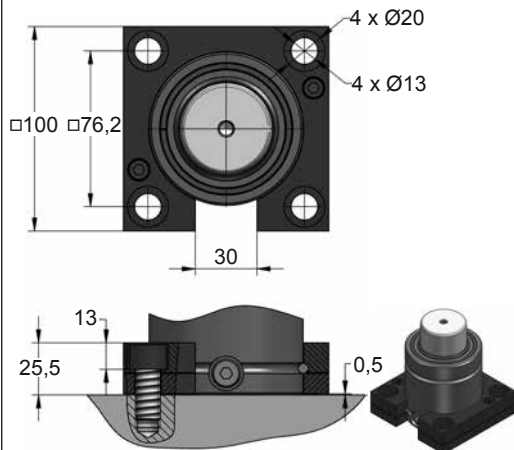
AZOL
GAS

AX9-075

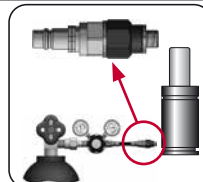
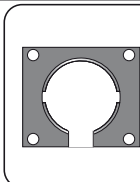
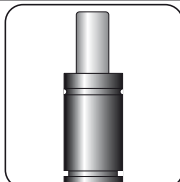
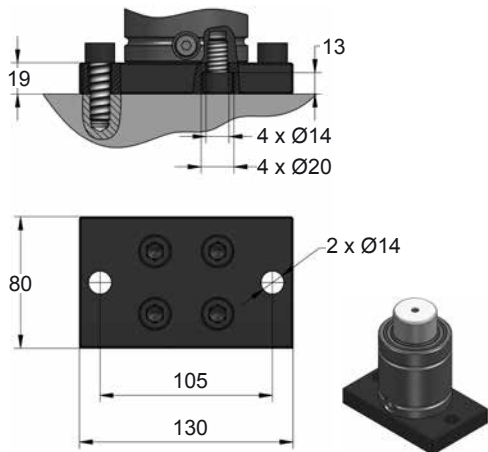
E24.54.815.G



AY4-075



B33-075

K32 D2
EM24.54.700/F

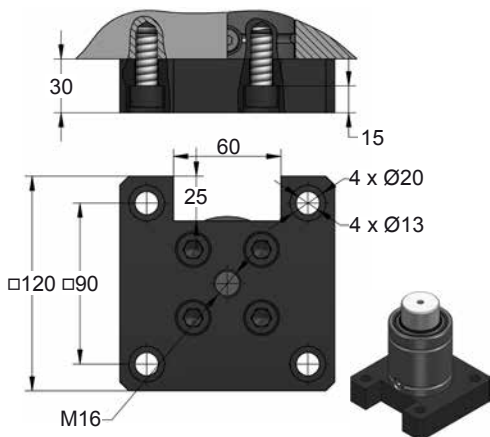
| CODE | KT 2400 050 | KIT S-XXXXXXX KIT C-XXXXXXX | AX9-075 | 18 CG 1-Q |
|----------------|-------------------|--------------------------------|-----------|----------------------|
| ENG ORDER | GAS SPRING | REPAIR KIT | FLANGE | CHARGING ADAPTER |
| DEU BESTELLUNG | GASDRUCKFEDER | ERSATZTEILSATZ | FLANSCHEN | LADEADAPTER |
| FRA COMMANDE | RESSORT À GAZ | KIT DE RÉPARATION | BRIDE | RACCORD DE CHARGE |
| ITA ORDINE | CILINDRO AD AZOTO | KIT DI MANUTENZIONE | FLANGE | ADATTATORE DI CARICO |
| ESP PEDIDO | RESORTE DE GAS | KIT DE REPARACION | BRIDA | ADAPTADOR DE CARGA |
| POR PEDIDO | CILINDRO DE GÁS | KIT DE MANUTENÇÃO | FLANGE | ADAPTADOR DE CARGA |

KT 2400 MOUNTS

Compact Height

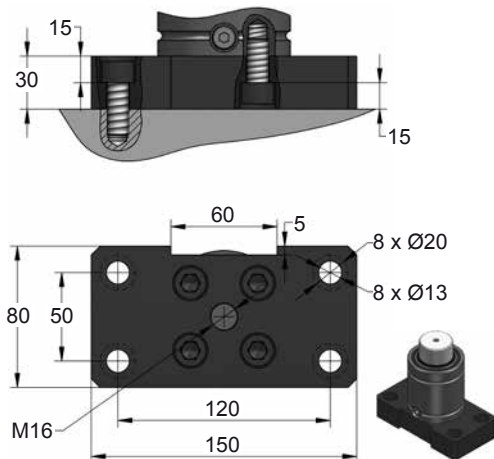
B56-075

SMS DKH 3221n



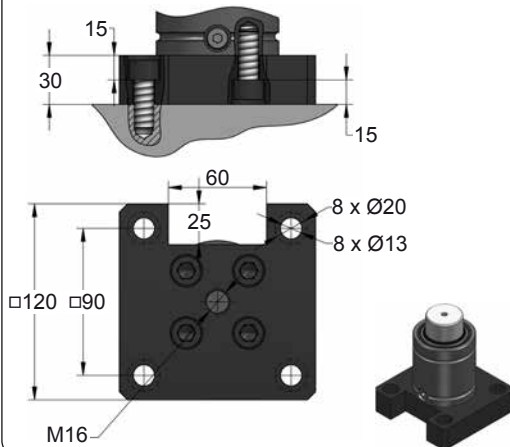
B61-075

SMS DKH 3221n



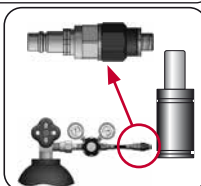
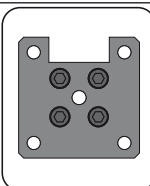
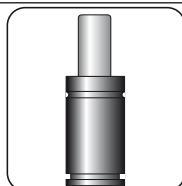
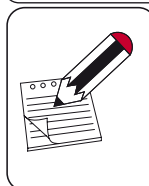
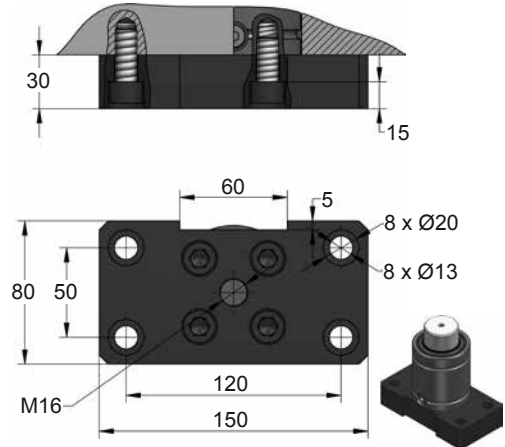
B66-075

SMS DKH 3221n



B71-075

SMS DKH 3221n



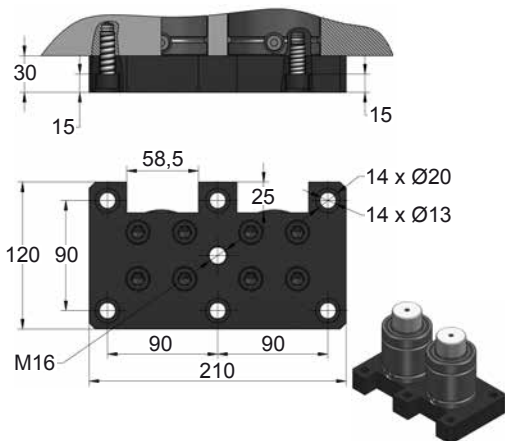
| CODE | KT 2400 050 | KIT S-XXXXXXX KIT C-XXXXXXX | B56-075 | 18 CG 1-Q |
|----------------|-------------------|--------------------------------|-----------|----------------------|
| ENG ORDER | GAS SPRING | REPAIR KIT | FLANGE | CHARGING ADAPTER |
| DEU BESTELLUNG | GASDRUCKFEDER | ERSATZTEILSATZ | FLANSCHEN | LADEADAPTER |
| FRA COMMANDE | RESSORT À GAZ | KIT DE RÉPARATION | BRIDE | RACCORD DE CHARGE |
| ITA ORDINE | CILINDRO AD AZOTO | KIT DI MANUTENZIONE | FLANGE | ADATTATORE DI CARICO |
| ESP PEDIDO | RESORTE DE GAS | KIT DE REPARACION | BRIDA | ADAPTADOR DE CARGA |
| POR PEDIDO | CILINDRO DE GAS | KIT DE MANUTENÇÃO | FLANGE | ADAPTADOR DE CARGA |

KT 2400 MOUNTS

Compact Height

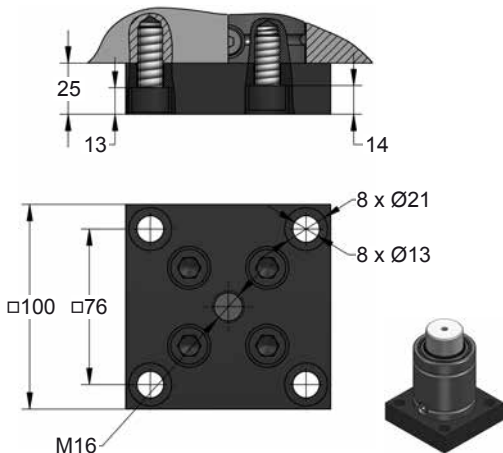
AZOL
GAS

B88-075

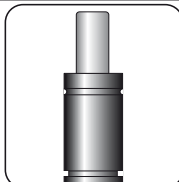
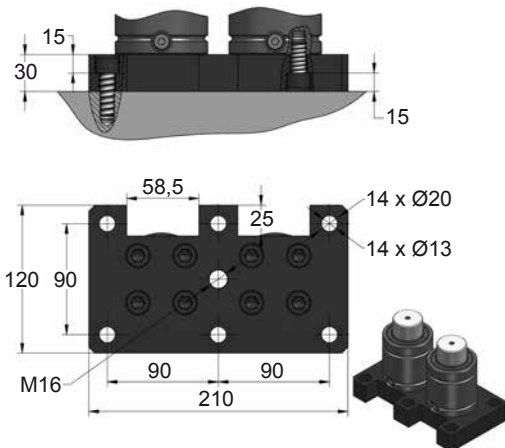


B91-075

E24.54.815.G



B93-075

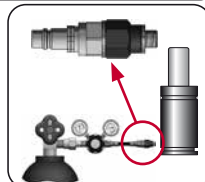
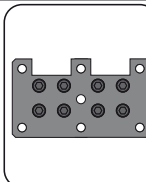


SEAL

KIT S-XXXXXXX

CARTRIDGE

KIT C-XXXXXXX



| CODE | KT 2400 050 | KIT S-XXXXXXX KIT C-XXXXXXX | B88-075 | 18 CG 1-Q |
|------|-------------|--------------------------------|-----------|----------------------|
| ENG | ORDER | GAS SPRING | FLANGE | CHARGING ADAPTER |
| DEU | BESTELLUNG | GASDRUCKFEDER | FLANSCHEN | LADEADAPTER |
| FRA | COMMANDE | RESSORT À GAZ | BRIDE | RACCORD DE CHARGE |
| ITA | ORDINE | CILINDRO AD AZOTO | FLANGE | ADATTATORE DI CARICO |
| ESP | PEDIDO | RESORTE DE GAS | BRIDA | ADAPTADOR DE CARGA |
| POR | PEDIDO | CILINDRO DE GÁS | FLANGE | ADAPTADOR DE CARGA |



KT 2400 MOUNTS

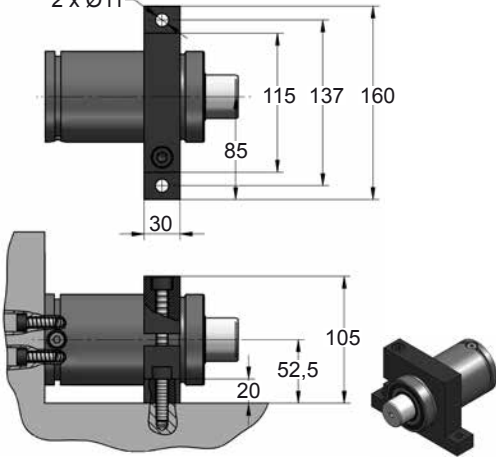
Compact Height

D02-075

2 x Ø11

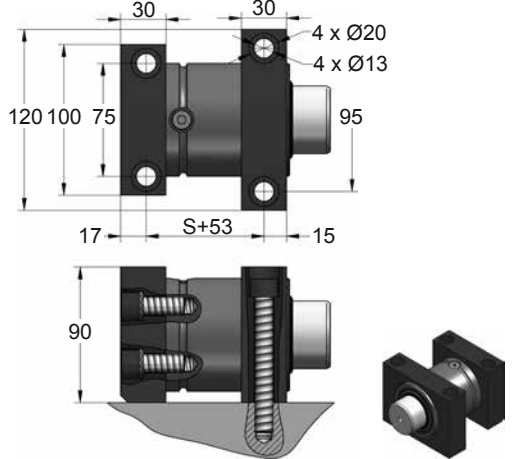


E24.54.815.G
EM24.54.700F

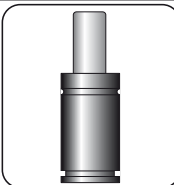
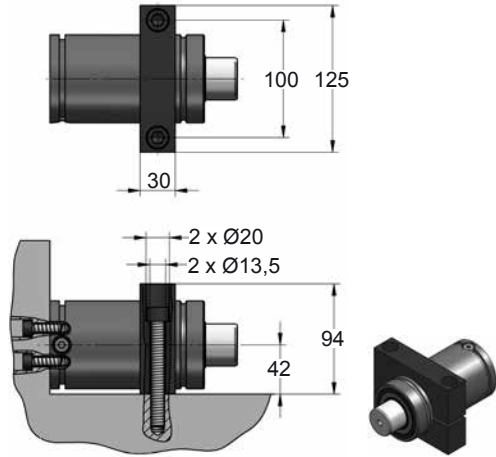


D47-075

SMS DNH 3203n



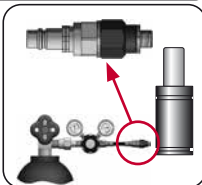
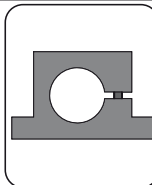
D67-075



SEAL
KIT S-XXXXXXX



CARTRIDGE
KIT C-XXXXXXX



| CODE | KT 2400 050 | KIT S-XXXXXXX KIT C-XXXXXXX | D02-075 | 18 CG 1-Q |
|----------------|-------------------|--------------------------------|-----------|----------------------|
| ENG ORDER | GAS SPRING | REPAIR KIT | FLANGE | CHARGING ADAPTER |
| DEU BESTELLUNG | GASDRUCKFEDER | ERSATZTEILSATZ | FLANSCHEN | LADEADAPTER |
| FRA COMMANDE | RESSORT À GAZ | KIT DE RÉPARATION | BRIDE | RACCORD DE CHARGE |
| ITA ORDINE | CILINDRO AD AZOTO | KIT DI MANUTENZIONE | FLANGE | ADATTATORE DI CARICO |
| ESP PEDIDO | RESORTE DE GAS | KIT DE REPARACION | BRIDA | ADAPTADOR DE CARGA |
| POR PEDIDO | CILINDRO DE GAS | KIT DE MANUTENÇÃO | FLANGE | ADAPTADOR DE CARGA |