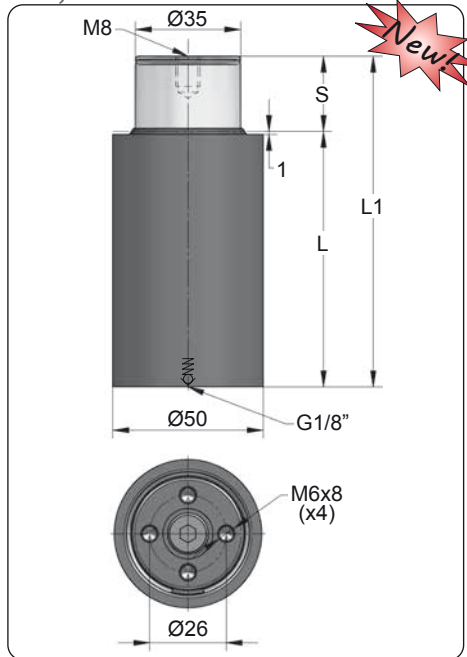


CPH 1700 V2

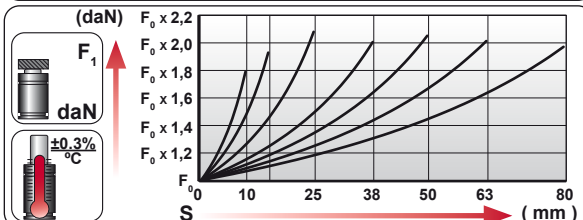
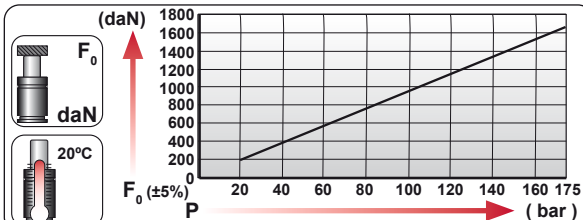
Heavy Load



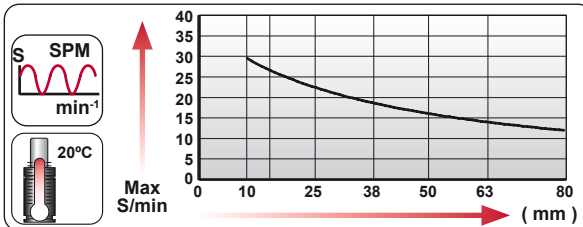
ORDER	S (mm)	L1 ±0,25 (mm)	L (mm)	Kg.
CPH 1700 010 V2	10	80	70	0.88
CPH 1700 015 V2	15	90	75	0.93
CPH 1700 025 V2	25	110	85	1.03
CPH 1700 038 V2	38	140	102	1.18
CPH 1700 050 V2	50	165	115	1.31
CPH 1700 063 V2	63	195	132	1.46
CPH 1700 080 V2	80	235	155	1.66



CODE				
	bar	psi	daN	daN
CPH 1700 050 V2	170	2465	1635	3360
-----	---	---	---	---



ENG ORDER	DEU BESTELLUNG	FRA COMMANDE	ITA ORDINE	ESP PEDIDO	POR PEDIDO
CPH	1700	50			
CPH 1700 050 V2					



N ₂	S _{max} < 90%	V _{max} 0,5 m/s	P _{min} (20°C)	P _{max} (20°C)	T _{min}	T _{max}	

bar	psi	bar	psi	°C	°F	°C	°F	
20	290	175	2540	0	32	80	176	

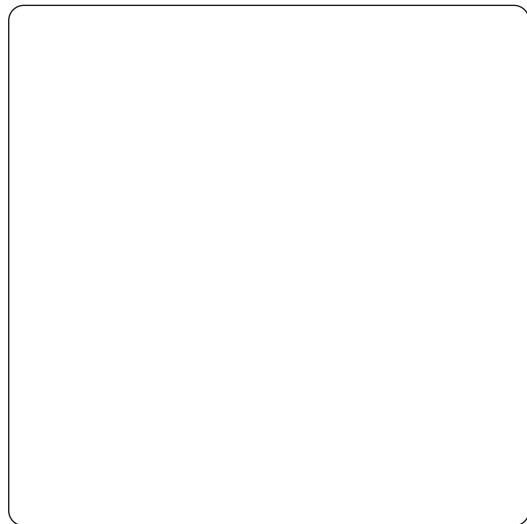


CPH 1700 V2 MOUNTS

Heavy Load

s mm mm mm	<p>50</p> <p>Ø50</p> <p>L1=138</p> <p>L1=152</p>	<p>50</p> <p>Ø50</p> <p>L1=138</p> <p>L1=150</p> <p>L1=150</p>	<p>50</p> <p>Ø50</p> <p>L1=170</p> <p>L1=185</p> <p>L1=195</p>	<p>50</p> <p>Ø50</p> <p>L1=195</p>	<p>50</p> <p>Ø50</p> <p>L1=165</p> <p>L1=175</p>	<p>50</p> <p>Ø50</p> <p>L1=220</p>		
MODEL	X CW 1000 KZ 1000	X	CT 1000 CK 1000 FD 750	GN 750 CM 1000 CD 1000	AG 750	CPH 1700 CP 2000	CS 1800	
SERIES	MINI 	COMPACT HEIGHT 	THREADED 	LOW PROFILE 	HEAVY DUTY 	ISO 	HEAVY LOAD 	POWER COMPACT STROKE

When using CP series mounted by screws the gas spring must be supported at all the times.
A flat support surface in contact with the whole surface of the gas spring body is always required.



		SEAL KIT S-XXXXXXX		
--	--	---------------------------	--	--

CODE	CPH 1700 050 V2	KIT S-XXXXXXX	X	18 CG 1-Q
ENG ORDER	GAS SPRING	REPAIR KIT	FLANGE	CHARGING ADAPTER
DEU BESTELLUNG	GASDRUCKFEDER	ERSATZTEILSATZ	FLANSCHEN	LADEADAPTER
FRA COMMANDE	RESSORT À GAZ	KIT DE RÉPARATION	BRIDE	RACCORD DE CHARGE
ITA ORDINE	CILINDRO AD AZOTO	KIT DI MANUTENZIONE	FLANGE	ADATTATORE DI CARICO
ESP PEDIDO	RESORTE DE GAS	KIT DE REPARACION	BRIDA	ADAPTADOR DE CARGA
POR PEDIDO	CILINDRO DE GÁS	KIT DE MANUTENÇÃO	FLANGE	ADAPTADOR DE CARGA