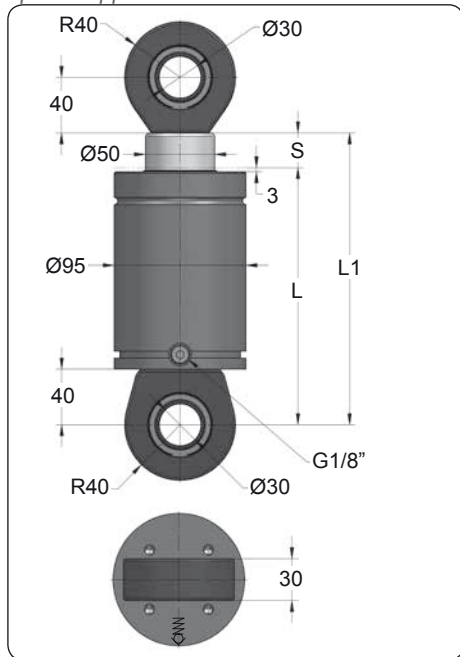


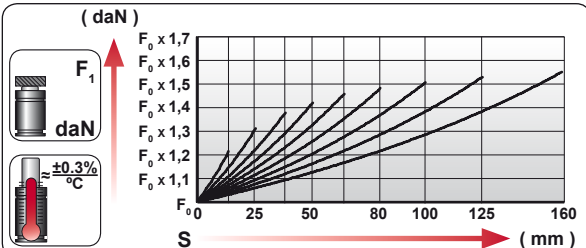
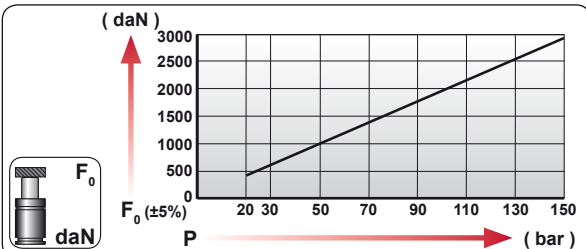
# ROB 3000

Special Applications



ORDER	S (mm)	L1 ±0,25 (mm)	L (mm)	Kg.
ROB 3000 012	12.7	185.4	172.7	7.68
ROB 3000 025	25	210	185	7.98
ROB 3000 038	38	236	198	8.44
ROB 3000 050	50	260	210	8.98
ROB 3000 063	63.5	287	223.5	9.38
ROB 3000 080	80	320	240	10.39
ROB 3000 100	100	360	260	10.58
ROB 3000 125	125	410	285	11.16
ROB 3000 160	160	480	320	12.26

CODE					
		bar	psi		
ROB 3000 050		150	2175	2945	4180
-----		---	---	---	---



	ENG ORDER DEU BESTELLUNG FRA COMMANDE ITA ORDINE ESP PEDIDO POR PEDIDO		
		daN	mm
		<b>ROB 3000</b>	<b>50</b>
		<b>ROB 3000 050</b>	

	SEAL KIT S-XXXXXXX		CARTRIDGE KIT C-XXXXXXX		<b>18 CG 1-Q</b>
	<b>KIT S-XXXXXXX</b>		<b>KIT C-XXXXXXX</b>		
ENG DEU FRA ITA ESP POR	REPAIR KIT ERSATZ KIT DE RÉPARATION KIT DI MANUTENZIONE KIT DE REPARACION KIT DE MANUTENÇÃO	CHARGING ADAPTER LADEADAPTER RACCORD DE CHARGE ADATTATORE DI CARICO ADAPTADOR DE CARGA ADAPTADOR DE CARGA			

N <sub>2</sub>	S <sub>max</sub> < 90%	V <sub>max</sub> 1,6 m/s	P <sub>min</sub> (20°C)	P <sub>max</sub> (20°C)	T <sub>min</sub>	T <sub>max</sub>	600 CP-
			bar psi	bar psi	°C °F	°C °F	
			20 290	150 2175	0 32	80 176	