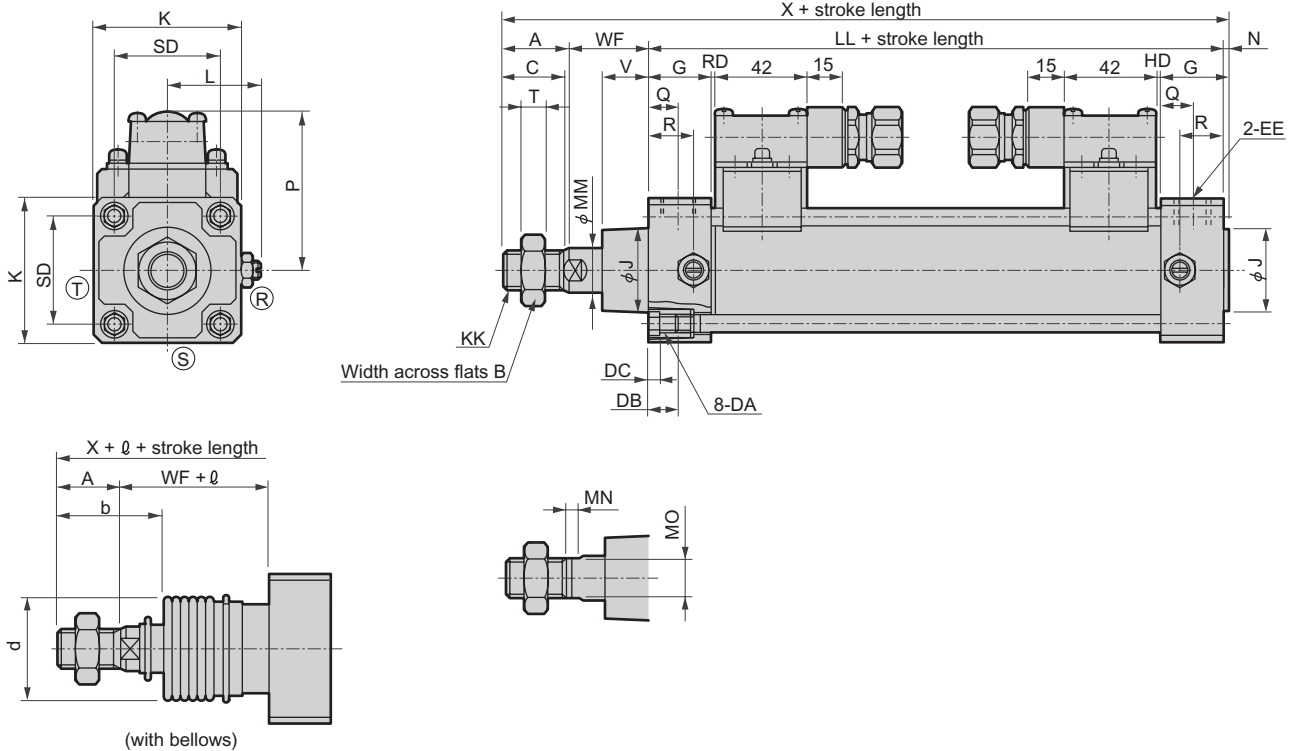


Dimensions



● SCA2-L2T-**



Note 1: Refer to page 598, 599 for accessory dimensions.

Symbol	Basic type (00) basic dimensions																					
	A	B	C	D	DA	DB	DC	EE	F	G	J	K	KK	L	LL	MM	MN	MO	N	Q	SD	T
φ40	22	22	20	18	M8	12	4	Rc1/4	7.5	26	31	57	M14 x 1.5	38 to 39.5	93	16	8	14	2	13	40.5	8
φ50	28	27	26	20	M8	12	4	Rc3/8	0	28	38	66	M18 x 1.5	41 to 43.5	101	20	8	17	2.5	14	48	11
φ63	28	27	26	22	M8	12	4	Rc3/8	0	30	38	80	M18 x 1.5	47.5 to 50.0	105	20	8	17	3	15	59	11
φ80	36	32	34	26	M12	16	5	Rc1/2	0	34	43	98	M22 x 1.5	56 to 59	116	25	11	22	3.5	17	74	13
φ100	45	41	43	28	M12	16	5	Rc1/2	0	36	51	118	M26 x 1.5	66 to 69	128	30	13	27	4	18	90	16

Symbol	With bellows														With switch			
	V	WF	X	A	X	b	d	ℓ							HD	P	RD	
								50 or less	50 to 100	100 to 150	150 to 200	200 to 300	300 to 400	400 to 500				Over 500
φ40	18.5	33.5	150.5	22	150.5	41	40	25.5	41.5	58.5	75.5	108.5	141.5	174.5	(stroke length/3.0) + 8	0	68	0
φ50	20.5	37	168.5	28	168.5	47	48	22	36	49	63	90	119	146	(stroke length/3.6) + 7.5	1.5	72	1.5
φ63	21	35	171	28	171	45	48	22	36	49	63	90	119	146	(stroke length/3.6) + 7.5	1.5	79	1.5
φ80	23.5	48	203.5	36	203.5	58.5	55	14	26	38	49	72	96	119	(stroke length/4.3) + 2.5	3	89	3
φ100	32	53	230	45	230	69.5	65	20	32	42	53	76	98	120	(stroke length/4.5) + 9	7	99	7

* Round up decimal places.

Note: Each mounting style installation dimension is same as SCA2 (standard). Refer to pages 450 to 455.

- SCP*2
- CMK2
- CMA2
- SCM
- SCG
- SCA2**
- SCS
- CKV2
- CA/OV2
- SSD
- CAT
- MDC2
- MVC
- SMD2
- MSD*
- FC*
- STK
- ULK*
- JSK/M2
- JSG
- JSC3
- USSD
- USC
- JSB3
- LMB
- STG
- STS/L
- LCS
- LCG
- LCM
- LCT
- LCY
- STR2
- UCA2
- HCM
- HCA
- SRL2
- SRG
- SRM
- SRT
- MRL2
- MRG2
- SM-25
- CAC3
- UCAC
- RCC2
- MFC
- SHC
- GLC
- Ending

Medium bore size cylinder
Standard type