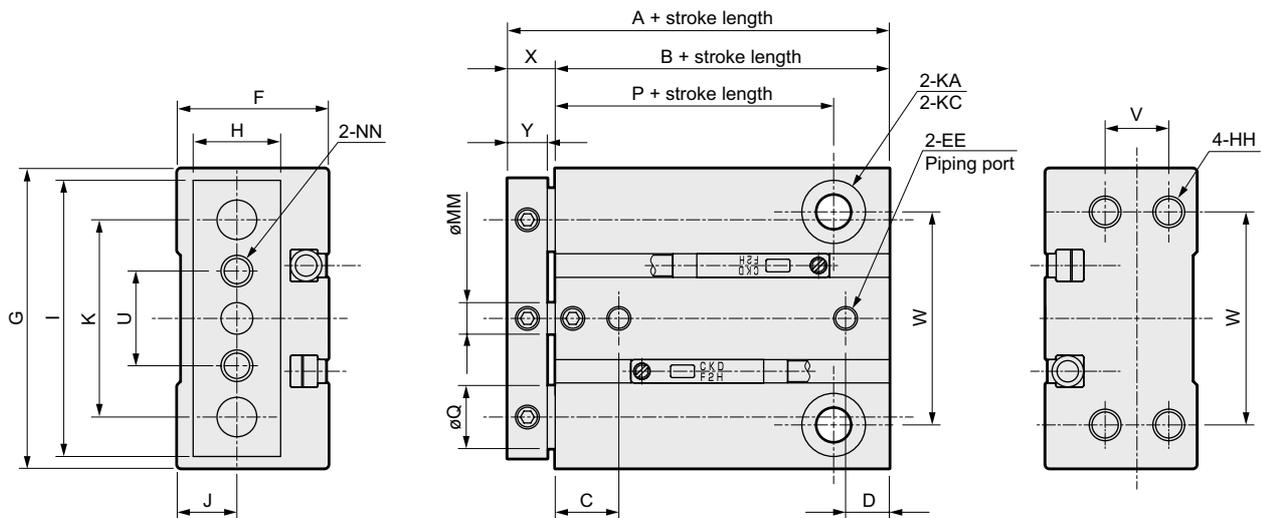


Dimensions

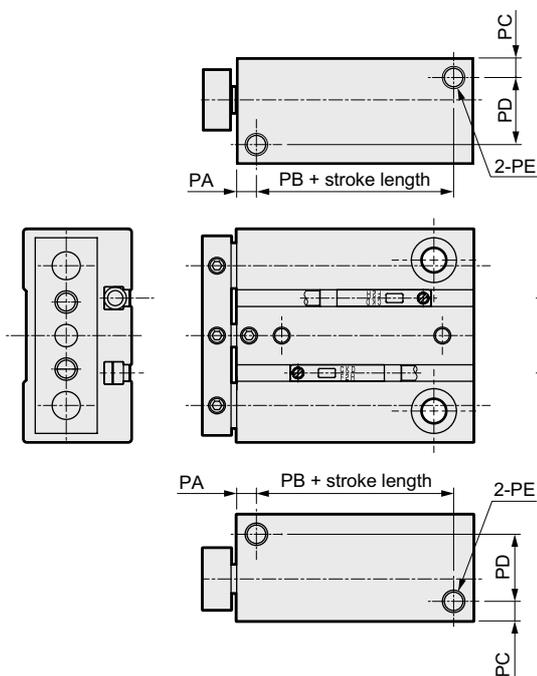


Symbol	Standard stroke length (mm)	A	B	C	D	EE	F	G	H	HH	I	J	K	KA
Bore size (mm)														
6	5, 10, 15	30	24	7.5	5	M3	15.5	33	9	M3 depth 5	31	6	23	3.4 penetrating
10	5, 10, 15, 20	34	28	8.5	7	M3	19	38	11	M4 depth 5	35	7.5	25	4.3 penetrating

Symbol	KC	MM	NN	P	Q		U	V	W	X	Y
Bore size (mm)					STM-M	STM-B					
6	6.1 spot face depth 3.3	3	M3 penetrating	17	6	4	12	6	25	6	5
10	8 spot face depth 4.4	4	M4 penetrating	20.5	8	5	12	8	27	6	5

Dimensions with options

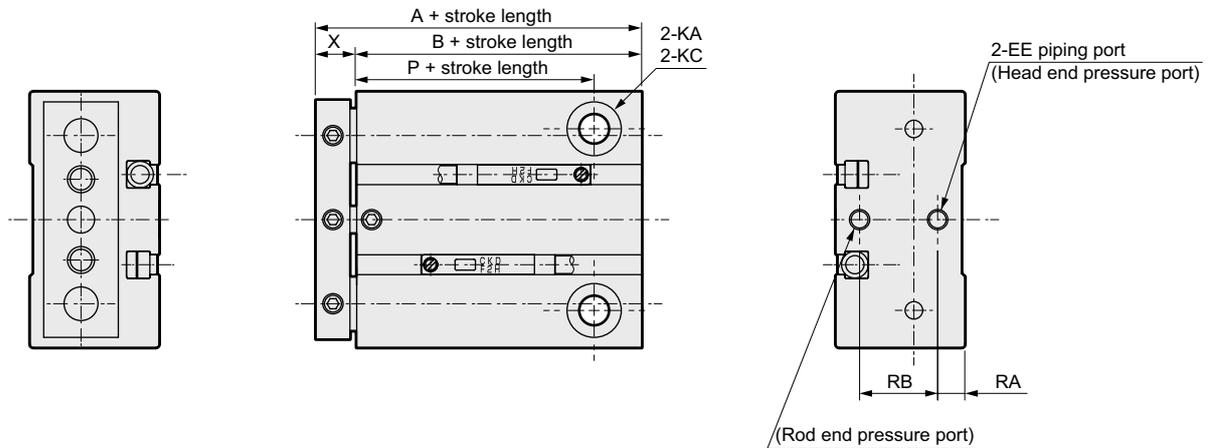
- Side installation type (A)



Symbol	Standard stroke length (mm)	PA	PB	PC	PD	PE
Bore size (mm)						
6	5, 10, 15	3	18	3	10	M3 depth 5
10	5, 10, 15, 20	4	21	4	12	M4 depth 5

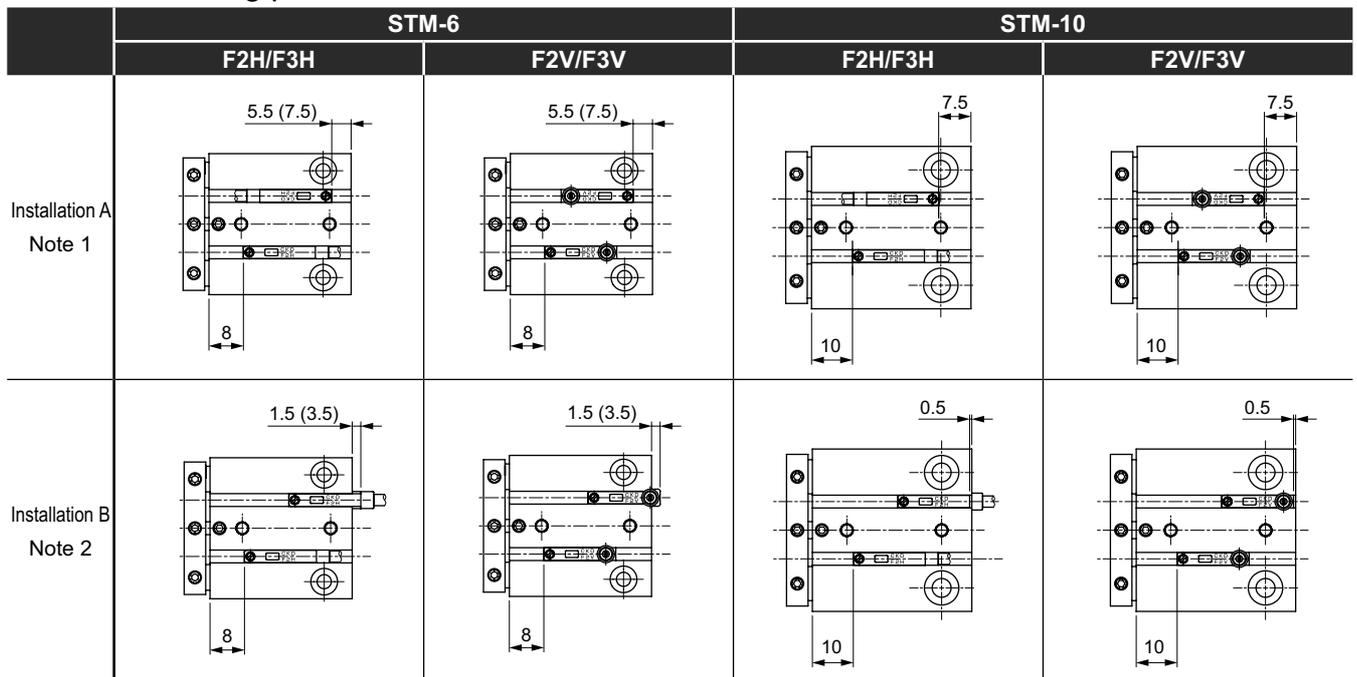
Dimensions with options

● Rear piping type (R)



Symbol	Standard stroke length (mm)	A	B	EE	KA	KC	P	RA	RB
Bore size (mm)									
6	5, 10, 15	32	26	M3	3.4 penetrating	6.1 spot face depth 3.3	17	4	8
10	5, 10, 15, 20	34	28	M3	4.3 penetrating	8 spot face depth 4.4	20.5	4	12

Switch installing position



Note 1: The product is shipped in Installation A with the switch assembled.

Note 2: If the switch is installed as shown in Installation B, it may protrude from the main device.

If the switch protrudes from the cylinder and the product is installed on the head, the switch will interfere with the system.

Note 3: Dimensions in () apply to rear piping.