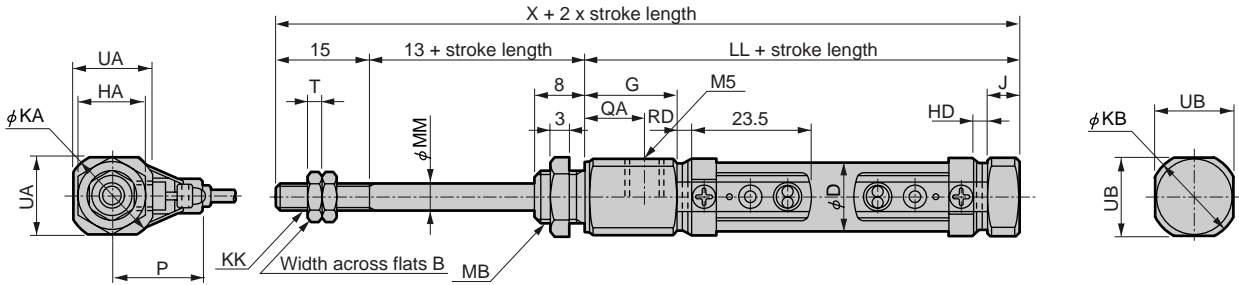




Dimensions

● SCPH2-(L) basic type (00)



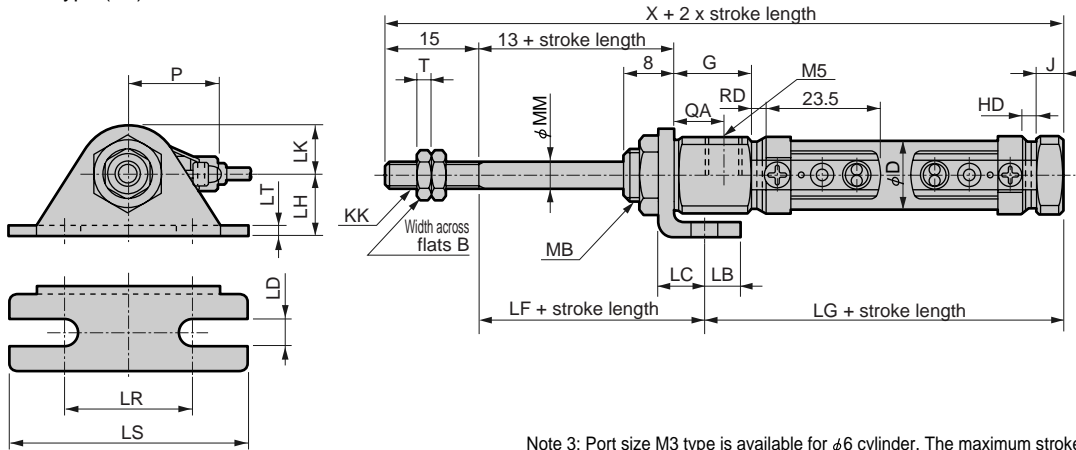
Note 1: Refer to page 79 for the X and LL dimensions of the custom stroke length.
 Note 2: Without switch dimensions are also same. (Magnet is not integrated.)

Note 3: Port size M3 type is available for φ6 cylinder. The maximum stroke for φ6 is 100 mm.
 Note 4: The φ6 and φ10 port thread depth is 3.8 mm. When using a joint, prepare a joint with a thread length of 3.8 mm or less.
 Note 5: Refer to page 78 for dimensions drawings of accessories.

Symbol	Basic type (00) basic dimensions													MB	MM	QA			
	B	D	G	HA	J	KA	KB	KK	LL										
Bore size (mm)	15 or less	15 to 30	30 to 45	45 to 60	60 to 75	75 to 90	90 to 105	105 to 120	15 or less	15 to 30	30 to 45	45 to 60	60 to 75	75 to 90	90 to 105	105 to 120			
φ6	5.5	6.8	17	8	3	13.5	9	M3	54	66	78	90	102	114	126	-	M6	3	13
φ10	7	11	12.5	11	4	14.5	14.5	M4	53	65	77	89	101	113	125	137	M8 x 1.0	4	8
φ16	8	17.4	13	14	4	21.5	21.5	M5	53	65	77	89	101	113	125	137	M10 x 1.0	5	8.5

Symbol	With switch																				
	T	UA	UB	X						RD	P	HD									
Bore size (mm)	15 or less	15 to 30	30 to 45	45 to 60	60 to 75	75 to 90	90 to 105	105 to 120	15 or less	15 to 30	30 to 45	45 to 60	60 to 75	75 to 90	90 to 105	105 to 120					
φ6	1.8	11	8	82	94	106	118	130	142	154	-	2	14	12	24	36	48	60	72	84 (*1)	-
φ10	2.4	12	12	81	93	105	117	129	141	153	165	3	16	13	25	37	49	61	73	85	97
φ16	3.2	18	18	81	93	105	117	129	141	153	165	2.5	19	13.5	25.5	37.5	49.5	61.5	73.5	85.5	97.5

● Single axial foot type (LS)



Note 1: Refer to page 79 for the X and LL dimensions of the custom stroke length.
 Note 2: Without switch dimensions are also same. (Magnet is not integrated.)

Note 3: Port size M3 type is available for φ6 cylinder. The maximum stroke for φ6 is 100 mm.
 Note 4: The φ6 and φ10 port thread depth is 3.8 mm. When using a joint, prepare a joint with a thread length of 3.8 mm or less.
 Note 5: Refer to page 78 for dimensions drawings of accessories.

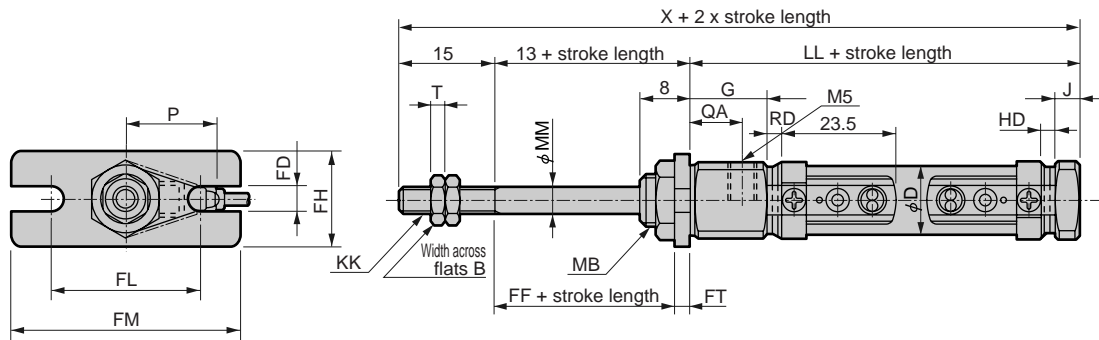
Symbol	Single axial foot type (LS) basic dimensions													Installation dimensions								
	B	D	G	J	KA	KB	MM	QA	T	X						LB	LC	LD	LF	LG		
Bore size (mm)	15 or less	15 to 30	30 to 45	45 to 60	60 to 75	75 to 90	90 to 105	105 to 120	15 or less	15 to 30	30 to 45	45 to 60	60 to 75	75 to 90	90 to 105	105 to 120						
φ6	5.5	6.8	17	3	M3	M6	3	13	1.8	82	94	106	118	130	142	154	-	5	7	4.2	18.4	48.6
φ10	7	11	12.5	4	M4	M8 x 1.0	4	8	2.4	81	93	105	117	129	141	153	165	5	7	4.2	18.4	47.6
φ16	8	17.4	13	4	M5	M10 x 1.0	5	8.5	3.2	81	93	105	117	129	141	153	165	6	9	5.2	19.7	46.3

Symbol	With switch																					
	LG						LH	LK	LR	LS	LT	RD	P	HD								
Bore size (mm)	15 to 30	30 to 45	45 to 60	60 to 75	75 to 90	90 to 105	105 to 120	15 or less	15 to 30	30 to 45	45 to 60	60 to 75	75 to 90	90 to 105	105 to 120							
φ6	60.6	72.6	84.6	96.6	108.6	120.6	-	9	7	22	32	1.6	2	14	12	24	36	48	60	72	84 (*1)	-
φ10	59.6	71.6	83.6	95.6	107.6	119.6	131.6	9	7	22	32	1.6	3	16	13	25	37	49	61	73	85	97
φ16	58.3	70.3	82.3	94.3	106.3	118.3	130.3	14	10	29	42	2.3	2.5	19	13.5	25.5	37.5	49.5	61.5	73.5	85.5	97.5

Dimensions



● Rod side flange type (FA)



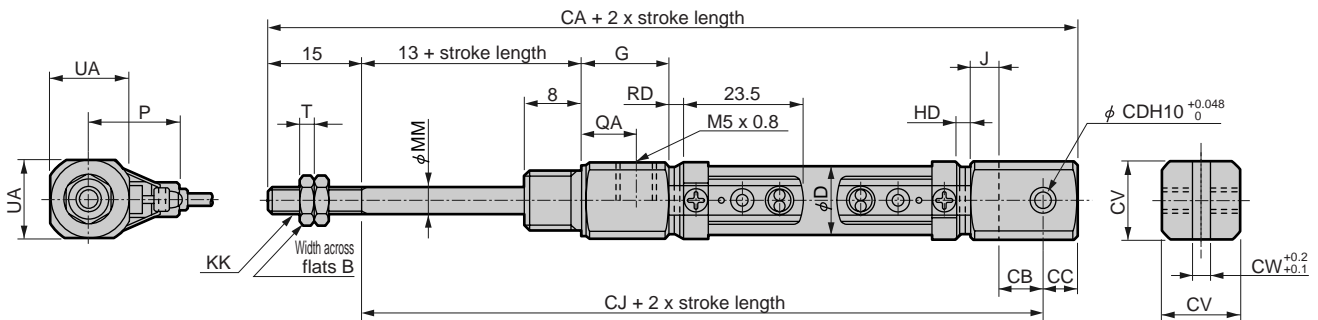
Note 3: Port size M3 type is available for $\phi 6$ cylinder. The maximum stroke for $\phi 6$ is 100 mm.
 Note 4: The $\phi 6$ and $\phi 10$ port thread depth is 3.8 mm. When using a joint, prepare a joint with a thread length of 3.8 mm or less.
 Note 5: Refer to page 78 for dimensions drawings of accessories.

Note 1: Refer to page 79 for the X and LL dimensions of the custom stroke length.
 Note 2: Without switch dimensions are also same. (Magnet is not integrated.)

Symbol	Rod side flange type basic dimensions													Installation dimensions						With switch					
	B	D	G	J	KK	LL								MB	MM	QA	T	X							
Bore size (mm)	15 or less	15 to 30	30 to 45	45 to 60	60 to 75	75 to 90	90 to 105	105 to 120	15 or less	15 to 30	30 to 45	45 to 60	60 to 75	75 to 90	90 to 105	105 to 120	15 or less	15 to 30	30 to 45	45 to 60	60 to 75	75 to 90	90 to 105	105 to 120	
$\phi 6$	5.5	6.8	17	3	M3	54	66	78	90	102	114	126	-	M6	3	13	1.8	82	94	106					
$\phi 10$	7	11	12.5	4	M4	53	65	77	89	101	113	125	137	M8 x 1.0	4	8	2.4	81	93	105					
$\phi 16$	8	17.4	13	4	M5	53	65	77	89	101	113	125	137	M10 x 1.0	5	8.5	3.2	81	93	105					

Symbol	X					Installation dimensions						With switch		HD									
	45 to 60	60 to 75	75 to 90	90 to 105	105 to 120	FD	FF	FH	FL	FM	FT	RD	P	15 or less	15 to 30	30 to 45	45 to 60	60 to 75	75 to 90	90 to 105	105 to 120		
$\phi 6$	118	130	142	154	-	4.2	11.4	14	22	32	1.6	2	14	12	24	36	48	60	72	84 (*1)	-		
$\phi 10$	117	129	141	153	165	4.2	11.4	14	22	32	1.6	3	16	13	25	37	49	61	73	85	97		
$\phi 16$	117	129	141	153	165	5.2	10.7	20	29	42	2.3	2.5	19	13.5	25.5	37.5	49.5	61.5	73.5	85.5	97.5		

● Clevis bracket type (CB)



Note 3: The maximum stroke for $\phi 6$ is 100 mm.
 Note 4: The $\phi 6$ and $\phi 10$ port thread depth is 3.8 mm. When using a joint, prepare a joint with a thread length of 3.8 mm or less.
 Note 5: Pin and snap ring are attached.
 Note 6: Refer to page 78 for dimensions drawings of accessories.

Note 1: Refer to page 79 for the CA and CJ dimensions of the custom stroke length.
 Note 2: Without switch dimensions are also same. (Magnet is not integrated.)

Symbol	Clevis bracket type (CB) basic dimensions.									Installation dimensions															
	B	D	G	J	KK	MM	QA	T	UA	CA										CB	CC	CD			
Bore size (mm)	15 or less	15 to 30	30 to 45	45 to 60	60 to 75	75 to 90	90 to 105	105 to 120	15 or less	15 to 30	30 to 45	45 to 60	60 to 75	75 to 90	90 to 105	105 to 120	15 or less	15 to 30	30 to 45	45 to 60	60 to 75	75 to 90	90 to 105	105 to 120	
$\phi 10$	7	11	12.5	4	M4	4	8	2.4	12	94	106	118	130	142	154	166	178	8	5	3.2					
$\phi 16$	8	17.4	13	4	M5	5	8.5	3.2	18	101	113	125	137	149	161	173	185	10	10	5					

Symbol	CJ								With switch		HD									
	15 or less	15 to 30	30 to 45	45 to 60	60 to 75	75 to 90	90 to 105	105 to 120	CV	CW	RD	P	15 or less	15 to 30	30 to 45	45 to 60	60 to 75	75 to 90	90 to 105	105 to 120
$\phi 10$	74	86	98	110	122	134	146	158	12	3.2	3	16	13	25	37	49	61	73	85	97
$\phi 16$	76	88	100	112	124	136	148	160	18	6.5	2.5	19	13.5	25.5	37.5	49.5	61.5	73.5	85.5	97.5

- SCPH2
- CMK2
- CMA2
- SCM
- SCG
- SCA2
- SCS
- CKV2
- CA/OV2
- SSD
- CAT
- MDC2
- MVC
- SMD2
- MSD*
- FC*
- STK
- ULK*
- JSK/M2
- JSG
- JSC3
- USSD
- USC
- JSB3
- LMB
- STG
- STS/L
- LCS
- LCG
- LCM
- LCT
- LCY
- STR2
- UCA2
- HCM
- HCA
- SRL2
- SRG
- SRM
- SRT
- MRL2
- MRG2
- SM-25
- CAC3
- UCAC
- RCC2
- MFC
- SHC
- GLC
- Ending

Pencil shaped cylinder Standard type