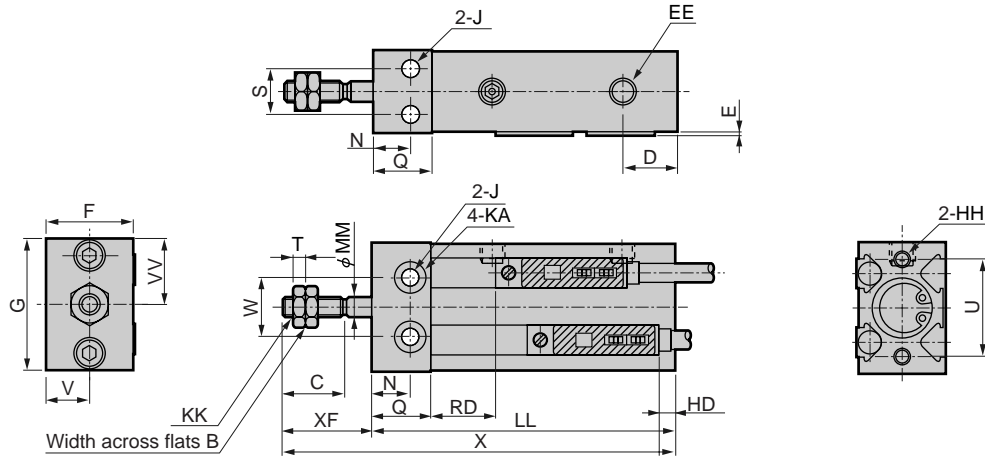


Dimensions

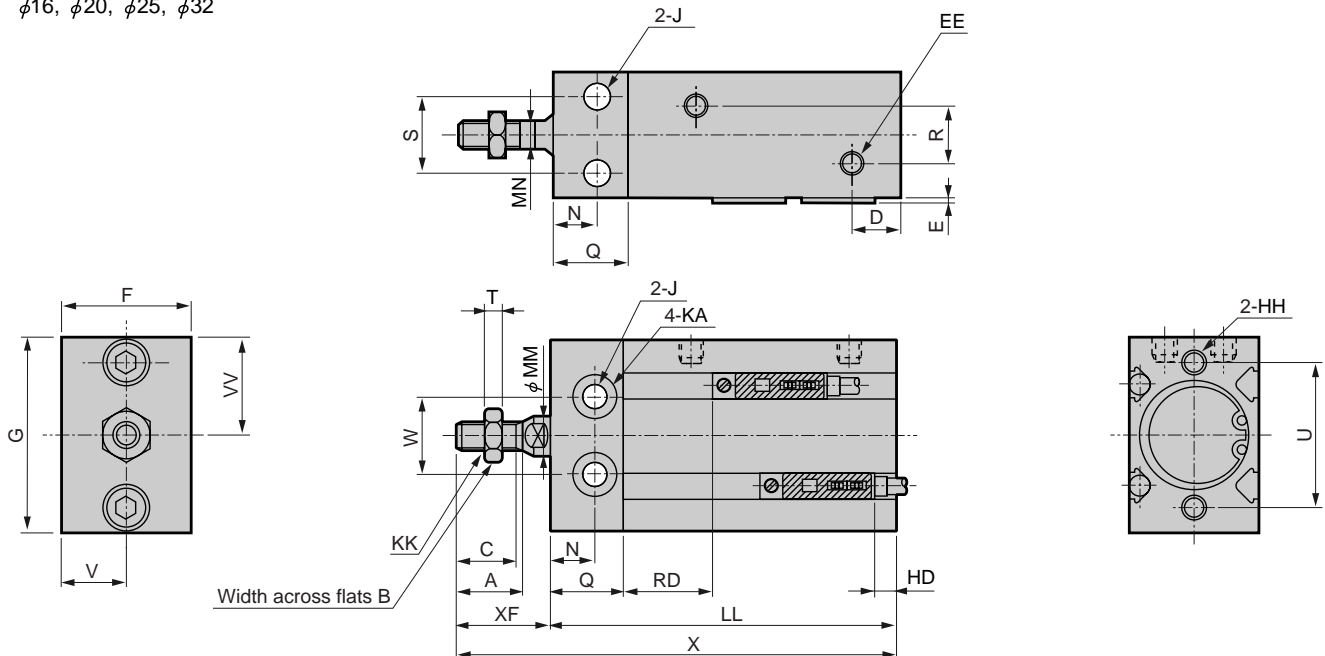


● Single acting extend type/with switch, rod end mounting type SMD2-X(L)-DA

φ 6, φ10



φ16, φ20, φ25, φ32



Symbol	A	B	C	D	EE	F	G	HH	J	KA	KK	MM	MN	N	Q	R	S	T	U	V	VV
φ6	-	5.5	7	10	M5	13.4	22.4	M2.5 depth 5	3.4 (penetrating)	5.9 spot face depth 5.3	M3	3	-	7	11	-	7	1.8	17	6.7	11.2
φ10	-	7	10	10	M5	15.4	24.4	M3 depth 5	3.4 (penetrating)	5.9 spot face depth 5.5	M4	4	-	7	11	-	9	2.4	18	7.7	12.2
φ16	12.5	8	11	10	M5	20.4	32.4	M4 depth 6	4.5 (penetrating)	7.5 spot face depth 7	M5	6	5	7	15	5	12	3.2	24	10.2	16.2
φ20	13.5	10	12	10	M5	26.4	40.4	M5 depth 8	5.5 (penetrating)	9 spot face depth 8.5	M6	8	6	9	15	12	16	3.6	30	13.2	20.2
φ25	17.5	13	15.5	10	M5	32.4	50.4	M5 depth 8	5.5 (penetrating)	9 spot face depth 9.5	M8	10	8	10	15	13	20	5	38	16.2	25.2
φ32	21	17	19.5	11	Rc1/8	40.4	62.4	M6 depth 9	6.6 (penetrating)	10.5 spot face depth 12	M10 x 1.25	12	10	11	20	17	24	6	48	20.2	31.2

Symbol	LL						X						With switch										
	W	XF	5st		10st		5st		10st		15st		E	K0H/K5H		K2H/K3H		K0V/K5V		K2V/K3V			
			W/SW	W/SW	W/SW	W/SW	W/SW	W/SW	W/SW	W/SW	W/SW	W/SW		W/SW	W/SW	W/SW	W/SW	W/SW	W/SW	W/SW	W/SW	W/SW	
φ6	10	13	48	48	53	53	58	58	61	61	66	66	71	71	1.0	-2.0	10.0	-3.0	11.0	-5.0	10.0	-6.0	11.0
φ10	11	16	51	51	56	56	61	61	67	67	72	72	77	77	1.0	0.5	10.5	-1.0	12.0	-2.5	10.5	-4.0	12.0
φ16	14	16	50	60	55	65	60	70	66	76	71	81	76	86	0.5	1.5	15.0	0.5	16.0	-1.5	15.0	-2.5	16.0
φ20	16	19	56	66	61	71	66	76	75	85	80	90	85	95	0.5	5.5	17.5	4.5	18.5	2.5	17.5	1.5	18.5
φ25	20	23	60	70	65	75	70	80	83	93	88	98	93	103	0.5	8.5	17.5	7.5	18.5	5.5	17.5	4.5	18.5
φ32	24	27	72	82	77	87	82	92	99	109	104	114	109	119	0.5	9.0	24.0	8.0	25.0	6.0	24.0	5.0	25.0

Note 1: HD and RD dimensions for 5, 10 stroke will differ from these due to manufacturing.

Note 2: Negative dimension indicates dimensions of projecting section of switch from main body.

Note 3: Refer to page 1036 for HD, RD and dimensions of projecting section of 2 color indicator type preventive maintenance output switch.

SCP*2
CMK2
CMA2
SCM
SCG
SCA2
SCS
CKV2
CA/OV2
SSD
CAT
MDC2
MVC
SMD2
MSD*
FC*
STK
ULK*
JSK/M2
JSG
JSC3
USSD
USC
JSB3
LMB
STG
STS/L
LCS
LCG
LCM
LCT
LCY
STR2
UCA2
HCM
HCA
SRL2
SRG
SRM
SRT
MRL2
MRG2
SM-25
CAC3
UCAC
RCC2
MFC
SHC
GLC
Ending

Compact cylinder
Space saving structure

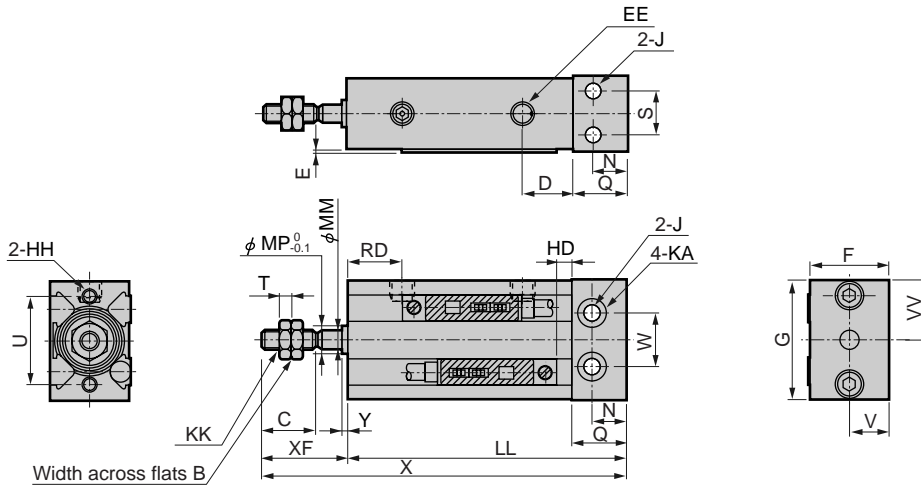
SMD2-X Series

Dimensions

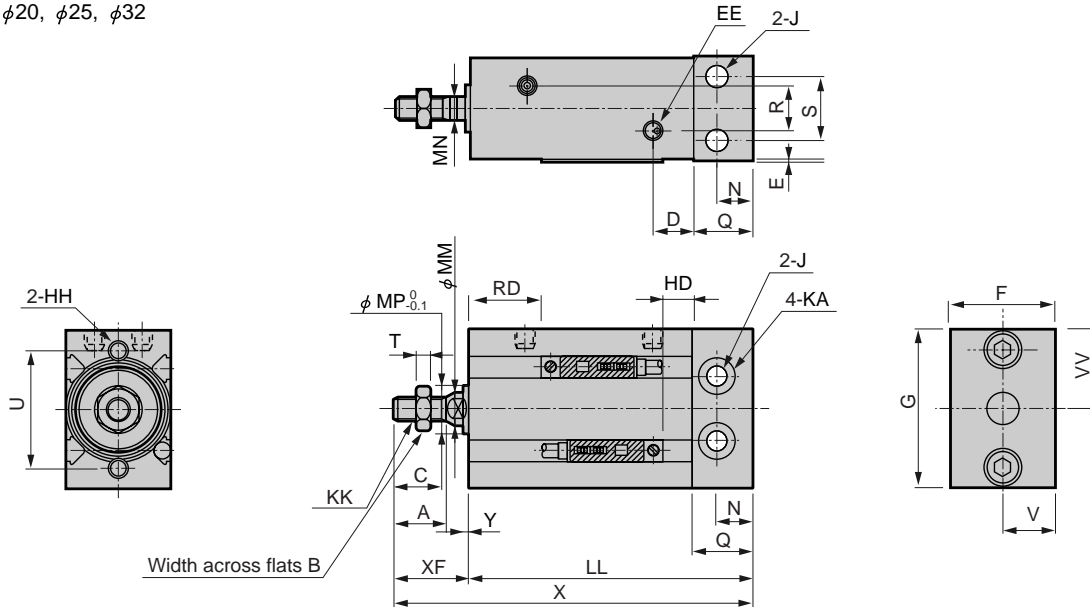


● Single acting extend type/with switch, head end mounting type SMD2-X(L)-DB

φ 6, φ 10



φ 16, φ 20, φ 25, φ 32



Symbol	A	B	C	D	EE	F	G	HH	J	KA	KK	MM	MN	MP	N	Q	R	S	T	U	V	VV	
SM-25 CAC3	Bore size (mm)																						
UCAC	φ 6	-	5.5	7	10	M5	13.4	22.4	M2.5 depth 5	3.4 (penetrating)	5.9 spot face depth 5.3	M3	3	-	5	7	11	-	7	1.8	17	6.7	11.2
RCC2	φ 10	-	7	10	10	M5	15.4	24.4	M3 depth 5	3.4 (penetrating)	5.9 spot face depth 5.5	M4	4	-	6	7	11	-	9	2.4	18	7.7	12.2
MFC	φ 16	12.5	8	11	10	M5	20.4	32.4	M4 depth 6	4.5 (penetrating)	7.5 spot face depth 7	M5	6	5	8	7	15	5	12	3.2	24	10.2	16.2
SHC	φ 20	13.5	10	12	10	M5	26.4	40.4	M5 depth 8	5.5 (penetrating)	9 spot face depth 8.5	M6	8	6	12	9	15	12	16	3.6	30	13.2	20.2
GLC	φ 25	17.5	13	15.5	10	M5	32.4	50.4	M5 depth 8	5.5 (penetrating)	9 spot face depth 9.5	M8	10	8	14	10	15	13	20	5	38	16.2	25.2
Ending	φ 32	21	17	19.5	11	Rc1/8	40.4	62.4	M6 depth 9	6.6 (penetrating)	10.5 spot face depth 12	M10 x 1.25	12	10	16	11	20	17	24	6	48	20.2	31.2
Symbol	W	XF	LL						X						With switch								
			5st		10st		15st		5st		10st		15st		E	K0H/K5H		K2H/K3H		K0V/K5V		K2V/K3V	
			W/SW	W/SW	W/SW	W/SW	W/SW	W/SW	W/SW	W/SW	W/SW	W/SW	W/SW	W/SW		W/SW	HD	RD	HD	RD	HD	RD	HD
φ 6	10	14	48	48	53	53	58	58	62	62	67	67	72	72	1.0	1.5	10.0	2.5	11.0	1.5	10.0	2.5	11.0
φ 10	11	17	51	51	56	56	61	61	68	68	73	73	78	78	1.0	3.5	10.5	4.5	12.0	3.5	10.5	4.5	12.0
φ 16	14	16	50	60	55	65	60	70	66	76	71	81	76	86	0.5	5.0	15.0	6.0	16.0	5.0	15.0	6.0	16.0
φ 20	16	19	56	66	61	71	66	76	75	85	80	90	85	95	0.5	8.5	17.5	9.5	18.5	8.5	17.5	9.5	18.5
φ 25	20	23	60	70	65	75	70	80	83	93	88	98	93	103	0.5	11.5	17.5	12.5	18.5	11.5	17.5	12.5	18.5
φ 32	24	27	72	82	77	87	82	92	99	109	104	114	109	119	0.5	12.0	24.0	13.5	25.0	12.0	24.0	13.5	25.0

Note 1: HD and RD dimensions for 5, 10 stroke will differ from these due to manufacturing.
 Note 2: Negative dimension indicates dimensions of projecting section of switch from main body.
 Note 3: For 5, 10 mm stroke cylinders, use K*V switch because K*H switch cannot be installed.
 Note 4: For 5 mm stroke cylinder, use K*V switch because K*H switch cannot be installed.

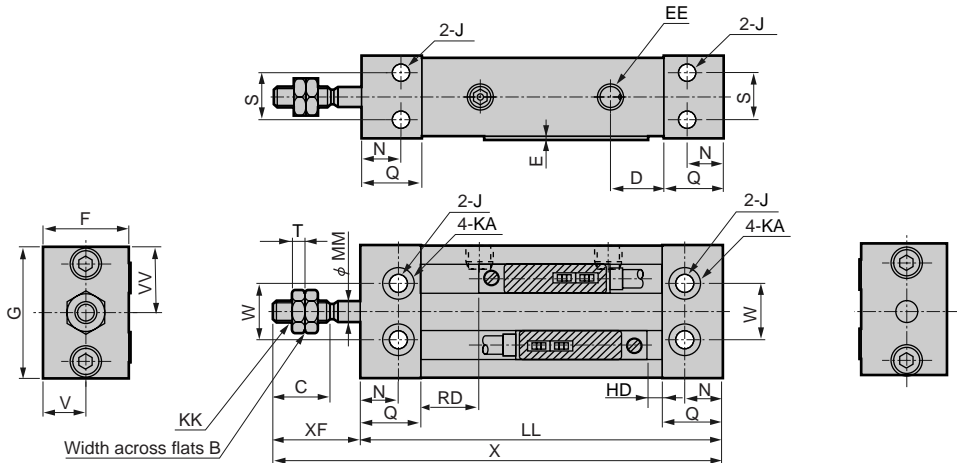
Note 5: Refer to page 1037 for HD/RD and dimensions of projecting section of 2 color indicator type preventive maintenance output switch.

Dimensions

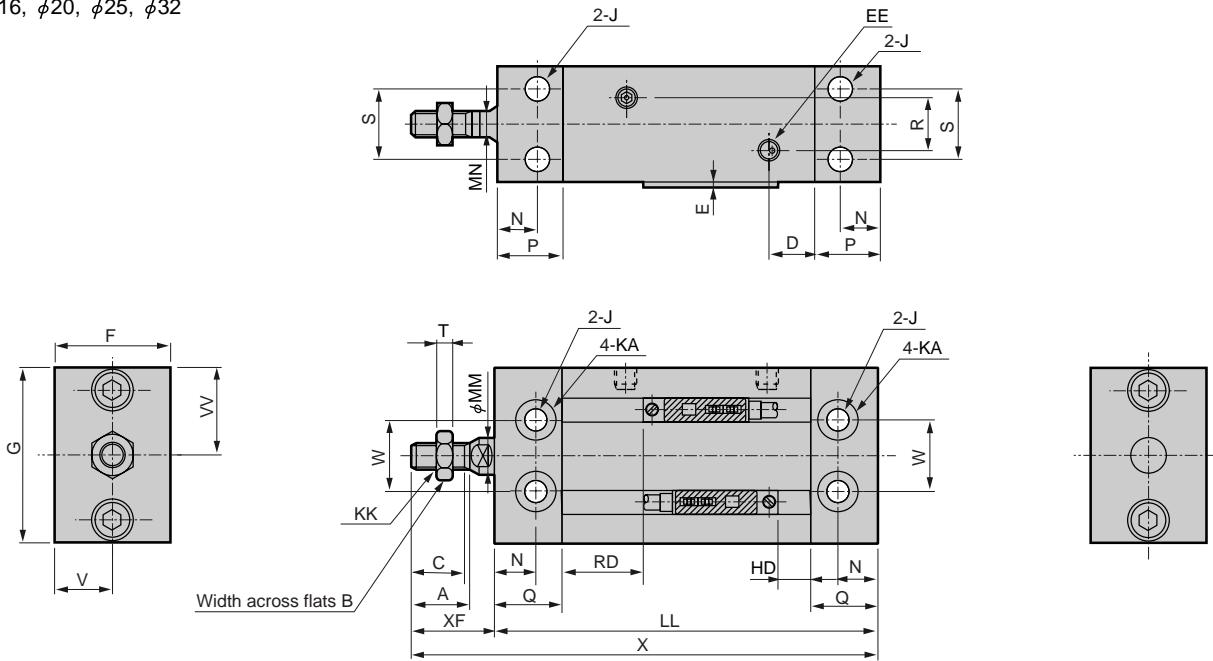


● Single acting extend type/with switch, high rigid mounting type SMD2-X(L)-DC

φ 6, φ 10



φ 16, φ 20, φ 25, φ 32



Symbol	A	B	C	D	EE	F	G	HH	J	KA	KK	MM	MN	N	Q	R	S	T	U	V	VV
φ 6	-	5.5	7	10	M5	13.4	22.4	M2.5 depth 5	3.4 (penetrating)	5.9 spot face depth 5.3	M3	3	-	7	11	-	7	1.8	17	6.7	11.2
φ 10	-	7	10	10	M5	15.4	24.4	M3 depth 5	3.4 (penetrating)	5.9 spot face depth 5.5	M4	4	-	7	11	-	9	2.4	18	7.7	12.2
φ 16	12.5	8	11	10	M5	20.4	32.4	M4 depth 6	4.5 (penetrating)	7.5 spot face depth 7	M5	6	5	7	15	5	12	3.2	24	10.2	16.2
φ 20	13.5	10	12	10	M5	26.4	40.4	M5 depth 8	5.5 (penetrating)	9 spot face depth 8.5	M6	8	6	9	15	12	16	3.6	30	13.2	20.2
φ 25	17.5	13	15.5	10	M5	32.4	50.4	M5 depth 8	5.5 (penetrating)	9 spot face depth 9.5	M8	10	8	10	15	13	20	5	38	16.2	25.2
φ 32	21	17	19.5	11	Rc1/8	40.4	62.4	M6 depth 9	6.6 (penetrating)	10.5 spot face depth 12	M10 x 1.25	12	10	11	20	17	24	6	48	20.2	31.2

Symbol	W	XF	LL			X			With switch														
			5st	10st	15st	5st	10st	15st	E	K0H/K5H		K2H/K3H		K0V/K5V		K2V/K3V							
			W/SW	W/SW	W/SW	W/SW	W/SW	W/SW		W/SW	W/SW	W/SW	W/SW	W/SW	W/SW	W/SW	W/SW	W/SW	W/SW				
φ 6	10	13	59	59	64	64	69	69	72	72	77	77	82	82	1.0	1.5	10.0	2.5	11.0	1.5	10.0	2.5	11.0
φ 10	11	16	62	62	67	67	72	72	78	78	83	83	88	88	1.0	3.5	10.5	4.5	12.0	3.5	10.5	4.5	12.0
φ 16	14	16	65	75	70	80	75	85	81	91	86	96	91	101	0.5	5.0	15.0	6.0	16.0	5.0	15.0	6.0	16.0
φ 20	16	19	71	81	76	86	81	91	90	100	95	105	100	110	0.5	8.5	17.5	9.5	18.5	8.5	17.5	9.5	18.5
φ 25	20	23	75	85	80	90	85	95	98	108	103	113	108	118	0.5	11.5	17.5	12.5	18.5	11.5	17.5	12.5	18.5
φ 32	24	27	92	102	97	107	102	112	119	129	124	134	129	139	0.5	12.0	24.0	13.5	25.0	12.0	24.0	13.5	25.0

Note 1: HD and RD dimensions for 5, 10 stroke will differ from these due to manufacturing.
 Note 2: Negative dimension indicates dimensions of projecting section of switch from main body.
 Note 3: For 5, 10 mm stroke cylinders, use K*V switch because K*H switch cannot be installed.
 Note 4: For 5 mm stroke cylinder, use K*V switch because K*H switch cannot be installed.

Note 5: Refer to page 1038 for HD/RD and dimensions of projecting section of 2 color indicator type preventive maintenance output switch.

- SCP*2
- CMK2
- CMA2
- SCM
- SCG
- SCA2
- SCS
- CKV2
- CA/OV2
- SSD
- CAT
- MDC2
- MVC
- SMD2**
- MSD*
- FC*
- STK
- ULK*
- JSK/M2
- JSG
- JSC3
- USSD
- USC
- JSB3
- LMB
- STG
- STS/L
- LCS
- LCG
- LCM
- LCT
- LCY
- STR2
- UCA2
- HCM
- HCA
- SRL2
- SRG
- SRM
- SRT
- MRL2
- MRG2
- SM-25
- CAC3
- UCAC
- RCC2
- MFC
- SHC
- GLC

Ending

Compact cylinder
Space saving structure