

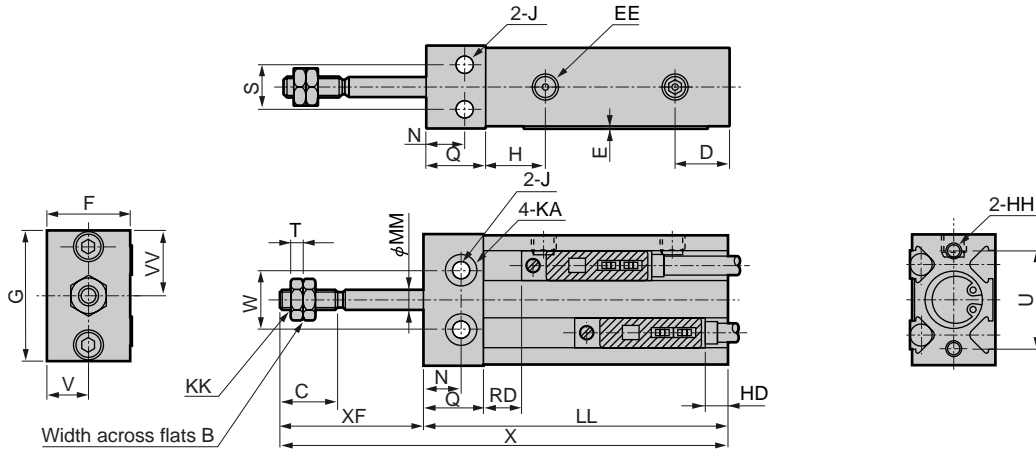
# SMD2-Y Series

## Dimensions

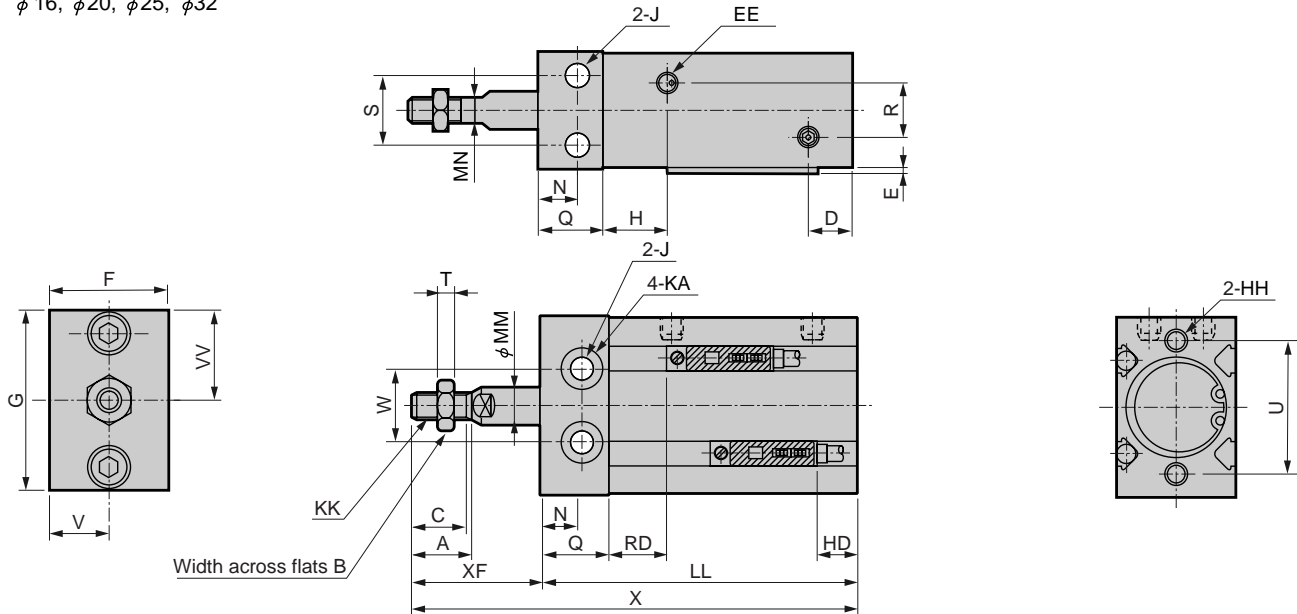


● Single acting retract type/with switch, rod end mounting type SMD2-Y(L)-DA

φ 6, φ 10



φ 16, φ 20, φ 25, φ 32



Symbol	A	B	C	D	EE	F	G	H	HH	J	KA	KK	MM	MN	N	Q	R	S	T	U	V	VV	W	XF			
																								5st	10st	15st	
UCAC	φ 6	-	5.5	11	7	M5	13.4	22.4	11	M2.5 depth 5	3.4 (penetrating)	5.9 spot face depth 5.3	M3	3	-	7	11	-	7	1.8	17	6.7	11.2	10	18	23	28
RCC2	φ 10	-	7	11	10	M5	15.4	24.4	11	M3 depth 5	3.4 (penetrating)	5.9 spot face depth 5.5	M4	4	-	7	11	-	9	2.4	18	7.7	12.2	11	21	26	31
MFC	φ 16	12.5	8	10	11	M5	20.4	32.4	10	M4 depth 6	4.5 (penetrating)	7.5 spot face depth 7	M5	6	5	7	15	5	12	3.2	24	10.2	16.2	14	21	26	31
SHC	φ 20	13.5	10	14	12	M5	26.4	40.4	14	M5 depth 8	5.5 (penetrating)	9 spot face depth 8.5	M6	8	6	9	15	12	16	3.6	30	13.2	20.2	16	24	29	34
GLC	φ 25	17.5	13	14	15.5	M5	32.4	50.4	14	M5 depth 8	5.5 (penetrating)	9 spot face depth 9.5	M8	10	8	10	15	13	20	5	38	16.2	25.2	20	38	33	38
Ending	φ 32	21	17	21	19.5	Rc1/8	40.4	62.4	21	M6 depth 9	6.6 (penetrating)	10.5 spot face depth 12	M10 x 1.25	12	10	11	20	17	24	6	48	20.2	31.2	24	32	37	42

Symbol	LL						X						With switch								
	5st		10st		15st		5st		10st		15st		E	K0H/K5H		K2H/K3H		K0V/K5V		K2V/K3V	
	W/SW	W/SW	W/SW	W/SW	W/SW	W/SW	W/SW	W/SW	W/SW	W/SW	W/SW	W/SW		W/SW	W/SW	W/SW	W/SW	W/SW	W/SW	W/SW	W/SW
φ 6	48	48	53	53	58	58	66	66	76	76	86	86	1.0	3.0	5.0	2.0	6.0	0.0	5.0	-1.0	6.0
φ 10	51	51	56	56	61	61	72	72	82	82	92	92	1.0	5.5	5.5	4.0	7.0	2.5	5.5	1.0	7.0
φ 16	50	60	55	65	60	70	71	81	81	91	91	101	0.5	6.5	10.0	5.5	11.0	3.5	10.0	2.5	11.0
φ 20	56	60	61	71	66	76	80	90	90	100	100	110	0.5	10.5	12.5	9.5	13.5	7.5	12.5	6.5	13.5
φ 25	60	70	65	75	70	80	88	98	98	108	108	118	0.5	13.5	12.5	12.5	13.5	10.5	12.5	9.5	13.5
φ 32	72	82	77	87	82	92	104	114	114	124	124	134	0.5	14.0	19.0	13.0	20.0	11.0	19.0	10.0	20.0

Note 1: HD and RD dimensions for 5, 10 stroke will differ from these due to manufacturing.

Note 2: Negative dimension indicates dimensions of projecting section of switch from main body.

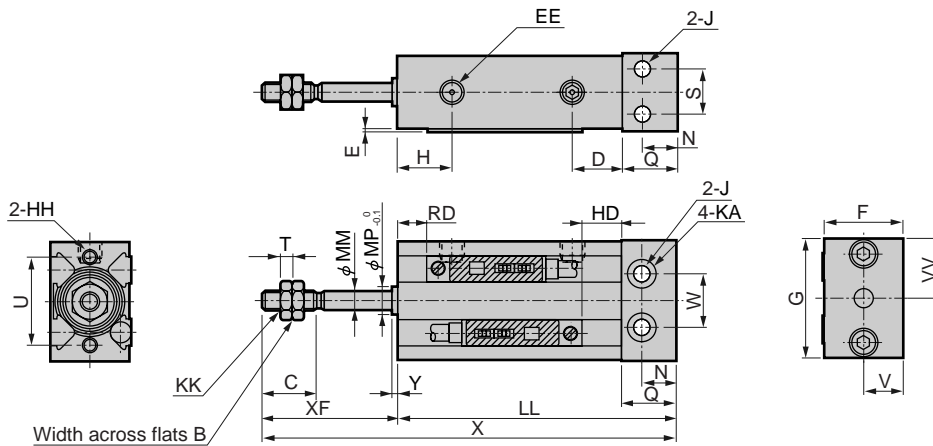
Note 3: Refer to page 1036 for HD, RD and dimensions of projecting section of 2 color indicator type preventive maintenance output switch.

### Dimensions

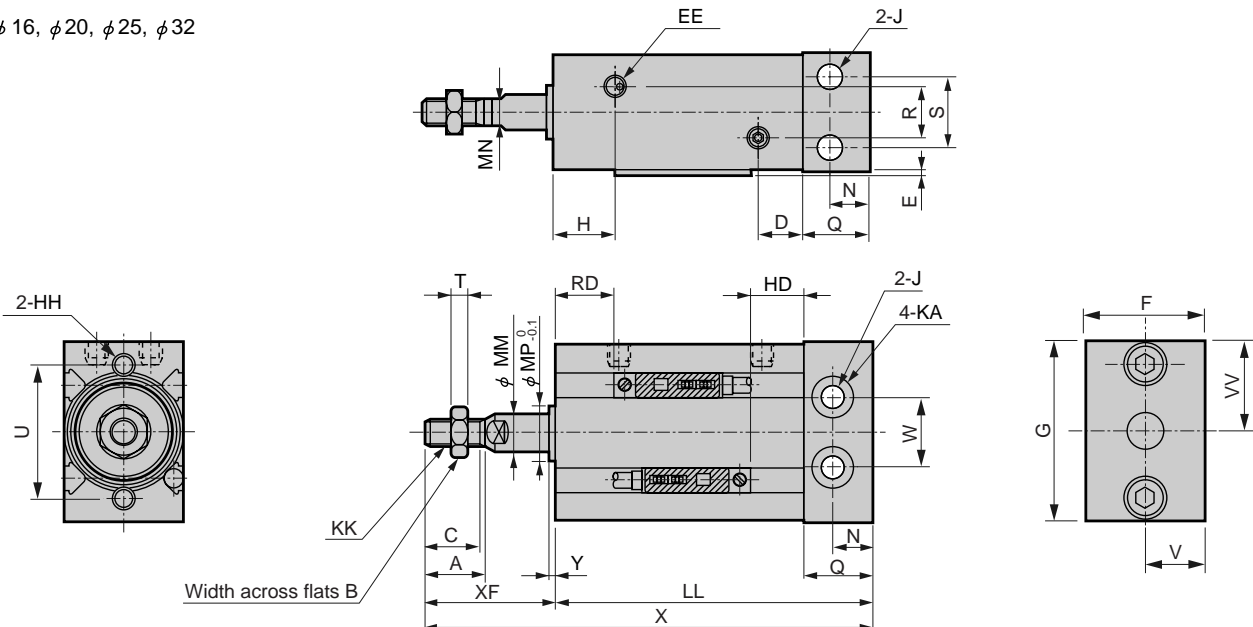


● Single acting retract type/with switch, head end mounting type SMD2-Y(L)-DB

φ 6, φ 10



φ 16, φ 20, φ 25, φ 32



Symbol Bore size (mm)	A	B	C	EE	F	G	H	HH	J	KA	KK	MM	MN	MP	N	Q	R	S	T	U	V	VV	W	XF		
																								5st	10st	15st
φ 6	-	5.5	7	M5	13.4	22.4	11	M2.5 depth 5	3.4 (penetrating)	5.9 spot face depth 5.3	M3	3	-	5	7	11	-	7	1.8	17	6.7	11.2	10	19	24	29
φ 10	-	7	10	M5	15.4	24.4	11	M3 depth 5	3.4 (penetrating)	5.9 spot face depth 5.5	M4	4	-	6	7	11	-	9	2.4	18	7.7	12.2	11	22	27	32
φ 16	12.5	8	11	M5	20.4	32.4	10	M4 depth 6	4.5 (penetrating)	7.5 spot face depth 7	M5	6	5	8	7	15	5	12	3.2	24	10.2	16.2	14	21	26	31
φ 20	13.5	10	12	M5	26.4	40.4	14	M5 depth 8	5.5 (penetrating)	9 spot face depth 8.5	M6	8	6	12	9	15	12	16	3.6	30	13.2	20.2	16	24	29	34
φ 25	17.5	13	15.5	M5	32.4	50.4	14	M5 depth 8	5.5 (penetrating)	9 spot face depth 9.5	M8	10	8	14	10	15	13	20	5	38	16.2	25.2	20	28	33	38
φ 32	21	17	19.5	Rc1/8	40.4	62.4	21	M6 depth 9	6.6 (penetrating)	10.5 spot face depth 12	M10 x 1.25	12	10	16	11	20	17	24	6	48	20.2	31.2	24	32	37	42

Symbol Bore size (mm)	Y	LL						X						With switch								
		5st		10st		15st		5st		10st		15st		E	K0H/K5H		K2H/K3H		K0V/K5V		K2V/K3V	
		W/SW	W/SW	W/SW	W/SW	W/SW	W/SW	W/SW	W/SW	W/SW	W/SW	W/SW	W/SW		W/SW	W/SW	W/SW	W/SW	W/SW	W/SW	W/SW	W/SW
φ 6	1	48	48	53	53	58	58	67	67	77	77	87	87	1.0	6.5	5.0	7.5	6.0	6.5	5.0	7.5	6.0
φ 10	1	51	51	56	56	61	61	73	73	83	83	93	93	1.0	8.5	5.5	9.5	7.0	8.5	5.5	9.5	7.0
φ 16	1	50	60	55	65	60	70	71	81	81	91	91	101	0.5	10.0	10.0	11.0	11.0	10.0	10.0	11.0	11.0
φ 20	1.5	56	60	61	71	66	76	80	90	90	100	100	110	0.5	13.5	12.5	14.5	13.5	13.5	12.5	14.5	13.5
φ 25	2	60	70	65	75	70	80	88	98	98	108	108	118	0.5	16.5	12.5	17.5	13.5	16.5	12.5	17.5	13.5
φ 32	2	72	82	77	87	82	92	104	114	114	124	124	134	0.5	17.0	19.0	18.5	20.0	17.0	19.0	18.5	20.0

Note 1: HD and RD dimensions for 5, 10 stroke will differ from these due to manufacturing.  
 Note 2: Negative dimension shows dimensions of projecting section of switch from main body.  
 Note 3: For 5 mm stroke, use K\*V switch because K\*H switch cannot be installed.

Note 4: Refer to page 1038 for HD/RD and dimensions of projecting section of 2 color indicator type preventive maintenance output switch.

- SCP\*2
- CMK2
- CMA2
- SCM
- SCG
- SCA2
- SCS
- CKV2
- CA/OV2
- SSD
- CAT
- MDC2
- MVC
- SMD2**
- MSD\*
- FC\*
- STK
- ULK\*
- JSK/M2
- JSG
- JSC3
- USSD
- USC
- JSB3
- LMB
- STG
- STS/L
- LCS
- LCG
- LCM
- LCT
- LCY
- STR2
- UCA2
- HCM
- HCA
- SRL2
- SRG
- SRM
- SRT
- MRL2
- MRG2
- SM-25
- CAC3
- UCAC
- RCC2
- MFC
- SHC
- GLC

Ending

Compact cylinder  
Space saving structure

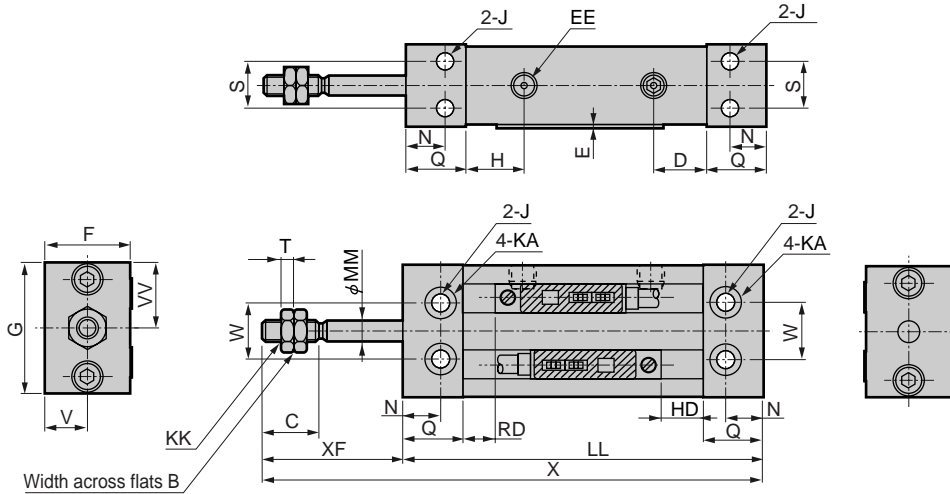
# SMD2-Y Series

## Dimensions

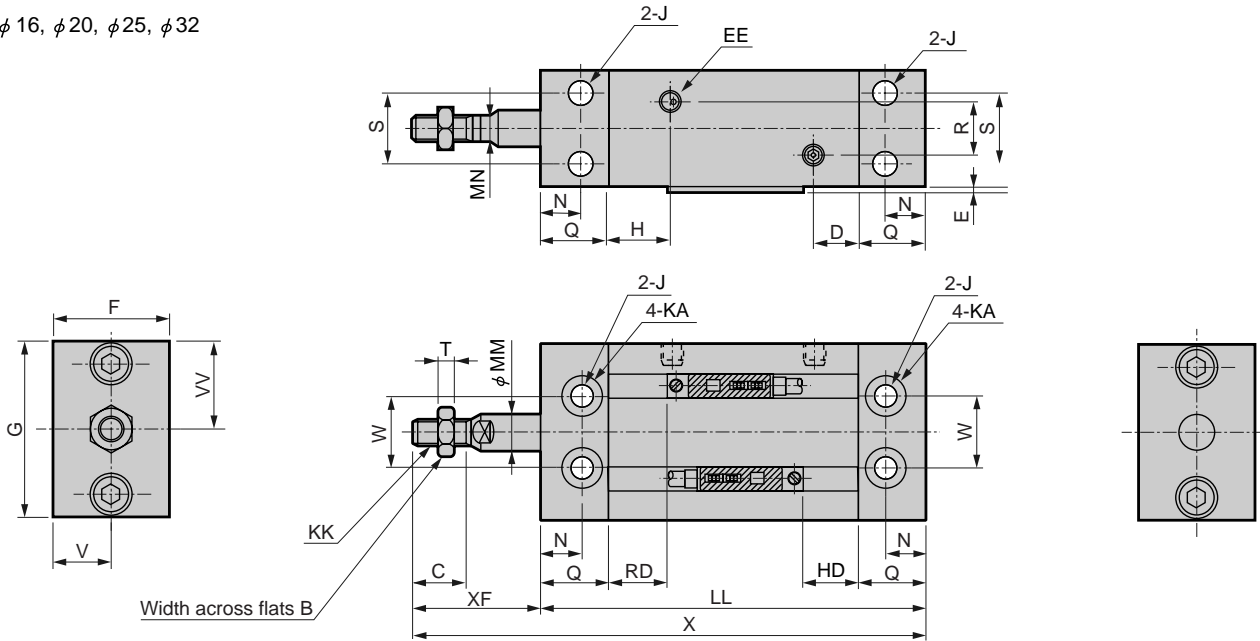


● Single acting retract type with switch, high rigid mounting type SMD2-Y(L)-DC

φ 6, φ 10



φ 16, φ 20, φ 25, φ 32



Symbol Bore size (mm)	A	B	C	EE	F	G	H	HH	J	KA	KK	MM	MN	N	Q	R	S	T	U	V	VV	W	XF		
	5st	10st	15st	5st	10st	15st	5st	10st	15st	5st	10st	15st	5st	10st	15st	5st	10st	15st	5st	10st	15st	5st	10st	15st	
φ 6	-	5.5	7	M5	13.4	22.4	11	M2.5 depth 5	3.4 (penetrating)	5.9 spot face depth 5.3	M3	3	-	7	11	-	7	1.8	17	6.7	11.2	10	18	23	28
φ 10	-	7	10	M5	15.4	24.4	11	M3 depth 5	3.4 (penetrating)	5.9 spot face depth 5.5	M4	4	-	7	11	-	9	2.4	18	7.7	12.2	11	21	26	31
φ 16	12.5	8	11	M5	20.4	32.4	10	M4 depth 6	4.5 (penetrating)	7.5 spot face depth 7	M5	6	5	7	15	5	12	3.2	24	10.2	16.2	14	21	26	31
φ 20	13.5	10	12	M5	26.4	40.4	14	M5 depth 8	5.5 (penetrating)	9 spot face depth 8.5	M6	8	6	9	15	12	16	3.6	30	13.2	20.2	16	24	29	34
φ 25	17.5	13	15.5	M5	32.4	50.4	14	M5 depth 8	5.5 (penetrating)	9 spot face depth 8.5	M8	10	8	10	15	13	20	5	38	16.2	25.2	20	28	33	38
φ 32	21	17	19.5	Rc1/8	40.4	62.4	21	M6 depth 9	6.6 (penetrating)	10.5 spot face depth 12	M10 x 1.25	12	10	11	20	17	24	6	48	20.2	31.2	24	32	37	42

Symbol Bore size (mm)	LL						X						With switch								
	5st		10st		15st		5st		10st		15st		K0H/K5H		K2H/K3H		K0V/K5V		K2V/K3V		
	W/SW	W/SW	W/SW	W/SW	W/SW	W/SW	W/SW	W/SW	W/SW	W/SW	W/SW	W/SW	W/SW	W/SW	W/SW	W/SW	W/SW	W/SW	W/SW	W/SW	
φ 6	59	59	64	64	69	69	77	77	87	87	97	97	1.0	6.5	5.0	7.5	6.0	6.5	5.0	7.5	6.0
φ 10	62	62	67	67	72	72	83	83	93	93	103	103	1.0	8.5	5.5	9.5	7.0	8.5	5.5	9.5	7.0
φ 16	65	75	70	80	75	85	86	96	96	106	106	116	0.5	10.0	10.0	11.0	11.0	10.0	10.0	11.0	11.0
φ 20	71	81	76	86	81	91	95	105	105	115	115	125	0.5	13.5	12.5	14.5	13.5	13.5	12.5	14.5	13.5
φ 25	75	85	80	90	85	95	103	113	113	123	123	133	0.5	16.5	12.5	17.5	13.5	16.5	12.5	17.5	13.5
φ 32	92	102	97	107	102	112	124	134	134	144	144	154	0.5	17.0	19.0	18.5	20.0	17.0	19.0	18.5	20.0

Note 1: HD and RD dimensions for 5, 10 stroke will differ from these due to manufacturing.

Note 2: Negative dimension indicates dimensions of projecting section of switch from main body.

Note 3: For 5 mm stroke cylinder, use K\*V switch because K\*H switch cannot be installed.

Note 4: Refer to page 1038 for HD/RD and dimensions of projecting section of 2 color indicator type preventive maintenance output switch.