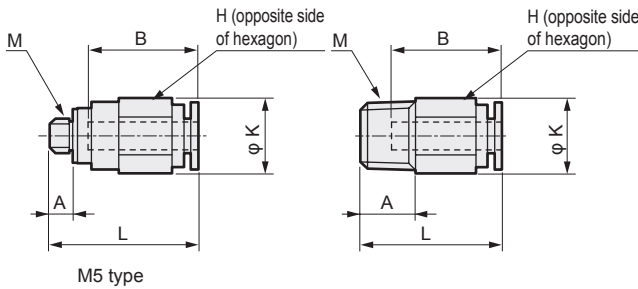


### Dimensions

Single straight

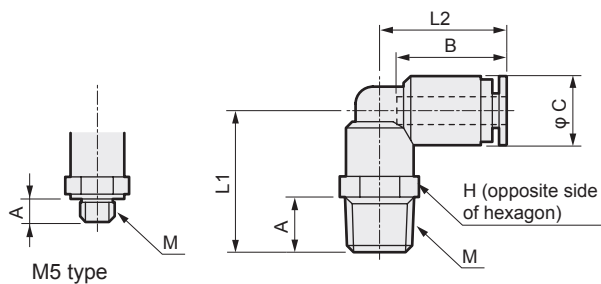
● ZW-S\*-\*



Model no.	Applicable tube O.D. φ	M	H	K	L	A	B	Min. bore size	Effective cross-sectional area mm <sup>2</sup>	Weight g
ZW-S 4-M5	4	M5 × 0.8	10	11	21.5	4	16	2.5	4	6.7
ZW-S 4- 6	4	R1/8	10	11	20.5	8	16	2.5	4	7.8
ZW-S 4- 8		R1/4	14	15	19.5	11	16	2.5	4	15
ZW-S 6-M5	6	M5 × 0.8	12	13	23	4	17.5	2.5	4.4	8.6
ZW-S 6- 6		R1/8	12	13	23	8	17.5	4	10.3	9.5
ZW-S 6- 8		R1/4	14	15	23.5	11	17.5	4	10.3	17
ZW-S 6-10	6	R3/8	17	19.6	21.5	12	17.5	4	10.3	26
ZW-S 8- 6		R1/8	14	15.8	28	8	19	5	17.5	16
ZW-S 8- 8	8	R1/4	14	15.8	27	11	19	6	22.4	17
ZW-S 8-10		R3/8	17	19.6	22.5	12	19	6	22.4	23
ZW-S10- 8	10	R1/4	17	19.6	32.5	11	21.5	8	30.5	26
ZW-S10-10		R3/8	17	19.6	28.5	12	21.5	8	30.5	26
ZW-S10-15		R1/2	22	24	26.5	15	21.5	8	30.5	46
ZW-S12-10	12	R3/8	19	21	30.5	12	23	10	40	29
ZW-S12-15		R1/2	22	24	29.5	15	23	10	40	47

Single elbow

● ZW-L\*-\*

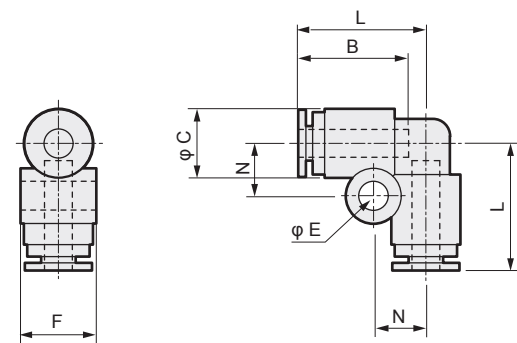


Model no.	Applicable tube O.D. φ	M	H	L <sub>1</sub>	L <sub>2</sub>	A	B	C	Min. bore size	Effective cross-sectional area mm <sup>2</sup>	Weight g
ZW-L 4-M5	4	M5 × 0.8	8	15	18	4	16	10	2.5	3.2	4.9
ZW-L 4- 6		R1/8	10	20.5	18.5	8	16	10	2.5	3.2	8
ZW-L 4- 8		R1/4	14	24	18.5	11	16	10	2.5	3.2	15
ZW-L 6-M5	6	M5 × 0.8	10	15	20	4	17.5	12.5	2.5	4.2	6.8
ZW-L 6- 6		R1/8	12	24	21	8	17.5	12.5	4	8	13
ZW-L 6- 8		R1/4	14	27.5	21	11	17.5	12.5	4	8	17
ZW-L 6-10	6	R3/8	17	29	21	12	17.5	12.5	4	8	25
ZW-L 8- 6		R1/8	14	25.5	23.5	8	19	14.5	6	18	16
ZW-L 8- 8	8	R1/4	14	28.5	23.5	11	19	14.5	6	18	19
ZW-L 8-10		R3/8	17	30	23.5	12	19	14.5	6	18	27
ZW-L10- 8	10	R1/4	17	31	27	11	21.5	17.5	8	27	27
ZW-L10-10		R3/8	17	32.5	27	12	21.5	17.5	8	27	32
ZW-L10-15	10	R1/2	22	35.5	27	15	21.5	17.5	8	27	46
ZW-L12-10		12	R3/8	19	34.5	29.5	12	23	20	9	35
ZW-L12-15	R1/2		22	37.5	29.5	15	23	20	9	35.5	52

Elbow

● ZW-L\*-\*0

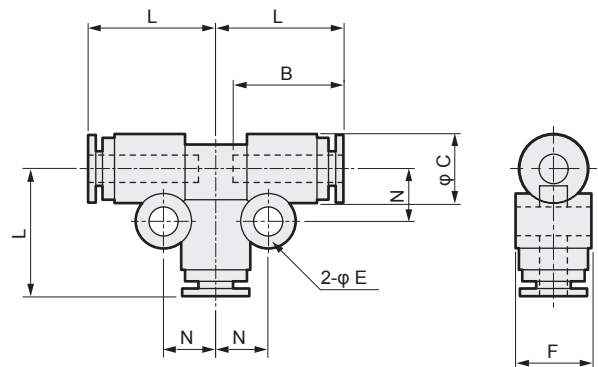
(Sales unit is 1 pcs./bag)



Model no.	Applicable tube O.D. φ	L	B	C	N	E	F	Min. bore size	Effective cross-sectional area mm <sup>2</sup>	Weight g
ZW-L 4-0	4	18.5	16	10	7.5	4.2	11	2.5	3	5.2
ZW-L 6-0	6	21	17.5	12.5	8.5	4.2	13.5	4	7.5	7.7
ZW-L 8-0	8	23.5	19	14.5	9.5	4.2	15.5	6	17	9.5
ZW-L10-0	10	27	21.5	17.5	11	4.2	18.5	8	25.5	16
ZW-L12-0	12	29.5	23	20	12	4.2	21	10	34	20

Tee

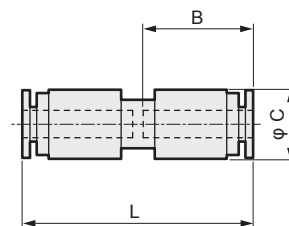
● ZW-T\*-\*0



Model no.	Applicable tube O.D. φ	L	B	C	E	F	N	Min. bore size	Effective cross-sectional area mm <sup>2</sup>	Weight g
ZW-T 4-0	4	18.5	16	10	4.2	11	7.5	2.5	3.6	8.2
ZW-T 6-0	6	21	17.5	12.5	4.2	13.5	8.5	4	9.7	12
ZW-T 8-0	8	23.5	19	14.5	4.2	15.5	9.5	6	22	15
ZW-T10-0	10	27	21.5	17.5	4.2	18.5	11	8	30	23
ZW-T12-0	12	29.5	23	20	4.2	21	12	10	35.5	29

Straight

● ZW-S\*-\*0



Model no.	Applicable tube O.D. φ	L	B	C	Min. bore size	Effective cross-sectional area mm <sup>2</sup>	Weight g
ZW-S 4-0	4	33.5	16	10	2.5	4	4.5
ZW-S 6-0	6	36.5	17.5	12.5	4	10	6.9
ZW-S 8-0	8	39.5	19	14.5	6	22	8
ZW-S10-0	10	45	21.5	17.5	8	30	14
ZW-S12-0	12	47.5	23	20	10	35	17

F.R.L. unit

Pneumatic auxiliary components

Air unit components

Precision components

Pressure sensor

Sensor/controller

Total air system

Main line unit

Ending

Speed controller

Silencer

Check valve/others

Fitting/tube