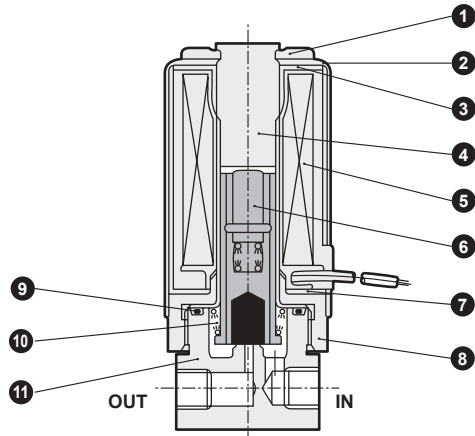


## Internal structure and parts list

● USB2-M5



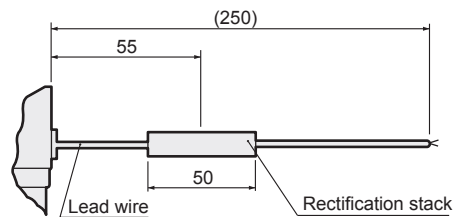
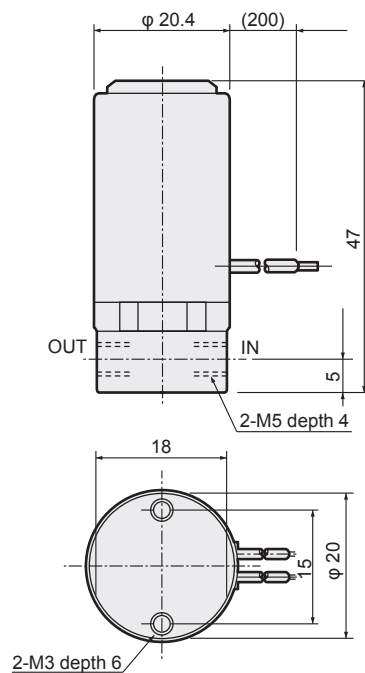
| No. | Parts name       | Material                   |                                 |
|-----|------------------|----------------------------|---------------------------------|
| 1   | Clip             | PBT                        | PBT                             |
| 2   | Bonnet           | SPC                        | Steel                           |
| 3   | Sub core         | SPC                        | Steel                           |
| 4   | Core assembly    | SUS405 equiv., SUS316      | Stainless steel                 |
| 5   | Coil assembly    | -                          | -                               |
| 6   | Plunger assembly | SUS405 equiv., SUS303, NBR | Stainless steel, nitrile rubber |
| 7   | Waving washer    | S65CM                      | Steel                           |
| 8   | Core B           | SUM22                      | Free-cutting steel              |
| 9   | O-ring           | NBR                        | Nitrile rubber                  |
| 10  | Plunger spring   | SUS304                     | Stainless steel                 |
| 11  | Body             | SUS303 (C3604)             | Stainless steel (brass)         |

( ) shows options.

## Dimensions



● USB2-M5



The alternating current (AC) type has a rectification stack assembled into the lead wire.

EXA

FWD

HNB/G

USB/G

FAB/G

FGB/G

FVB

FWB/G

FHB

FLB

AB

AG

AP/  
AD

APK/  
ADK

For  
dry air

Explosion  
proof

HVB/  
HVL

SAB/  
NAB

LAD/  
NAD

Related  
components  
for water

NP/NAP/  
NVP

CHB/G

MXB/G

Others  
Valve

Dust  
collecting

CVE/  
CVSE

CCH,  
CPE/D

Medical  
analysis

Gas  
combustion

Automatic  
watering

Custom order  
product

Ending