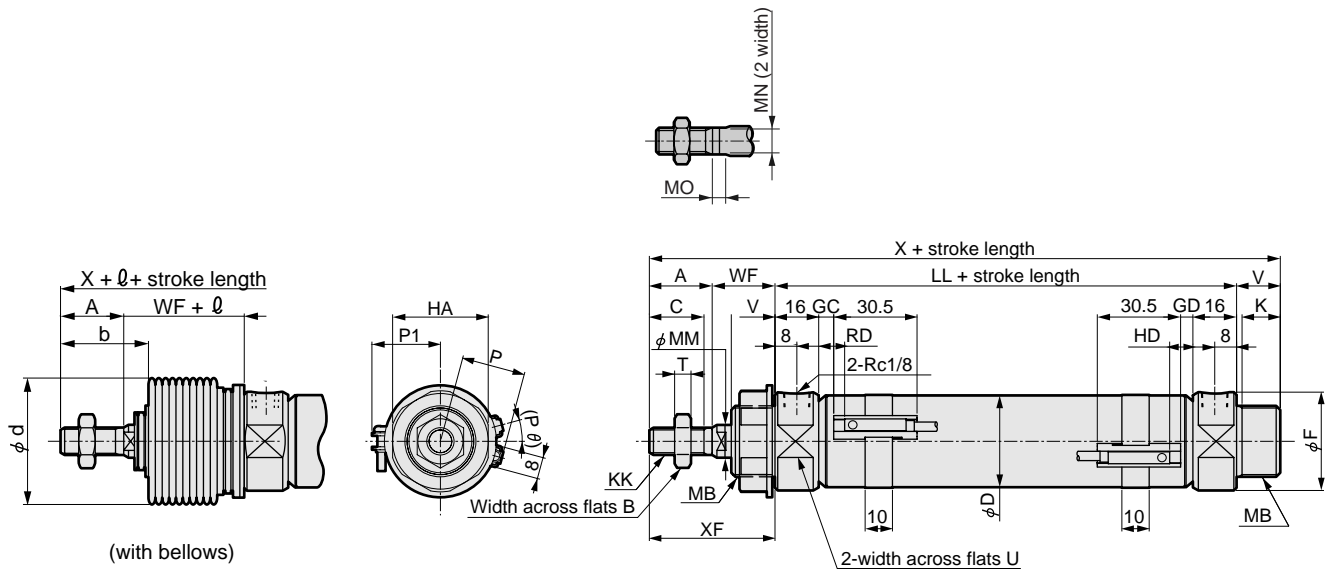


Dimensions



● Basic type (00)



RD: Rod side max. sensitive position

HD: Head side max. sensitive position

Symbol	Basic dimensions of basic type (00)																		
Bore size (mm)	A	B	C	D	F	HA	K	KK	LL	MB	MM	MN	MO	T	U	V	WF	X	XF
φ 20	20	13	18	21.4	28	26	12	M8 x 1.0	66	M18 x 1.5	10	8	5	5	24	14	24	124	44
φ 25	23	17	20	26.4	32	35	14	M10 x 1.25	69	M26 x 1.5	12	10	5	6	30	16	23	131	46
φ 32	23	17	20	33.6	36	35	14	M10 x 1.25	69	M26 x 1.5	12	10	5	6	34	16	23	131	46
φ 40	25	19	22	41.6	45	35	14	M12 x 1.5	73	M26 x 1.5	14	12	6	7	43	16	23	137	48
Symbol	With switch							With bellows											
Bore size (mm)	GC	GD	RD	HD	P	P1	(Pθ)°	b	d	l									
φ 20	4.0	3.0	8.0	7.0	17.3	19.5	22	30	30	(stroke length/3) + 6									
φ 25	5.5	4.5	9.5	8.5	19.8	22.0	18	32	46	(stroke length/3.25) + 7									
φ 32	5.5	4.5	9.5	8.5	24.3	25.5	15	32	46	(stroke length/3.25) + 7									
φ 40	7.0	6.5	11.5	10.5	28.3	29.5	12	34	46	(stroke length/3.25) + 7									

Note 1: For l dimensions, round up decimal point or less.

Note 2: Refer to page 188 for the HD, RD, and projecting dimensions of the T1* and T8* switches and 2-color indicator switch with preventive maintenance output.

Note 3: Refer to page 190 for dimensions of accessories.

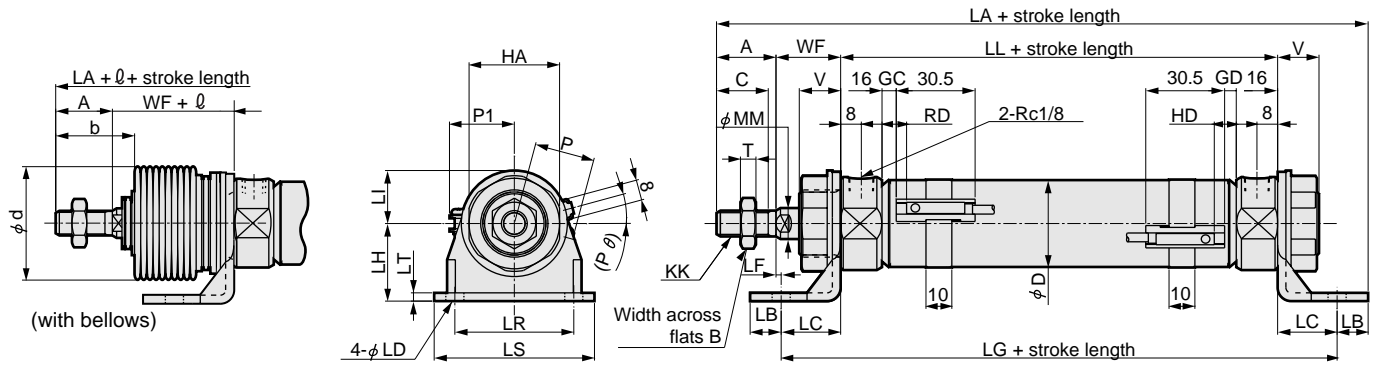
SCP*2
CMK2
 CMA2
 SCM
 SCG
 SCA2
 SCS
 CKV2
 CA/OV2
 SSD
 CAT
 MDC2
 MVC
 SMD2
 MSD*
 FC*
 STK
 ULK*
 JSK/M2
 JSG
 JSC3
 USSD
 USC
 JSB3
 LMB
 STG
 STS/L
 LCS
 LCG
 LCM
 LCT
 LCY
 STR2
 UCA2
 HCM
 HCA
 SRL2
 SRG
 SRM
 SRT
 MRL2
 MRG2
 SM-25
 CAC3
 UCAC
 RCC2
 MFC
 SHC
 GLC
 Ending

Medium bore size cylinder
 Standard type

Dimensions



● Axial foot type (LB)



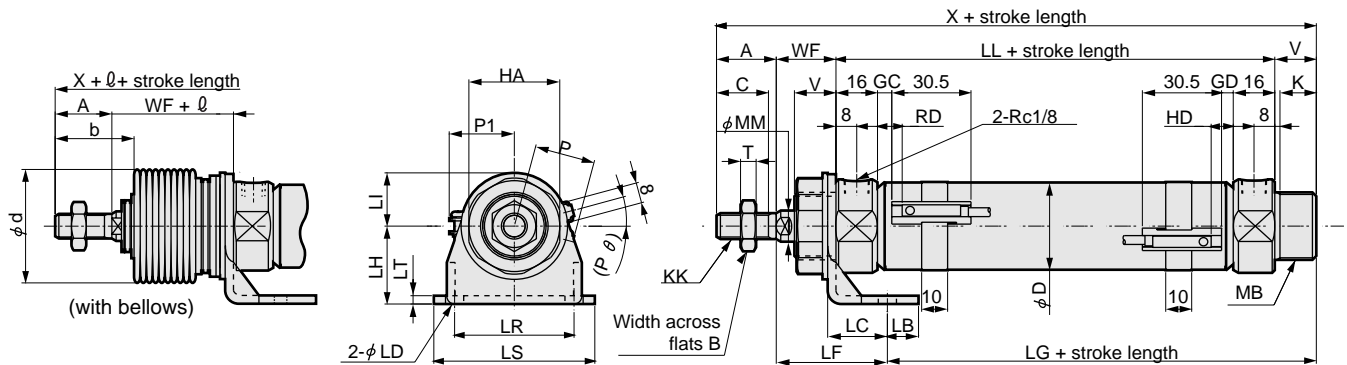
Note 1: For ℓ dimensions, round up decimal point or less.

Note 2: Refer to page 188 for the HD, RD, and projecting dimensions of the T1* and T8* switches and 2-color indicator switch with preventive maintenance output.

Note 3: Refer to page 190 for dimensions of accessories.

Symbol	Axial foot type (LB) basic dimensions											Installation dimensions					
	A	B	C	D	HA	KK	LL	MM	T	V	WF	LA	LB	LC	LD	LF	LG
φ20	20	13	18	21.4	26	M8 x 1.0	66	10	5	14	24	138	10	18	6	6	102
φ25	23	17	20	26.4	35	M10 x 1.25	69	12	6	16	23	150	12	23	7	0	115
φ32	23	17	20	33.6	35	M10 x 1.25	69	12	6	16	23	150	12	23	7	0	115
φ40	25	19	22	41.6	35	M12 x 1.5	73	14	7	16	23	156	12	23	7	0	119
Symbol	With switch											With bellows					
	LH	LI	LR	LS	LT	GC	GD	RD	HD	P	P1	(Pθ)°	b	d	ℓ		
φ20	25	15	30	44	3.2	4.0	3.0	8.0	7.0	17.3	19.5	22	30	30	(stroke length/3) + 6		
φ25	30	20	46	62	3.2	5.5	4.5	9.5	8.5	19.8	22.0	18	32	46	(stroke length/3.25) + 7		
φ32	30	20	46	62	3.2	5.5	4.5	9.5	8.5	24.3	25.5	15	32	46	(stroke length/3.25) + 7		
φ40	30	20	46	62	3.2	7.0	6.5	11.5	10.5	28.3	29.5	12	34	46	(stroke length/3.25) + 7		

● Single axial foot type (LS)



Note 1: For ℓ dimensions, round up decimal point or less.

Note 2: Refer to page 188 for the HD, RD, and projecting dimensions of the T1* and T8* switches and 2-color indicator switch with preventive maintenance output.

Note 3: Up to 50mm stroke.

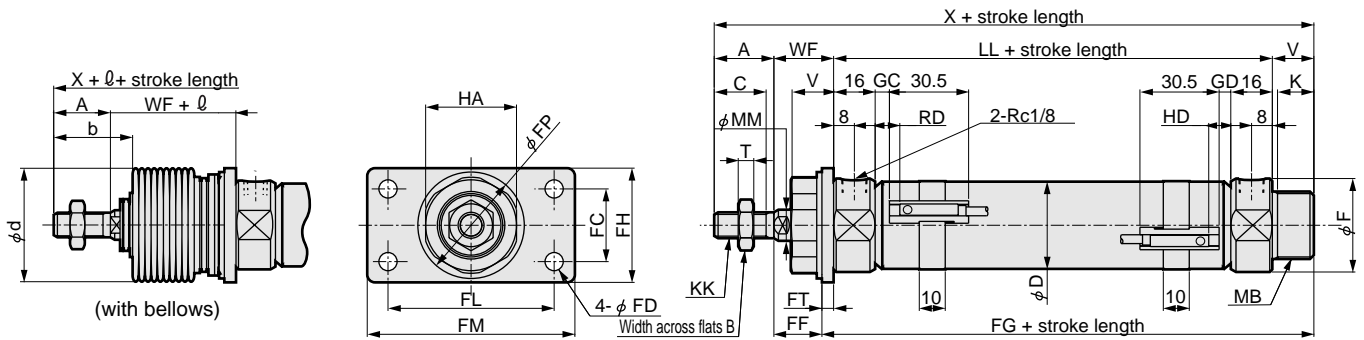
Note 4: Refer to page 190 for dimensions of accessories.

Symbol	Single axial foot type (LS) basic dimensions														Installation dimensions		
	A	B	C	D	HA	K	KK	LL	MB	MM	T	V	WF	X	LB	LC	LD
φ20	20	13	18	21.4	26	12	M8 x 1.0	66	M18 x 1.5	10	5	14	24	124	10	18	6
φ25	23	17	20	26.4	35	14	M10 x 1.25	69	M26 x 1.5	12	6	16	23	131	12	23	7
φ32	23	17	20	33.6	35	14	M10 x 1.25	69	M26 x 1.5	12	6	16	23	131	12	23	7
φ40	25	19	22	41.6	35	14	M12 x 1.5	73	M26 x 1.5	14	7	16	23	137	12	23	7
Symbol	With switch														With bellows		
	LF	LG	LH	LI	LR	LS	LT	GC	GD	RD	HD	P	P1	(Pθ)°	b	d	ℓ
φ20	38.8	65.2	25	15	30	44	3.2	4.0	3.0	8.0	7.0	17.3	19.5	22	30	30	(stroke length/3) + 6
φ25	42.8	65.2	30	20	46	62	3.2	5.5	4.5	9.5	8.5	19.8	22.0	18	32	46	(stroke length/3.25) + 7
φ32	42.8	65.2	30	20	46	62	3.2	5.5	4.5	9.5	8.5	24.3	25.5	15	32	46	(stroke length/3.25) + 7
φ40	42.8	69.2	30	20	46	62	3.2	7.0	6.5	11.5	10.5	28.3	29.5	12	34	46	(stroke length/3.25) + 7

Dimensions



● Rod side flange type (FA)



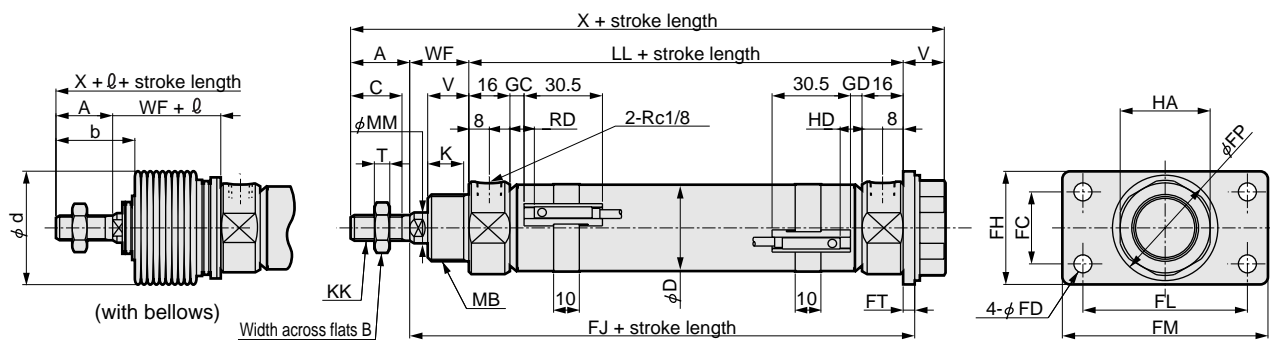
Note 1: For ℓ dimensions, round up decimal point or less.

Note 2: Refer to page 188 for the HD, RD, and projecting dimensions of the T1* and T8* switches and 2-color indicator switch with preventive maintenance output.

Note 3: Refer to page 190 for dimensions of accessories.

Symbol	Rod side flange type (FA) basic dimensions															Installation dimensions	
Bore size (mm)	A	B	C	D	F	HA	K	KK	LL	MB	MM	T	V	WF	X	FC	FD
φ20	20	13	18	21.4	28	26	12	M8 x 1.0	66	M18 x 1.5	10	5	14	24	124	20	6
φ25	23	17	20	26.4	32	35	14	M10 x 1.25	69	M26 x 1.5	12	6	16	23	131	28	7
φ32	23	17	20	33.6	36	35	14	M10 x 1.25	69	M26 x 1.5	12	6	16	23	131	28	7
φ40	25	19	22	41.6	45	35	14	M12 x 1.5	73	M26 x 1.5	14	7	16	23	137	28	7
Symbol	With switch										With bellows						
Bore size (mm)	FF	FG	FH	FL	FM	FP	FT	GC	GD	RD	HD	b	d	ℓ			
φ20	20.8	83.2	34	40	54	29	3.2	4.0	3.0	8.0	7.0	30	30	(stroke length/3) + 6			
φ25	18.5	89.5	44	64	80	41	4.5	5.5	4.5	9.5	8.5	32	46	(stroke length/3.25) + 7			
φ32	18.5	89.5	44	64	80	41	4.5	5.5	4.5	9.5	8.5	32	46	(stroke length/3.25) + 7			
φ40	18.5	93.5	44	64	80	41	4.5	7.0	6.5	11.5	10.5	34	46	(stroke length/3.25) + 7			

● Head side flange type (FB)



Note 1: For ℓ dimensions, round up decimal point or less.

Note 2: Refer to page 188 for the HD, RD, and projecting dimensions of the T1* and T8* switches and 2-color indicator switch with preventive maintenance output.

Note 3: Refer to page 190 for dimensions of accessories.

Symbol	Head side flange type (FB) basic dimensions															Installation dimensions		
Bore size (mm)	A	B	C	D	HA	K	KK	LL	MB	MM	T	V	WF	X	FC	FD	FH	
φ20	20	13	18	21.4	26	12	M8 x 1.0	66	M18 x 1.5	10	5	14	24	124	20	6	34	
φ25	23	17	20	26.4	35	14	M10 x 1.25	69	M26 x 1.5	12	6	16	23	131	28	7	44	
φ32	23	17	20	33.6	35	14	M10 x 1.25	69	M26 x 1.5	12	6	16	23	131	28	7	44	
φ40	25	19	22	41.6	35	14	M12 x 1.5	73	M26 x 1.5	14	7	16	23	137	28	7	44	
Symbol	With switch										With bellows							
Bore size (mm)	FJ	FL	FM	FP	FT	GC	GD	RD	HD	b	d	ℓ						
φ20	93.2	40	54	29	3.2	4.0	3.0	8.0	7.0	30	30	(stroke length/3) + 6						
φ25	96.5	64	80	41	4.5	5.5	4.5	9.5	8.5	32	46	(stroke length/3.25) + 7						
φ32	96.5	64	80	41	4.5	5.5	4.5	9.5	8.5	32	46	(stroke length/3.25) + 7						
φ40	100.5	64	80	41	4.5	7.0	6.5	11.5	10.5	34	46	(stroke length/3.25) + 7						

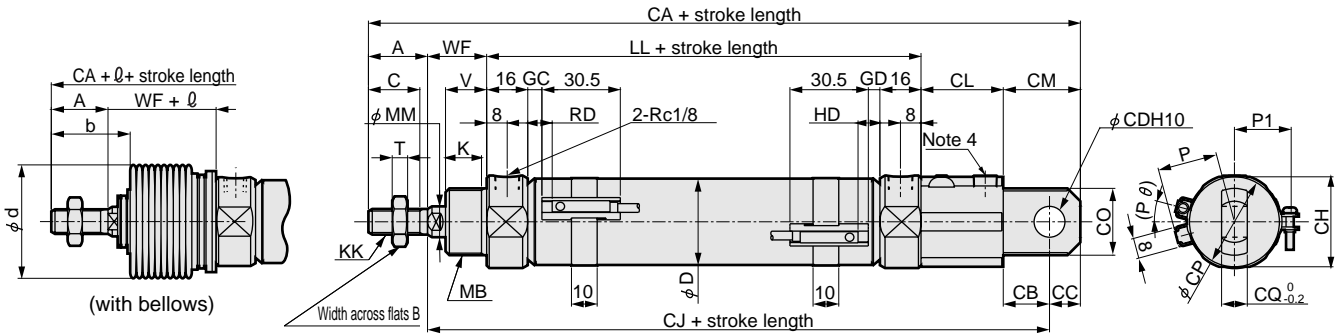
SCP*2
CMK2
 CMA2
 SCM
 SCG
 SCA2
 SCS
 CKV2
 CA/OV2
 SSD
 CAT
 MDC2
 MVC
 SMD2
 MSD*
 FC*
 STK
 ULK*
 JSK/M2
 JSG
 JSC3
 USSD
 USC
 JSB3
 LMB
 STG
 STS/L
 LCS
 LCG
 LCM
 LCT
 LCY
 STR2
 UCA2
 HCM
 HCA
 SRL2
 SRG
 SRM
 SRT
 MRL2
 MRG2
 SM-25
 CAC3
 UCAC
 RCC2
 MFC
 SHC
 GLC

Ending
 Medium bore size cylinder
 Standard type

Dimensions



● Eye bracket type (CA)



Note 1: For ℓ dimensions, round up decimal point or less.

Note 2: Refer to page 188 for the HD, RD, and projecting dimensions of the T1* and T8* switches and 2-color indicator switch with preventive maintenance output.

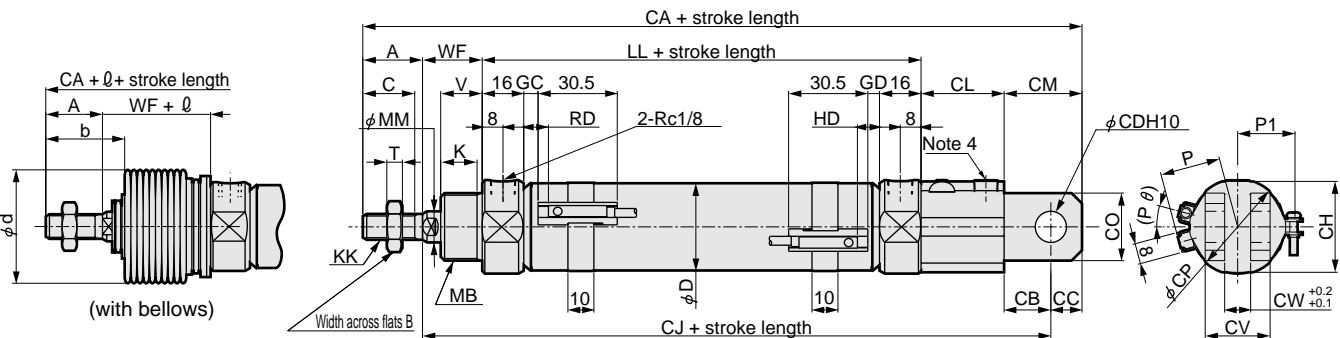
Note 3: This is not a piping port.

Note 4: Refer to page 190 for dimensions accessories.

Symbol	Eye bracket type (CA) basic dimensions												Installation dimensions				
Bore size (mm)	A	B	C	D	K	KK	LL	MB	MM	T	V	WF	CA	CB	CC	CD	CH
$\phi 20$	20	13	18	21.4	12	M8 x 1.0	66	M18 x 1.5	10	5	14	24	165	14	10	$10^{+0.058}_0$	26
$\phi 25$	23	17	20	26.4	14	M10 x 1.25	69	M26 x 1.5	12	6	16	23	177	18	12	$12^{+0.070}_0$	35
$\phi 32$	23	17	20	33.6	14	M10 x 1.25	69	M26 x 1.5	12	6	16	23	177	18	12	$12^{+0.070}_0$	35
$\phi 40$	25	19	22	41.6	14	M12 x 1.5	73	M26 x 1.5	14	7	16	23	183	18	12	$12^{+0.070}_0$	35

Symbol	With switch												With bellows			
Bore size (mm)	CJ	CL	CM	CO	CP	CQ	GC	GD	RD	HD	P	P1	(P θ) ^o	b	d	ℓ
$\phi 20$	135	31	24	22	28	8	4.0	3.0	8.0	7.0	17.3	19.5	22	30	30	(stroke length/3) + 6
$\phi 25$	142	32	30	26	37	10	5.5	4.5	9.5	8.5	19.8	22.0	18	32	46	(stroke length/3.25) + 7
$\phi 32$	142	32	30	26	37	10	5.5	4.5	9.5	8.5	24.3	25.5	15	32	46	(stroke length/3.25) + 7
$\phi 40$	146	32	30	26	37	10	7.0	6.5	11.5	10.5	28.3	29.5	12	34	46	(stroke length/3.25) + 7

● Clevis bracket type (CB)



Note 1: For ℓ dimensions, round up decimal point or less.

Note 2: Refer to page 188 for the HD, RD, and projecting dimensions of the T1* and T8* switches and 2-color indicator switch with preventive maintenance output.

Note 3: This is not a piping port.

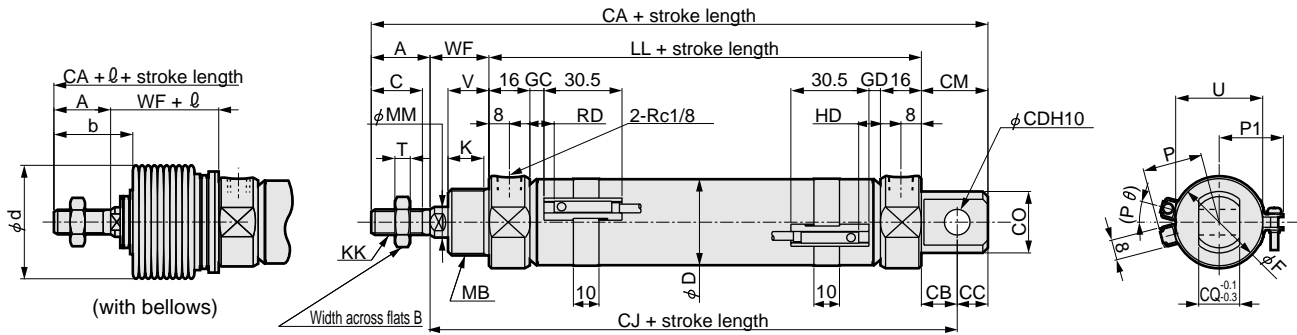
Note 4: Refer to page 190 for dimensions accessories.

Symbol	Clevis bracket type (CB) basic dimensions.												Installation dimensions				
Bore size (mm)	A	B	C	D	K	KK	LL	MB	MM	T	V	WF	CA	CB	CC	CD	CH
$\phi 20$	20	13	18	21.4	12	M8 x 1.0	66	M18 x 1.5	10	5	14	24	165	14	10	$10^{+0.058}_0$	26
$\phi 25$	23	17	20	26.4	14	M10 x 1.25	69	M26 x 1.5	12	6	16	23	177	18	12	$12^{+0.070}_0$	35
$\phi 32$	23	17	20	33.6	14	M10 x 1.25	69	M26 x 1.5	12	6	16	23	177	18	12	$12^{+0.070}_0$	35
$\phi 40$	25	19	22	41.6	14	M12 x 1.5	73	M26 x 1.5	14	7	16	23	183	18	12	$12^{+0.070}_0$	35

Symbol	With switch												With bellows				
Bore size (mm)	CJ	CL	CM	CO	CP	CV	CW	GC	GD	RD	HD	P	P1	(P θ) ^o	b	d	ℓ
$\phi 20$	135	31	24	22	28	19	8	4.0	3.0	8.0	7.0	17.3	19.5	22	30	30	(stroke length/3) + 6
$\phi 25$	142	32	30	26	37	25	10	5.5	4.5	9.5	8.5	19.8	22.0	18	32	46	(stroke length/3.25) + 7
$\phi 32$	142	32	30	26	37	25	10	5.5	4.5	9.5	8.5	24.3	25.5	15	32	46	(stroke length/3.25) + 7
$\phi 40$	146	32	30	26	37	25	10	7.0	6.5	11.5	10.5	28.3	29.5	12	34	46	(stroke length/3.25) + 7

Dimensions

- Fixed eye (CC)
- Eye bush press fitted type (CC1)

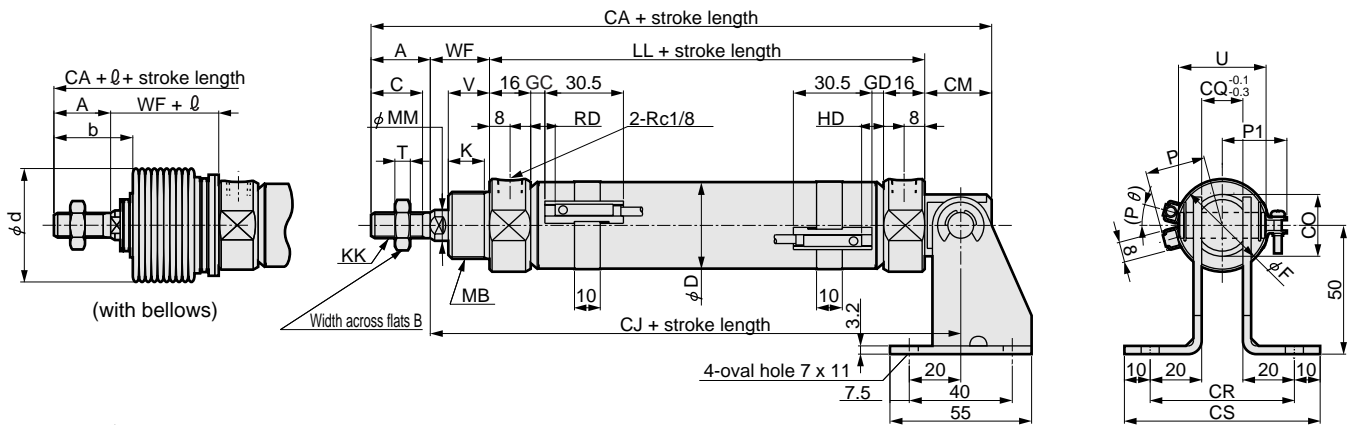


Note 1: For l dimensions, round up decimal point or less.
 Note 2: Refer to page 188 for the HD, RD, and projecting dimensions of the T1* and T8* switches and 2-color indicator switch with preventive maintenance output.
 Note 3: Refer to page 190 for dimensions of accessories.

Symbol	Fixed eye (CC) basic dimensions														Installation dimensions		
	A	B	C	D	F	K	KK	LL	MB	MM	T	U	V	WF	CA	CB	CC
$\phi 20$	20	13	18	21.4	28	12	M8 x 1.0	66	M18 x 1.5	10	5	24	14	24	131	12	9
$\phi 25$	23	17	20	26.4	32	14	M10 x 1.25	69	M26 x 1.5	12	6	30	16	23	136	12	9
$\phi 32$	23	17	20	33.6	36	14	M10 x 1.25	69	M26 x 1.5	12	6	34	16	23	141	14	12
$\phi 40$	25	19	22	41.6	45	14	M12 x 1.5	73	M26 x 1.5	14	7	43	16	23	151	16	14

Symbol	With switch											With bellows				
	CD	CJ	CM	CO	CQ	GC	GD	RD	HD	P	P1	(P θ) ^o	b	d	l	
$\phi 20$	8 ^{+0.058} ₀	102	21	22	16	4.0	3.0	8.0	7.0	17.3	19.5	22	30	30	(stroke length/3) + 6	
$\phi 25$	8 ^{+0.058} ₀	104	21	24	16	5.5	4.5	9.5	8.5	19.8	22.0	18	32	46	(stroke length/3.25) + 7	
$\phi 32$	10 ^{+0.058} ₀	106	26	24	16	5.5	4.5	9.5	8.5	24.3	25.5	15	32	46	(stroke length/3.25) + 7	
$\phi 40$	12 ^{+0.070} ₀	112	30	30	20	7.0	6.5	11.5	10.5	28.3	29.5	12	34	46	(stroke length/3.25) + 7	

- Fixed eye (CC) with bracket (option symbol B2)
- Eye bush press fitted type (CC1) with bracket (option symbol B2)



Note 1: For l dimensions, round up decimal point or less.
 Note 2: Refer to page 188 for the HD, RD, and projecting dimensions of the T1* and T8* switches and 2-color indicator switch with preventive maintenance output.
 Note 3: Refer to page 190 for dimensions of accessories.

Symbol	Fixed eye (CC) with bracket (option symbol B2) basic dimensions														Installation dimensions		
	A	B	C	D	F	K	KK	LL	MB	MM	T	U	V	WF	CA	CJ	CM
$\phi 20$	20	13	18	21.4	28	12	M8 x 1.0	66	M18 x 1.5	10	5	24	14	24	131	102	21
$\phi 25$	23	17	20	26.4	32	14	M10 x 1.25	69	M26 x 1.5	12	6	30	16	23	136	104	21
$\phi 32$	23	17	20	33.6	36	14	M10 x 1.25	69	M26 x 1.5	12	6	34	16	23	141	106	26
$\phi 40$	25	19	22	41.6	45	14	M12 x 1.5	73	M26 x 1.5	14	7	43	16	23	151	112	30

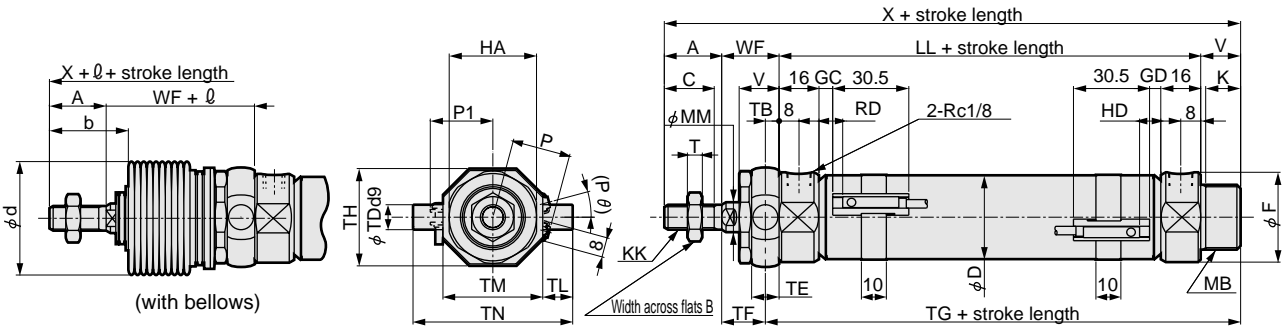
Symbol	With switch											With bellows				
	CO	CQ	CR	CS	GC	GD	RD	HD	P	P1	(P θ) ^o	b	d	l		
$\phi 20$	22	16	56	76	4.0	3.0	8.0	7.0	17.3	19.5	22	30	30	(stroke length/3) + 6		
$\phi 25$	24	16	56	76	5.5	4.5	9.5	8.5	19.8	22.0	18	32	46	(stroke length/3.25) + 7		
$\phi 32$	24	16	56	76	5.5	4.5	9.5	8.5	24.3	25.5	15	32	46	(stroke length/3.25) + 7		
$\phi 40$	30	20	60	80	7.0	6.5	11.5	10.5	28.3	29.5	12	34	46	(stroke length/3.25) + 7		

- SCP*2
- CMK2
- CMA2
- SCM
- SCG
- SCA2
- SCS
- CKV2
- CA/OV2
- SSD
- CAT
- MDC2
- MVC
- SMD2
- MSD*
- FC*
- STK
- ULK*
- JSK/M2
- JSG
- JSC3
- USSD
- USC
- JSB3
- LMB
- STG
- STS/L
- LCS
- LCG
- LCM
- LCT
- LCY
- STR2
- UCA2
- HCM
- HCA
- SRL2
- SRG
- SRM
- SRT
- MRL2
- MRG2
- SM-25
- CAC3
- UCAC
- RCC2
- MFC
- SHC
- GLC
- Ending

Medium bore size cylinder
Standard type

Dimensions

● Rod side trunnion type (TA)



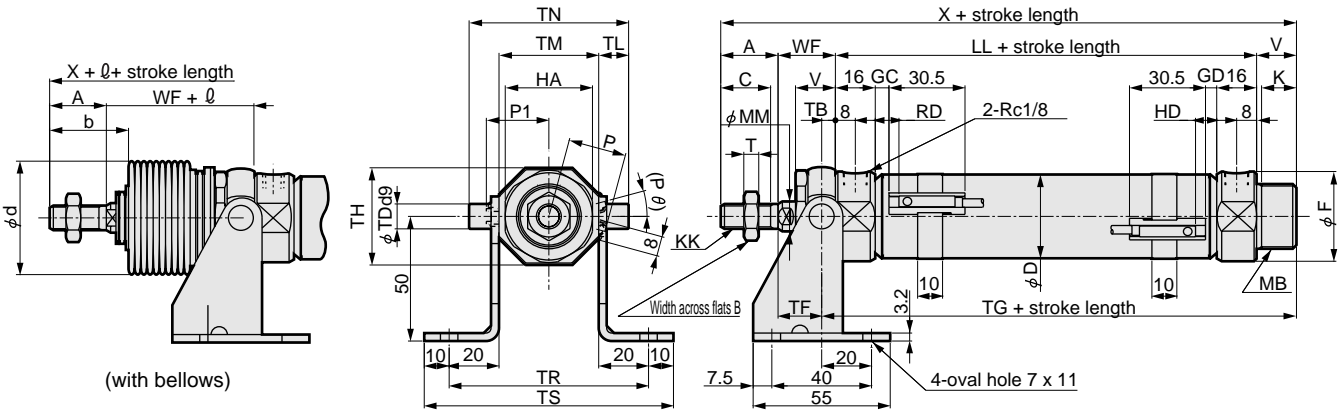
Note 1: For ℓ dimensions, round up decimal point or less.

Note 2: Refer to page 188 for the HD, RD, and projecting dimensions of the T1* and T8* switches and 2-color indicator switch with preventive maintenance output.

Note 3: Refer to page 190 for dimensions of accessories.

Symbol	Rod side trunnion type (TA) basic dimensions															Installation dimensions	
Bore size (mm)	A	B	C	D	F	HA	K	KK	LL	MB	MM	T	V	WF	X	TB	TD
$\phi 20$	20	13	18	21.4	28	26	12	M8 x 1.0	66	M18 x 1.5	10	5	14	24	124	4.5	$8^{+0.040}_{-0.076}$
$\phi 25$	23	17	20	26.4	32	35	14	M10 x 1.25	69	M26 x 1.5	12	6	16	23	131	5.5	$10^{+0.040}_{-0.076}$
$\phi 32$	23	17	20	33.6	36	35	14	M10 x 1.25	69	M26 x 1.5	12	6	16	23	131	5.5	$10^{+0.040}_{-0.076}$
$\phi 40$	25	19	22	41.6	45	35	14	M12 x 1.5	73	M26 x 1.5	14	7	16	23	137	5.5	$10^{+0.040}_{-0.076}$
Symbol	With switch												With bellows				
Bore size (mm)	TE	TF	TG	TH	TL	TM	TN	GC	GD	RD	HD	P	P1	(P θ)°	b	d	ℓ
$\phi 20$	9	19.5	84.5	29.5	8	30	46	4.0	3.0	8.0	7.0	17.3	19.5	22	30	30	(stroke length/3) + 6
$\phi 25$	11	17.5	90.5	39	12	40	64	5.5	4.5	9.5	8.5	19.8	22.0	18	32	46	(stroke length/3.25) + 7
$\phi 32$	11	17.5	90.5	39	12	40	64	5.5	4.5	9.5	8.5	24.3	25.5	15	32	46	(stroke length/3.25) + 7
$\phi 40$	11	17.5	94.5	44	9.5	53	72	7.0	6.5	11.5	10.5	28.3	29.5	12	34	46	(stroke length/3.25) + 7

● Rod side trunnion type (TA) with bracket (option symbol B2)



Note 1: For ℓ dimensions, round up decimal point or less.

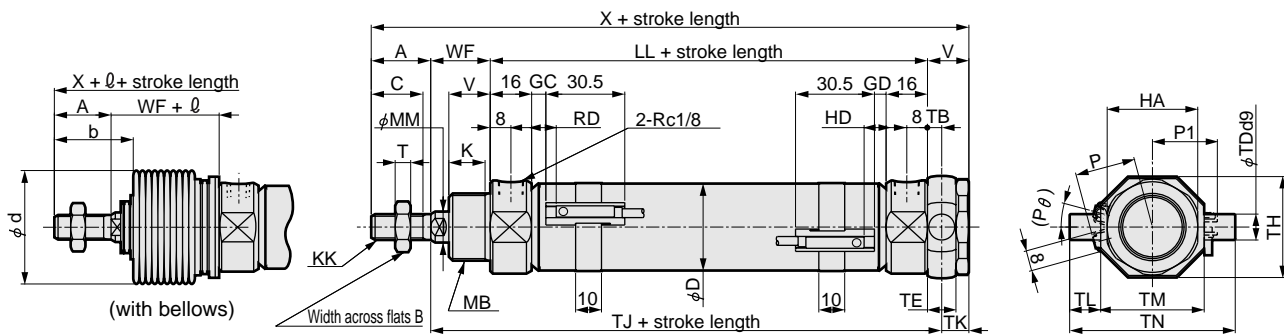
Note 2: Refer to page 188 for the HD, RD, and projecting dimensions of the T1* and T8* switches and 2-color indicator switch with preventive maintenance output.

Note 3: Refer to page 190 for dimensions of accessories.

Symbol	Rod side trunnion type (TA) with bracket (option symbol B2) basic dimensions															Installation dimensions		
Bore size (mm)	A	B	C	D	F	HA	K	KK	LL	MB	MM	T	V	WF	X	TB	TD	TF
$\phi 20$	20	13	18	21.4	28	26	12	M8 x 1.0	66	M18 x 1.5	10	5	14	24	124	4.5	$8^{+0.040}_{-0.076}$	19.5
$\phi 25$	23	17	20	26.4	32	35	14	M10 x 1.25	69	M26 x 1.5	12	6	16	23	131	5.5	$10^{+0.040}_{-0.076}$	17.5
$\phi 32$	23	17	20	33.6	36	35	14	M10 x 1.25	69	M26 x 1.5	12	6	16	23	131	5.5	$10^{+0.040}_{-0.076}$	17.5
$\phi 40$	25	19	22	41.6	45	35	14	M12 x 1.5	73	M26 x 1.5	14	7	16	23	137	5.5	$10^{+0.040}_{-0.076}$	17.5
Symbol	With switch												With bellows					
Bore size (mm)	TG	TH	TL	TM	TN	TR	TS	GC	GD	RD	HD	P	P1	(P θ)°	b	d	ℓ	
$\phi 20$	84.5	29.5	8	30	46	70	90	4.0	3.0	8.0	7.0	17.3	19.5	22	30	30	(stroke length/3) + 6	
$\phi 25$	90.5	39	12	40	64	80	100	5.5	4.5	9.5	8.5	19.8	22.0	18	32	46	(stroke length/3.25) + 7	
$\phi 32$	90.5	39	12	40	64	80	100	5.5	4.5	9.5	8.5	24.3	25.5	15	32	46	(stroke length/3.25) + 7	
$\phi 40$	94.5	44	9.5	53	72	93	113	7.0	6.5	11.5	10.5	28.3	29.5	12	34	46	(stroke length/3.25) + 7	

Dimensions

● Head side trunnion type (TB)



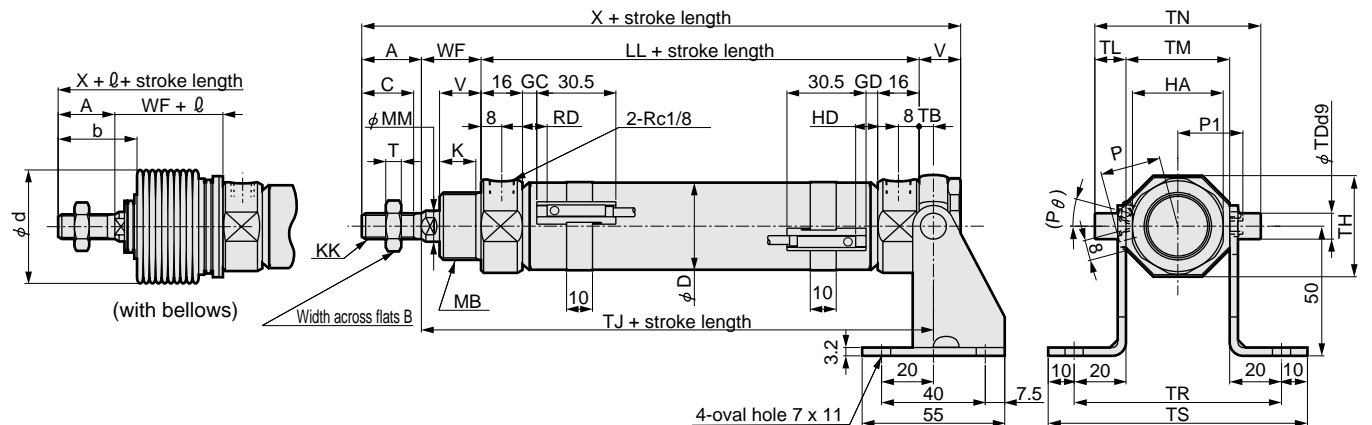
Note 1: For ℓ dimensions, round up decimal point or less.

Note 2: Refer to page 188 for the HD, RD, and projecting dimensions of the T1* and T8* switches and 2-color indicator switch with preventive maintenance output.

Note 3: Refer to page 190 for dimensions of accessories.

Symbol	Head side trunnion type (TB) basic dimensions														Installation dimensions			
Bore size (mm)	A	B	C	D	HA	K	KK	LL	MB	MM	T	V	WF	X	TB	TD	TE	
φ20	20	13	18	21.4	26	12	M8 x 1.0	66	M18 x 1.5	10	5	14	24	124	4.5	8 ^{-0.040} _{-0.076}	9	
φ25	23	17	20	26.4	35	14	M10 x 1.25	69	M26 x 1.5	12	6	16	23	131	5.5	10 ^{-0.040} _{-0.076}	11	
φ32	23	17	20	33.6	35	14	M10 x 1.25	69	M26 x 1.5	12	6	16	23	131	5.5	10 ^{-0.040} _{-0.076}	11	
φ40	25	19	22	41.6	35	14	M12 x 1.5	73	M26 x 1.5	14	7	16	23	137	5.5	10 ^{-0.040} _{-0.076}	11	
Symbol	With switch												With bellows					
Bore size (mm)	TH	TJ	TK	TL	TM	TN	GC	GD	RD	HD	P	P1	(Pθ)°	b	d	ℓ		
φ20	29.5	94.5	9.5	8	30	46	4.0	3.0	8.0	7.0	17.3	19.5	22	30	30	(stroke length/3) + 6		
φ25	39	97.5	10.5	12	40	64	5.5	4.5	9.5	8.5	19.8	22.0	18	32	46	(stroke length/3.25) + 7		
φ32	39	97.5	10.5	12	40	64	5.5	4.5	9.5	8.5	24.3	25.5	15	32	46	(stroke length/3.25) + 7		
φ40	44	101.5	10.5	9.5	53	72	7.0	6.5	11.5	10.5	28.3	29.5	12	34	46	(stroke length/3.25) + 7		

● Head side trunnion type (TB) with bracket (option symbol B2)



Note 1: For ℓ dimensions, round up decimal point or less.

Note 2: Refer to page 188 for the HD, RD, and projecting dimensions of the T1* and T8* switches and 2-color indicator switch with preventive maintenance output.

Note 3: Refer to page 190 for dimensions of accessories.

Symbol	Head side trunnion type (TB) with bracket (option symbol B2) basic dimensions														Installation dimensions			
Bore size (mm)	A	B	C	D	HA	K	KK	LL	MB	MM	T	V	WF	X	TB	TD	TH	
φ20	20	13	18	21.4	26	12	M8 x 1.0	66	M18 x 1.5	10	5	14	24	124	4.5	8 ^{-0.040} _{-0.076}	29.5	
φ25	23	17	20	26.4	35	14	M10 x 1.25	69	M26 x 1.5	12	6	16	23	131	5.5	10 ^{-0.040} _{-0.076}	39	
φ32	23	17	20	33.6	35	14	M10 x 1.25	69	M26 x 1.5	12	6	16	23	131	5.5	10 ^{-0.040} _{-0.076}	39	
φ40	25	19	22	41.6	35	14	M12 x 1.5	73	M26 x 1.5	14	7	16	23	137	5.5	10 ^{-0.040} _{-0.076}	44	
Symbol	With switch												With bellows					
Bore size (mm)	TJ	TL	TM	TN	TR	TS	GC	GD	RD	HD	P	P1	(Pθ)°	b	d	ℓ		
φ20	94.5	8	30	46	70	90	4.0	3.0	8.0	7.0	17.3	19.5	22	30	30	(stroke length/3) + 6		
φ25	97.5	12	40	64	80	100	5.5	4.5	9.5	8.5	19.8	22.0	18	32	46	(stroke length/3.25) + 7		
φ32	97.5	12	40	64	80	100	5.5	4.5	9.5	8.5	24.3	25.5	15	32	46	(stroke length/3.25) + 7		
φ40	101.5	9.5	53	72	93	113	7.0	6.5	11.5	10.5	28.3	29.5	12	34	46	(stroke length/3.25) + 7		

- SCP*2
- CMK2
- CMA2
- SCM
- SCG
- SCA2
- SCS
- CKV2
- CA/OV2
- SSD
- CAT
- MDC2
- MVC
- SMD2
- MSD*
- FC*
- STK
- ULK*
- JSK/M2
- JSG
- JSC3
- USSD
- USC
- JSB3
- LMB
- STG
- STS/L
- LCS
- LCG
- LCM
- LCT
- LCY
- STR2
- UCA2
- HCM
- HCA
- SRL2
- SRG
- SRM
- SRT
- MRL2
- MRG2
- SM-25
- CAC3
- UCAC
- RCC2
- MFC
- SHC
- GLC
- Ending

Medium bore size cylinder
Standard type