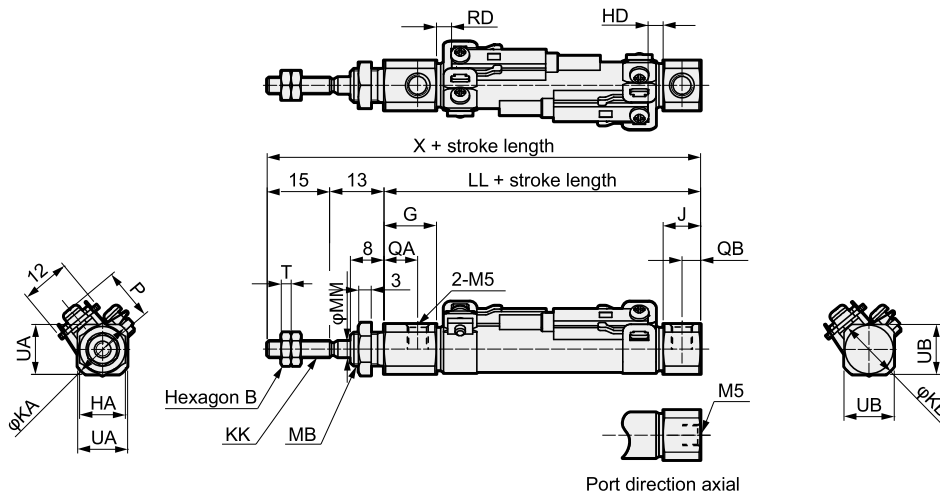


Dimensions

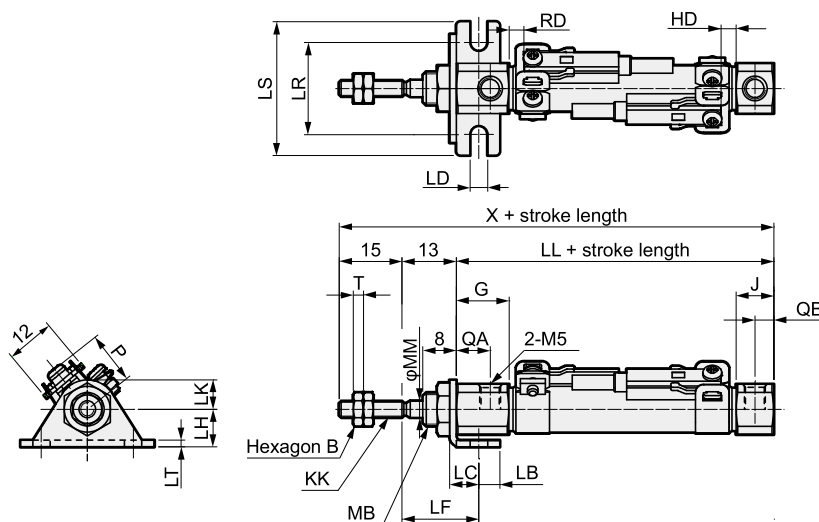
● SCPD3-(L) Basic (00)



- *1 : The dimensions are the same in the type without switch. (Magnet is not built in.)
- *2 : As the thread depth of $\phi 6/\phi 10$ port is 3.8 mm, use a fitting with 3.8 mm or less thread length if necessary.
- *3 : For the dimensions of the accessories, refer to page 15.
- *4 : Values shown in () are for the type with axial port direction.

Code	Basic (00) basic dimensions															With switch							
	Bore size (mm)	B	G	HA	J	KA	KB	KK	LL	MB	MM	QA	QB	T	UA	UB	X	T0, T5, T2, T3			T2W, T3W		P
		RD	HD	RD	HD	P																	
φ6	5.5	17	8	8	13.5	13.5(10)	M3	47	M6	3	13	4	1.8	11	11(9)	75	2	2	4	3.5	11.5		
φ10	7	12.5	11	9	14.5	14.5	M4	46	M8×1.0	4	8	4.5	2.4	12	12	74	3.5	2.5	5.5	4	13.5		
φ16	8	13	14	9	21.5	21.5	M5	46	M10×1.0	5	8.5	4.5	3.2	18	18	74	2	3.5	3.5	5	17.0		

● Axial foot (single) (LS)

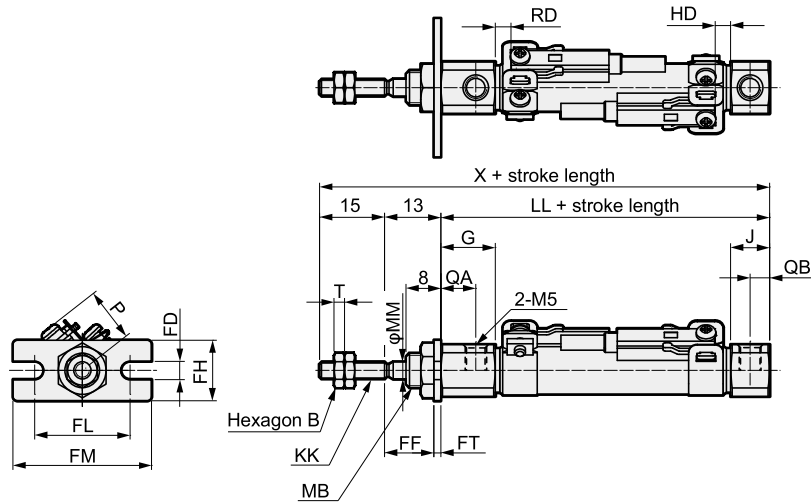


- *1 : The dimensions are the same in the without switch. (Magnet is not built in.)
- *2 : As the thread depth of $\phi 6/\phi 10$ port is 3.8 mm, use a fitting with 3.8 mm or less thread length if necessary.
- *3 : For the dimensions of the accessories, refer to page 15.

Code	Axial foot (single) (LS) basic dimensions										Mounting dimensions										With switch						
	Bore size (mm)	B	G	J	KK	MB	MM	QA	QB	T	X	LB	LC	LD	LF	LL	LH	LK	LR	LS	LT	T0, T5, T2, T3			T2W, T3W		P
		RD	HD	RD	HD	P																					
φ6	5.5	17	8	M3	M6	3	13	4	1.8	75	5	7	4.2	18.4	47	9	7	22	32	1.6	2	2	4	3.5	11.5		
φ10	7	12.5	9	M4	M8×1.0	4	8	4.5	2.4	74	5	7	4.2	18.4	46	9	7	22	32	1.6	3.5	2.5	5.5	4	13.5		
φ16	8	13	9	M5	M10×1.0	5	8.5	4.5	3.2	74	6	9	5.2	19.7	46	14	10	29	42	2.3	2	3.5	3.5	5	17.0		

Dimensions

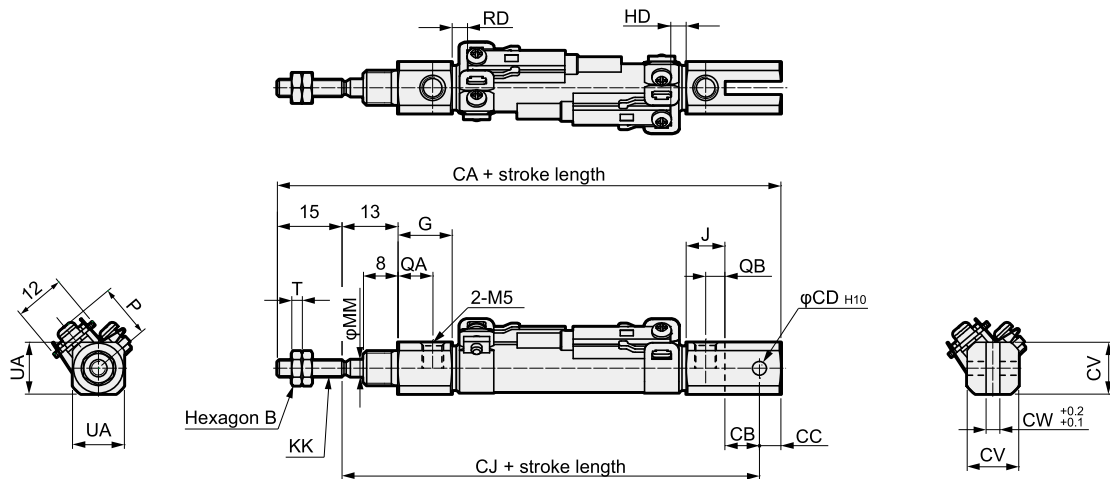
● Rod side flange (FA)



- *1: The dimensions are the same in the type without switch. (Magnet is not built in.)
- *2: As the thread depth of $\phi 6/\phi 10$ port is 3.8 mm, use a fitting with 3.8 mm or less thread length if necessary.
- *3: For the dimensions of the accessories, refer to page 15.

Code	Rod side flange (FA) basic dimensions																Mounting dimensions						With switch				
	Bore size (mm)	B	G	J	KK	LL	MM	QA	QB	T	X	FD	FF	FH	FL	FM	FT	T0, T5, T2, T3		T2W, T3W		P					
		RD	HD	RD	HD																						
$\phi 6$	5.5	17	8	M3	47	M6	3	13	4	1.8	75	4.2	11.4	14	22	32	1.6	2	2	4	3.5	11.5					
$\phi 10$	7	12.5	9	M4	46	M8 \times 1.0	4	8	4.5	2.4	74	4.2	11.4	14	22	32	1.6	3.5	2.5	5.5	4	13.5					
$\phi 16$	8	13	9	M5	46	M10 \times 1.0	5	8.5	4.5	3.2	74	5.2	10.7	20	29	42	2.3	2	3.5	3.5	5	17.0					

● Clevis bracket (CB)

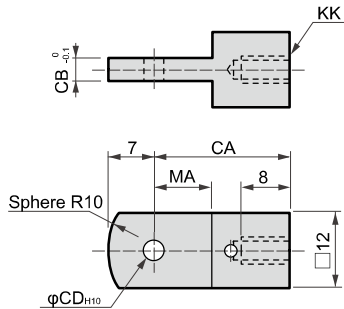


- *1: The dimensions are the same in the type without switch. (Magnet is not built in.)
- *2: As the thread depth of $\phi 6/\phi 10$ port is 3.8 mm, use a fitting with 3.8 mm or less thread length if necessary.
- *3: A pin and retaining bracket are attached.
- *4: For the dimensions of the accessories, refer to page 15.

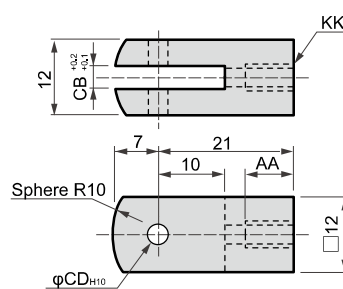
Code	Clevis bracket (CB) basic dimensions																Mounting dimensions						With switch				
	Bore size (mm)	B	G	J	KK	MM	QA	QB	T	UA	CA	CB	CC	CD	CJ	CV	CW	T0, T5, T2, T3		T2W, T3W		P					
		RD	HD	RD	HD																						
$\phi 10$	7	12.5	9	M4	4	8	4.5	2.4	12	87	8	5	3.2	67	12	3.2	3.5	2.5	5.5	4	13.5						
$\phi 16$	8	13	9	M5	5	8.5	4.5	3.2	18	94	10	10	5	69	18	6.5	2	3.5	3.5	5	17.0						

Dimensions

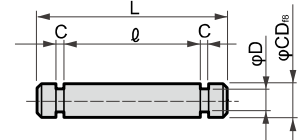
- Rod eye (I) Material: Steel
Zinc chromate treatment



- Rod clevis (Y) Material: Steel
Zinc chromate treatment



- Rod eye Pin (P) for bracket
Clevis Material: Stainless steel



*1: A pin and a retaining bracket for rod clevis use are attached with the product.
*2: A snap ring is attached.

Note: A pin and a snap ring are attached.

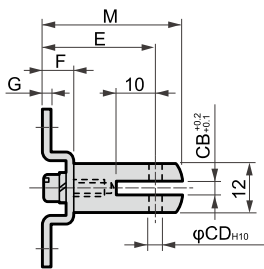
Model No.	Bore size (mm)	CA	CB	CD	KK	MA	Wt. (g)
P2-I-10	φ10	21	3.1	3.2	M4	9	17
P2-I-16	φ16	25	6.4	5	M5	14	21

Model No.	AA	CB	CD	KK	Wt. (g)
P2-Y-10	8	3.2	3.2	M4	25
P2-Y-16	11	6.5	5	M5	20

Model No.	Bore size (mm)	Applicable	C	D	CD	ℓ	L	Wt. (g)
P2-P-10	10	Rod eye/bracket/clevis	0.6	2.5	3.2	13	17	1.2
P2-P-10Z		Clevis for Z						16
P2-P-16	16	Rod eye/bracket	0.7	4	5	13	18	3.0
P2-P-16A		Clevis						19

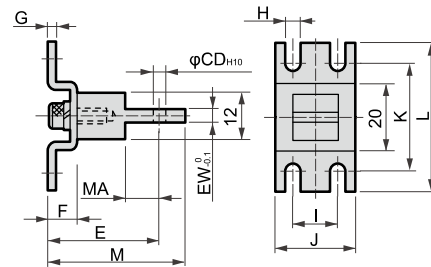
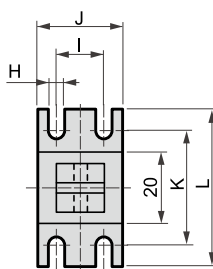
- Clevis bracket (B2)

Material: Steel
Zinc chromate treatment



- Eye bracket (B1)

Material: Steel
Zinc chromate treatment



Note: A pin and a snap ring are attached.

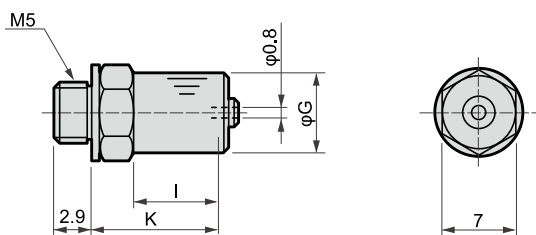
Model No.	Bore size (mm)	CD	E	CB	F	G	H	I	J	K	L	M	Wt. (g)
P2-B2-10	φ10	3.2	29	3.2	8	2	4.2	12	22	30.2	40	36	44
P2-B2-16	φ16	5	31	6.5	10	2.3	5.2	16	28	35.2	48	38	44

Model No.	Bore size (mm)	CD	E	EW	F	G	H	I	J	K	L	M	MA	Wt. (g)
P2-B1-10	φ10	3.2	29	3.1	8	2	4.2	12	22	30.2	40	36	9	37
P2-B1-16	φ16	5	35	6.4	10	2.3	5.2	16	28	35.2	48	42	14	48

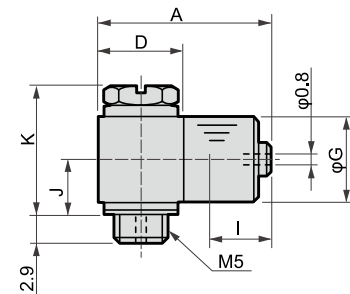
- Hose nipple for pencil shaped cylinder (sales unit is 10 pcs./bag)

- Barbed fitting

Straight/FCS



Elbow/FCL



Model No.	Compatible tube O.D.	G	I	K	Weight (g)	Eff. X-sectional area (mm ²)
FCS4-M5P	φ4	7	4.3	11.7	3.2	0.35
FCS6-M5P	φ6	9	5	12.4	4.5	0.35

Model No.	Tube O.D.	A	D	G	I	J	K	Weight (g)	Eff. X-sectional area (mm ²)
FCL4-M5P	φ4	16.1	8	7	4.3	5.1	11.6	6.8	0.35
FCL6-M5P	φ6	17.8	9	9	5	6.1	13.6	10.1	0.35