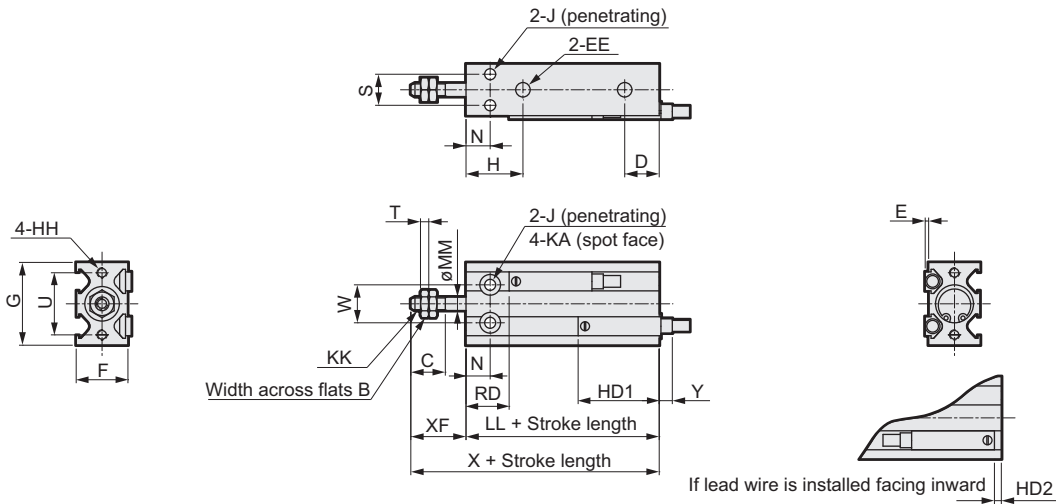


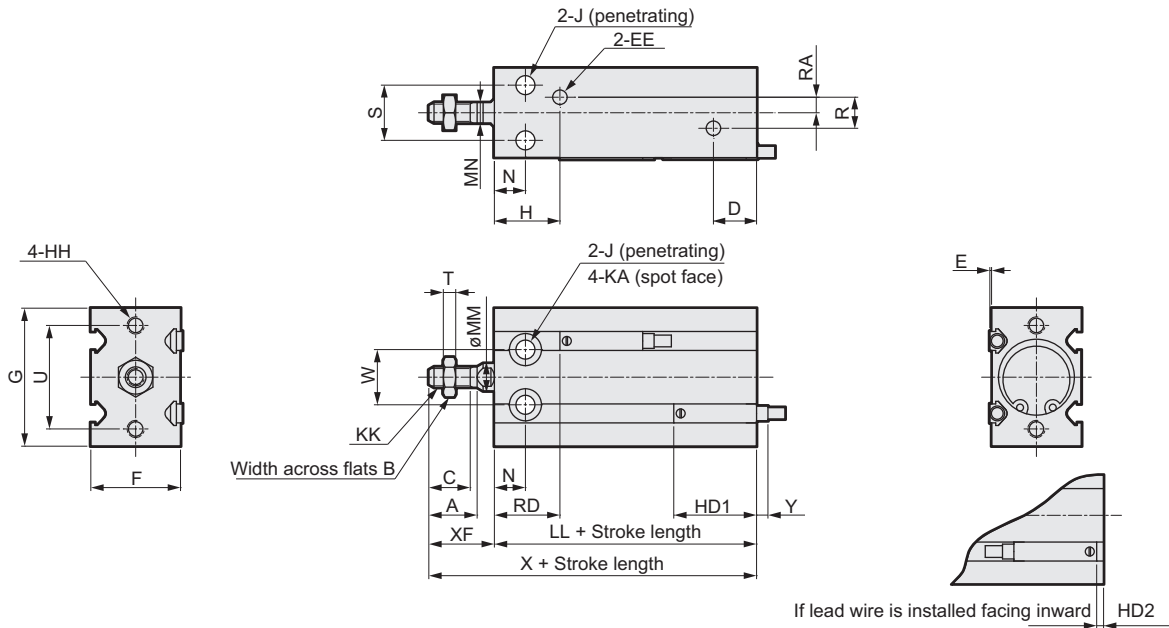
Dimensions

● Double acting SMG- (L)

ø6/10



ø16/ø20/ø25/ø32



Symbol Bore size	A	B	C	D	EE	F	G	H	HH	J	KA	KK	MM	MN	N	R	RA	S
ø6	-	5.5	7	10	M5	13	22	15	M3 depth 5	3.2	6 depth 4.8	M3	3	-	7	-	-	7
ø10	-	7	10	10	M5	15	24	16.5	M3 depth 5	3.2	6 depth 5	M4	4	-	7	-	-	9
ø16	12.5	8	11	11.5	M5	20	32	(Note 1) 16.5	M4 depth 6	4.5	7.5 depth 6.5	M5	6	5	7	4	2	12
ø20	14	10	12	12.5	M5	26	40	19	M5 depth 8	5.5	9 depth 8	M6	8	6	9	9	4.5	16
ø25	18	13	15.5	13	M5	32	50	21.5	M5 depth 8	5.5	9 depth 9	M8	10	8	10	9	4.5	20
ø32	22	17	19.5	12.5	Rc1/8	40	62	23	M6 depth 9	6.6	11 depth 11.5	M10 × 1.25	12	10	11	13.5	4.5	24

Symbol Bore size	T	U	W	XF	LL		X		E		HD1	HD2	RD	Y (Note 2)
					w/o switch	w/ switch	w/o switch	w/ switch	K0/5	K2/3, K3P				
ø6	1.8	17	10	13	33	33	46	46	0.5	1	20	1	13	7
ø10	2.4	18	11	16	36	36	52	52	0.5	1	23.5	4.5	12.5	3.5
ø16	3.2	25	14	16	30	40	46	56	0	0.5	24.5	5.5	15.5	2.5
ø20	3.6	30	16	19	36	46	55	65	0	0.5	27	8	19	0
ø25	5	38	20	23	40	50	63	73	0	0.5	29	10	21	-2
ø32	6	48	24	27	42	52	69	79	0	0.5	30.5	11.5	21.5	-3.5

Note 1: 14.5 if 5stroke length without switch

Note 2: Y dimension refers to projecting length from the edge of the switch's body. (negative dimension is the retracting length from the body's edge)

Note 3: When calculating LL+stroke length and X + stroke length of custom stroke, do not add the value of custom stroke. Add the standard stroke value above.
(ex. When custom stroke is 35mm, use standard stroke 40mm and calculate.)