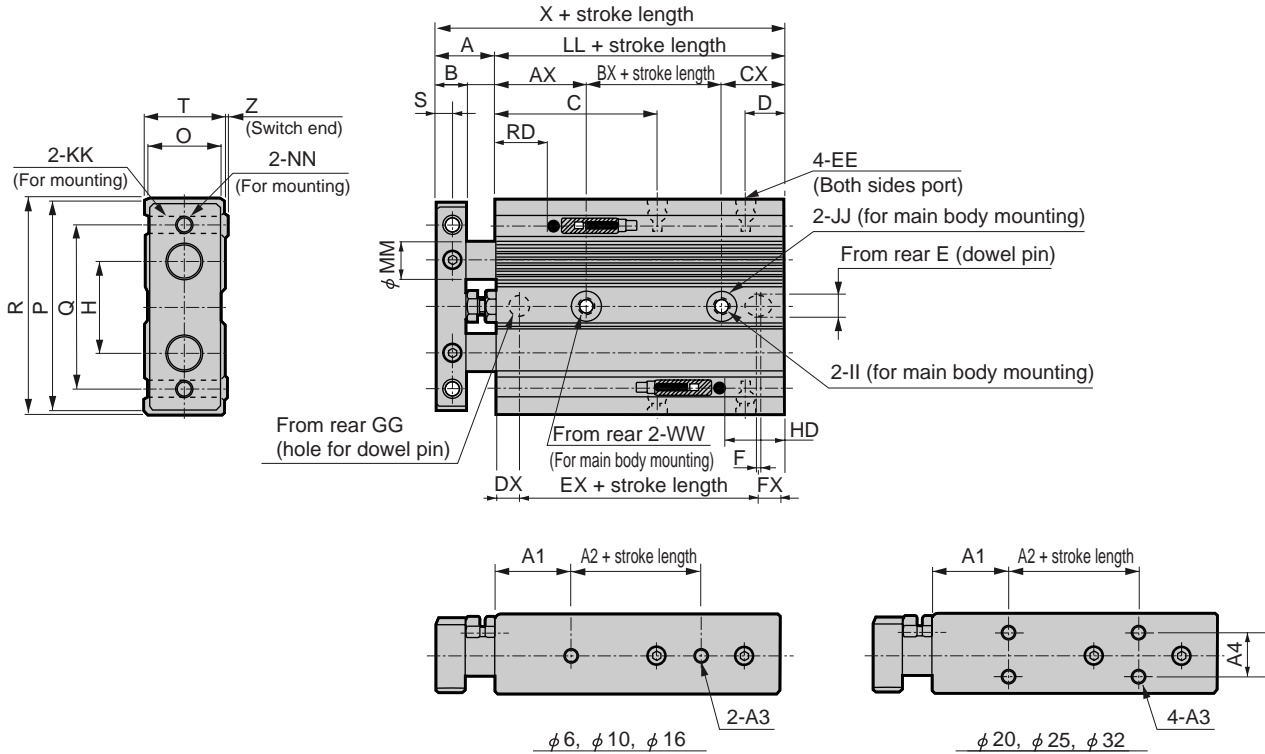




## Dimensions (φ 6 to φ 32)

● Standard type, material of end plate: Steel (F), copper and PTFE free type (P6), piping port position 180° change (O)



Note 1: Note that the HD and RD dimensions at 10 stroke may differ from these dimensions due to the various settings.

Note 2: The total length dimensions for the custom stroke are the same as the longer standard stroke.

Note 3: Refer to page 1910 for 2 color indicator, HD/RD dimensions and projection dimensions of the switch with preventive maintenance output.

Symbol	Basic type, O, F, P6 basic dimensions																		
Bore size (mm)	A	B	C	D	E	EE	F	GG	H	II	JJ	KK	LL	MM	NN	O	P		
φ 6	12	6	24.5	7.5	4 <sup>+0.07</sup> / <sub>+0.02</sub> depth 4	M5	1	4 <sup>+0.07</sup> / <sub>+0.02</sub> depth 4	14	3.4	6.5 spot face depth 3.3	M3 penetrating	44	4	M3 penetrating	11	34		
φ 10	14	6	35	7	4 <sup>+0.07</sup> / <sub>+0.02</sub> depth 4	M5	1	4 <sup>+0.07</sup> / <sub>+0.02</sub> depth 4	20	4.3	8 spot face depth 4.4	M4 penetrating	55	6	M4 penetrating	13	42		
φ 16	16	8	43	9.5	6 <sup>+0.07</sup> / <sub>+0.02</sub> depth 6	M5	1	6 <sup>+0.07</sup> / <sub>+0.02</sub> depth 6	25	4.3	8 spot face depth 4.4	M5 penetrating	66	10	M5 penetrating	19	52		
φ 20	20	10	46	9.5	6 <sup>+0.07</sup> / <sub>+0.02</sub> depth 6	M5	1	6 <sup>+0.07</sup> / <sub>+0.02</sub> depth 6	28	5.2	9.5 spot face depth 5.4	M5 penetrating	75	12	M5 penetrating	24	60		
φ 25	22	12	44	10.5	6 <sup>+0.07</sup> / <sub>+0.02</sub> depth 6	M5	1	6 <sup>+0.07</sup> / <sub>+0.02</sub> depth 6	34	6.3	11 spot face depth 6.5	M6 penetrating	75	14	M6 penetrating	30	70		
φ 32	22	12	56	11	6 <sup>+0.07</sup> / <sub>+0.02</sub> depth 6	Rc1/8	1	6 <sup>+0.07</sup> / <sub>+0.02</sub> depth 6	44	6.3	11 spot face depth 6.5	M6 penetrating	91	16	M6 penetrating	36	94		
Symbol	K0/K5/K2/K3																		
Bore size (mm)	Q	R	S	T	WW	X	AX	BX	CX	DX	EX	FX	Z	A1	A2	A3	A4	HD	RD
φ 6	29	36	3	13	M4 depth 5	56	20	10	14	7	30	7	1.0	15	10	M3 depth 4	-	3.5 Note 1	21 Note 1
φ 10	36	44	3	15	M5 depth 6	69	24	14	17	8	38	9	1.0	15	20	M3 depth 3.5	-	2.5 Note 1	33 Note 1
φ 16	45	58	4	21	M5 depth 6	82	24	26	16	8	50	8	0.5	20	25	M4 depth 4	-	7	39.5
φ 20	50	62	5	27	M6 depth 8	95	24	33	18	9	57	9	0.5	20	30	M4 depth 4	13	10.5	45
φ 25	60	72	6	33	M8 depth 8	97	24	33	18	9	57	9	0.5	20	30	M5 depth 6	18	11.5	43.5
φ 32	75	96	6	38	M8 depth 8	113	24	47	20	9	73	9	0.5	20	40	M5 depth 8	24	15.5	55.5

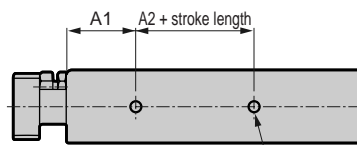
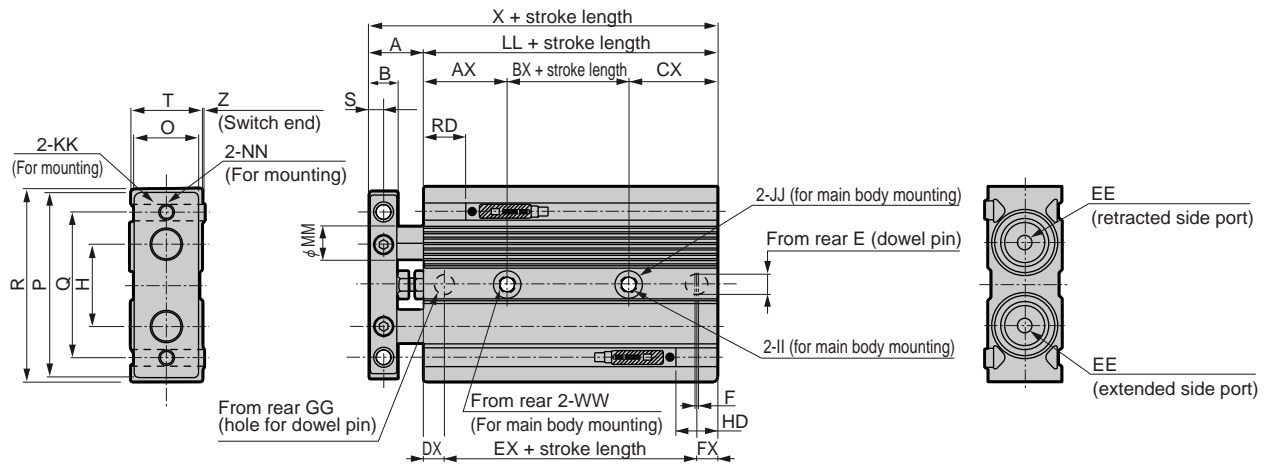
Note 4: STR2-B-6 and 10, reed switch K0/K5 are not available.

Note 5: When the counter bore surface (JJ) is the mounting surface, this cylinder has a step which could cause the cylinder to tilt. In this case, change the port position or use the option with port position changed 180° (O) so that the counter bore surface is not the mounting surface.

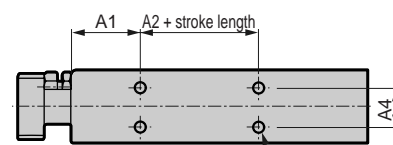
### Dimensions (φ6 to φ32)



● Rear piping (R)



φ 6, φ 10, φ 16



φ 20, φ 25, φ 32

Note 1: Note that the HD and RD dimensions at 10 stroke may differ from these dimensions due to the various settings.

Note 2: The total length dimensions for the custom stroke are the same as the longer standard stroke.

Note 3: Refer to page 1910 for 2 color indicator, HD/RD dimensions and projection dimensions of the switch with preventive maintenance output.

Symbol	R basic dimensions															
Bore size (mm)	A	B	E	EE	F	GG	H	II	JJ	KK	LL	MM	NN	O	P	
φ 6	12	6	4 <sup>+0.07</sup> / <sub>+0.02</sub> depth 4	M5	1	4 <sup>+0.07</sup> / <sub>+0.02</sub> depth 4	14	3.4	6.5 spot face depth 3.3	M3 penetrating	54	4	M3 penetrating	11	34	
φ 10	14	6	4 <sup>+0.07</sup> / <sub>+0.02</sub> depth 4	M5	1	4 <sup>+0.07</sup> / <sub>+0.02</sub> depth 4	20	4.3	8 spot face depth 4.4	M4 penetrating	65	6	M4 penetrating	13	42	
φ 16	16	8	6 <sup>+0.07</sup> / <sub>+0.02</sub> depth 6	M5	1	6 <sup>+0.07</sup> / <sub>+0.02</sub> depth 6	25	4.3	8 spot face depth 4.4	M5 penetrating	76	10	M5 penetrating	19	52	
φ 20	20	10	6 <sup>+0.07</sup> / <sub>+0.02</sub> depth 6	M5	1	6 <sup>+0.07</sup> / <sub>+0.02</sub> depth 6	28	5.2	9.5 spot face depth 5.4	M5 penetrating	85	12	M5 penetrating	24	60	
φ 25	22	12	6 <sup>+0.07</sup> / <sub>+0.02</sub> depth 6	M5	1	6 <sup>+0.07</sup> / <sub>+0.02</sub> depth 6	34	6.3	11 spot face depth 6.5	M6 penetrating	85	14	M6 penetrating	30	70	
φ 32	22	12	6 <sup>+0.07</sup> / <sub>+0.02</sub> depth 6	Rc1/8	1	6 <sup>+0.07</sup> / <sub>+0.02</sub> depth 6	44	6.3	11 spot face depth 6.5	M6 penetrating	101	16	M6 penetrating	36	94	

Symbol	K0/K5/K2/K3																		
Bore size (mm)	Q	R	S	T	WW	X	AX	BX	CX	DX	EX	FX	Z	A1	A2	A3	A4	HD	RD
φ 6	29	36	3	13	M4 depth 5	66	20	10	24	7	40	7	1.0	15	10	M3 depth 4	-	13.5	21
φ 10	36	44	3	15	M5 depth 6	79	24	14	27	8	48	9	1.0	15	20	M3 depth 3.5	-	12.5	33
φ 16	45	58	4	21	M5 depth 6	92	24	26	26	8	60	8	0.5	20	25	M4 depth 4	-	17	39.5
φ 20	50	62	5	27	M6 depth 8	105	24	33	28	9	67	9	0.5	20	30	M4 depth 4	13	20.5	45
φ 25	60	72	6	33	M8 depth 8	107	24	33	28	9	67	9	0.5	20	30	M5 depth 6	18	21.5	43.5
φ 32	75	96	6	38	M8 depth 8	123	24	47	30	9	83	9	0.5	20	40	M5 depth 8	24	25.5	55.5

Note 4: STR2-B-6 and 10, reed switch K0/K5 are not available.

Note 5: When the counter bore surface (JJ) is the mounting surface, this cylinder has a step which could cause the cylinder to tilt. In this case, change the port position or use the option with port position changed 180° (O) so that the counter bore surface is not the mounting surface.

- SCP\*2
- CMK2
- CMA2
- SCM
- SCG
- SCA2
- SCS
- CKV2
- CA/OV2
- SSD
- CAT
- MDC2
- MVC
- SMD2
- MSD\*
- FC\*
- STK
- ULK\*
- JSK/M2
- JSG
- JSC3
- USSD
- USC
- JSB3
- LMB
- STG
- STS/L
- LCS
- LCG
- LCM
- LCT
- LCY
- STR2**
- UCA2
- HCM
- HCA
- SRL2
- SRG
- SRM
- SRT
- MRL2
- MRG2
- SM-25
- CAC3
- UCAC
- RCC2
- MFC
- SHC
- GLC
- Ending

Twin rod cylinder  
Combined functions