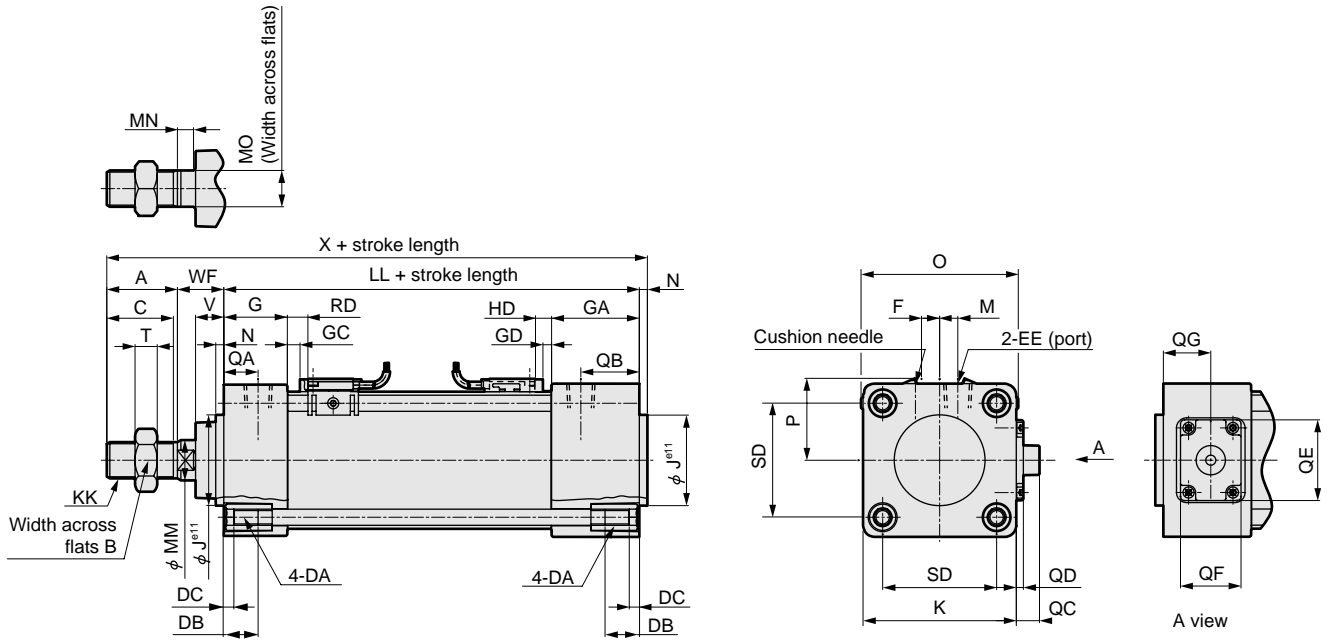


Dimensions



● Basic type (00) with head end position locking



Note 1: RD and HD in the dimensions indicate the switch end positions, and GC and GD indicate the switch rail end positions.

Symbol	Basic dimensions for basic type (00) with head end position locking																				
	A	B	C	DA	DB	DC	EE	F	G	GA	J	K	KK	LL	M	MM	MN	MO	N	O	QA
φ32	22	17	19.5	M6	16	5	Rc1/8	6.5	27	35	30	46	M10 x 1.25	92	4	12	5.5	10	4	52	13
φ40	30	22	27	M6	16	5	Rc1/4	9	27	40	35	52	M14 x 1.5	97	4	16	6	14	4	58	14
φ50	35	27	32	M8	16	5	Rc1/4	10.5	31.5	43.5	40	65	M18 x 1.5	106	5	20	7	17	4	68	15.5
φ63	35	27	32	M8	16	5	Rc3/8	12	31.5	43.5	45	75	M18 x 1.5	106	9	20	7	17	4	78	16.5
φ80	40	32	37	M10	16	5	Rc3/8	14	38	56	45	95	M22 x 1.5	132	11.5	25	10	22	4	95	19
φ100	40	41	37	M10	16	5	Rc1/2	15	38	56	55	114	M26 x 1.5	132	17	30	10	27	4	114	19

Symbol	With switch															
	QB	QC	QD	QE	QF	QG	SD	T	V	WF	X	GC	GD	RD	HD	P
φ32	21	13	8	22	16	17.5	32.5	6	13	25	143	1	1	5	5	25
φ40	27	12	7	22	16	18.5	38	8	13	21	152	1	1	5	5	29
φ50	27.5	17	8.5	40	30	23.8	46.5	11	14	23	168	2.5	1	6.5	5	34
φ63	28.5	11.5	3.5	40	30	23.8	56.5	11	14	23	168	2.5	1	6.5	5	40
φ80	37	10	2	40	30	27.5	72	13	20	32	208	8.5	2	12.5	6	-
φ100	37	11	3	40	30	27.5	89	16	20	32	208	8	2.5	12	6.5	-

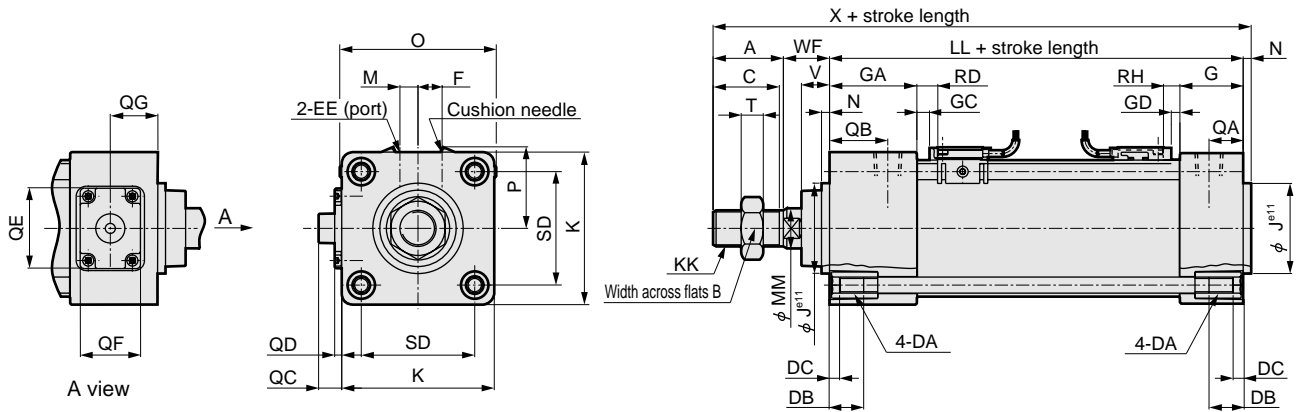
Note 2: Refer to page 426 for the HD, RD and projecting dimensions of 2-color indicators with preventive maintenance output.

Note 3: Refer to pages 428, 429 for accessory dimensions.

Dimensions



- Basic type (00) with rod end position locking



Note 1: RD and HD in the dimensions indicate the switch end positions, and GC and GD indicate the switch rail end positions.

Symbol	Basic dimensions for basic type (00) with rod end position locking																		
	Bore size (mm)	A	B	C	DA	DB	DC	EE	F	G	GA	J	K	KK	LL	M	MM	N	O
φ 32	22	17	19.5	M6	16	5	Rc1/8	6.5	27	35	30	46	M10 x 1.25	92	4	12	4	52	13
φ 40	30	22	27	M6	16	5	Rc1/4	9	27	40	35	52	M14 x 1.5	97	4	16	4	58	14
φ 50	35	27	32	M8	16	5	Rc1/4	10.5	31.5	43.5	40	65	M18 x 1.5	106	5	20	4	68	15.5
φ 63	35	27	32	M8	16	5	Rc3/8	12	31.5	43.5	45	75	M18 x 1.5	106	9	20	4	78	16.5
φ 80	40	32	37	M10	16	5	Rc3/8	14	38	56	45	95	M22 x 1.5	132	11.5	25	4	95	19
φ 100	40	41	37	M10	16	5	Rc1/2	15	38	56	55	114	M26 x 1.5	132	17	30	4	114	19

Symbol	Basic dimensions for basic type (00) with rod end position locking											With switch				
	Bore size (mm)	QB	QC	QD	QE	QF	QG	SD	T	V	WF	X	GC	GD	RD	HD
φ 32	21	13	8	22	16	17.5	32.5	6	13	25	143	1	1	5	5	25
φ 40	27	12	7	22	16	18.5	38	8	13	21	152	1	1	5	5	29
φ 50	27.5	17	8.5	40	30	23.8	46.5	11	14	23	168	2.5	1	6.5	5	34
φ 63	28.5	11.5	3.5	40	30	23.8	56.5	11	14	23	168	2.5	1	6.5	5	40
φ 80	37	10	2	40	30	27.5	72	13	20	32	208	8.5	2	12.5	6	-
φ 100	37	11	3	40	30	31.5	89	16	20	32	208	8	2.5	12	6.5	-

Note 2: Refer to page 426 for the HD, RD and projecting dimensions of 2-color indicators with preventive maintenance output.

Note 3: Refer to pages 428, 429 for accessory dimensions.

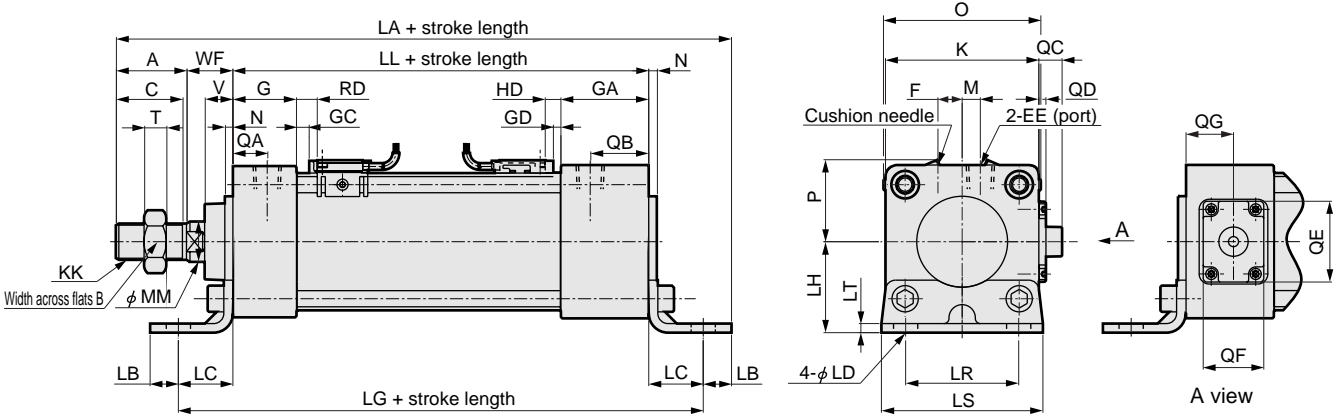
SCP*2
CMK2
CMA2
SCM
SCG
SCA2
SCS
CKV2
CA/OV2
SSD
CAT
MDC2
MVC
SMD2
MSD*
FC*
STK
ULK*
JSK/M2
JSG
JSC3
USSD
USC
JSB3
LMB
STG
STS/L
LCS
LCG
LCM
LCT
LCY
STR2
UCA2
HCM
HCA
SRL2
SRG
SRM
SRT
MRL2
MRG2
SM-25
CAC3
UCAC
RCC2
MFC
SHC
GLC
Ending

Tie rod cylinder
Standard type

Dimensions



● Axial foot type (LB) with head end position locking



Note 1: RD and HD in the dimensions indicate the switch end positions, and GC and GD indicate the switch rail end positions.

Symbol	Basic dimensions for axial foot type (LB) with head end position locking																			
	A	B	C	EE	F	G	GA	K	KK	LL	M	MM	N	O	QA	QB	QC	QD	QE	QF
φ32	22	17	19.5	Rc1/8	6.5	27	35	46	M10 x 1.25	92	4	12	4	52	13	21	13	8	22	16
φ40	30	22	27	Rc1/4	9	27	40	52	M14 x 1.5	97	4	16	4	58	14	27	12	7	22	16
φ50	35	27	32	Rc1/4	10.5	31.5	43.5	65	M18 x 1.5	106	5	20	4	68	15.5	27.5	17	8.5	40	30
φ63	35	27	32	Rc3/8	12	31.5	43.5	75	M18 x 1.5	106	9	20	4	78	16.5	28.5	11.5	3.5	40	30
φ80	40	32	37	Rc3/8	14	38	56	95	M22 x 1.5	132	11.5	25	4	95	19	37	10	2	40	30
φ100	40	41	37	Rc1/2	15	38	56	114	M26 x 1.5	132	17	30	4	114	19	37	11	3	40	30

Symbol	Installation dimensions												With switch					
	QG	T	V	WF	LA	LB	LC	LD	LG	LH	LR	LS	LT	GC	GD	RD	HD	P
φ32	17.5	6	13	25	170	9	22	7	136	30	32	50	3.2	1	1	5	5	25
φ40	18.5	8	13	21	183	11	24	9	145	33	38	55	3.2	1	1	5	5	29
φ50	23.8	11	14	23	202	11	27	9	160	40	46	70	3.2	2.5	1	6.5	5	34
φ63	23.8	11	14	23	205	14	27	12	160	45	56	80	4.5	2.5	1	6.5	5	40
φ80	27.5	13	20	32	248	14	30	12	192	55	72	95	4.5	8.5	2	12.5	6	-
φ100	27.5	16	20	32	252	16	32	14	196	65	89	114	6	8	2.5	12	6.5	-

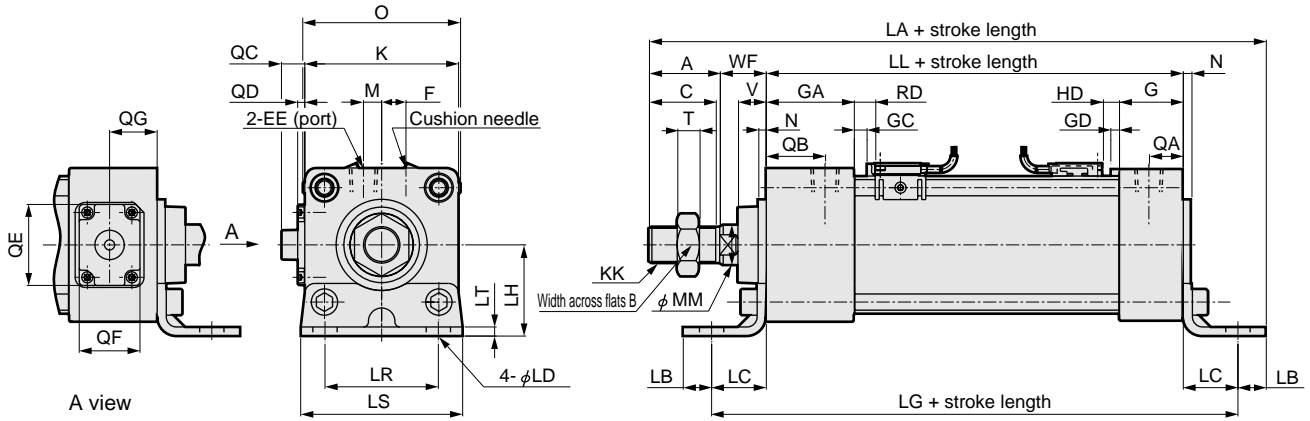
Note 2: Refer to page 426 for the HD, RD and projecting dimensions of 2-color indicators with preventive maintenance output.

Note 3: Refer to pages 428, 429 for accessory dimensions.

Dimensions



- Axial foot type (LB) with rod end position locking



Note 1: RD and HD in the dimensions indicate the switch end positions, and GC and GD indicate the switch rail end positions.

Symbol	Basic dimensions for axial foot type (LB) with rod end position locking																			
Bore size (mm)	A	B	C	EE	F	G	GA	K	KK	LL	M	MM	N	O	QA	QB	QC	QD	QE	QF
φ32	22	17	19.5	Rc1/8	6.5	27	35	46	M10 x 1.25	92	4	12	4	52	13	21	13	8	22	16
φ40	30	22	27	Rc1/4	9	27	40	52	M14 x 1.5	97	4	16	4	58	14	27	12	7	22	16
φ50	35	27	32	Rc1/4	10.5	31.5	43.5	65	M18 x 1.5	106	5	20	4	68	15.5	27.5	17	8.5	40	30
φ63	35	27	32	Rc3/8	12	31.5	43.5	75	M18 x 1.5	106	9	20	4	78	16.5	28.5	11.5	3.5	40	30
φ80	40	32	37	Rc3/8	14	38	56	95	M22 x 1.5	132	11.5	25	4	95	19	37	10	2	40	30
φ100	40	41	37	Rc1/2	15	38	56	114	M26 x 1.5	132	17	30	4	114	19	37	11	3	40	30

Symbol	Installation dimensions												With switch					
	QG	T	V	WF	LA	LB	LC	LD	LG	LH	LR	LS	LT	GC	GD	RD	HD	P
φ32	17.5	6	13	25	170	9	22	7	136	30	32	50	3.2	1	1	5	5	25
φ40	18.5	8	13	21	183	11	24	9	145	33	38	55	3.2	1	1	5	5	29
φ50	23.8	11	14	23	202	11	27	9	160	40	46	70	3.2	2.5	1	6.5	5	34
φ63	23.8	11	14	23	205	14	27	12	160	45	56	80	4.5	2.5	1	6.5	5	40
φ80	27.5	13	20	32	248	14	30	12	192	55	72	95	4.5	8.5	2	12.5	6	-
φ100	31.5	16	20	32	252	16	32	14	196	65	89	114	6	8	2.5	12	6.5	-

Note 2: Refer to page 426 for the HD, RD and projecting dimensions of 2-color indicators with preventive maintenance output.

Note 3: Refer to pages 428, 429 for accessory dimensions.

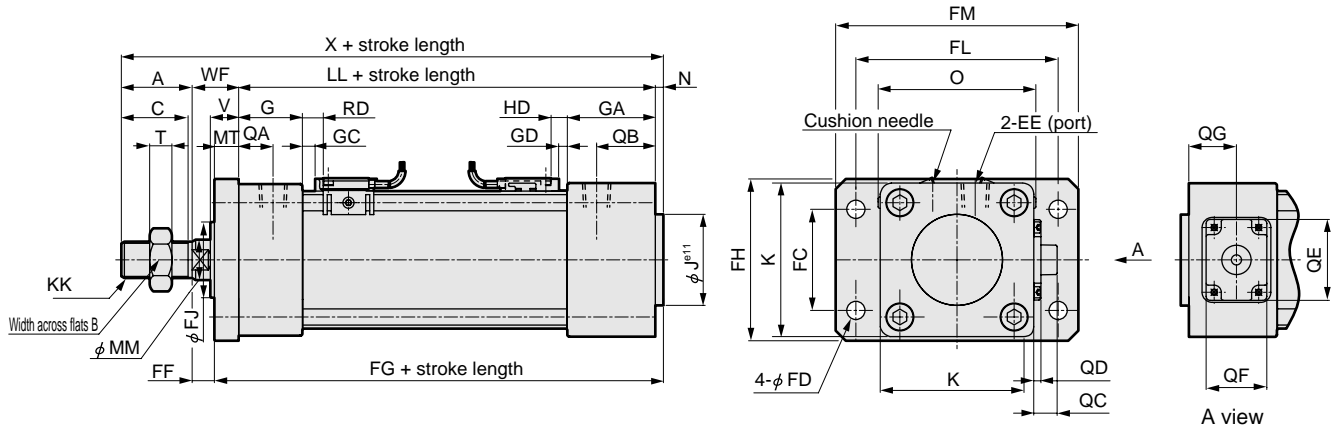
- SCP*2
- CMK2
- CMA2
- SCM
- SCG**
- SCA2
- SCS
- CKV2
- CA/OV2
- SSD
- CAT
- MDC2
- MVC
- SMD2
- MSD*
- FC*
- STK
- ULK*
- JSK/M2
- JSG
- JSC3
- USSD
- USC
- JSB3
- LMB
- STG
- STS/L
- LCS
- LCG
- LCM
- LCT
- LCY
- STR2
- UCA2
- HCM
- HCA
- SRL2
- SRG
- SRM
- SRT
- MRL2
- MRG2
- SM-25
- CAC3
- UCAC
- RCC2
- MFC
- SHC
- GLC
- Ending

Tie rod cylinder
Standard type

Dimensions



- Rod end flange type (FA) with head end position locking



Note 1: RD and HD in the dimensions indicate the switch end positions, and GC and GD indicate the switch rail end positions.

Symbol	Basic dimensions for rod end flange type (FA) with head end position locking																				
	A	B	C	EE	F	G	GA	J	K	KK	LL	M	MM	N	O	QA	QB	QC	QD	QE	
LCM	φ32	22	17	19.5	Rc1/8	6.5	27	35	30	46	M10 x 1.25	92	4	12	4	52	13	21	13	8	22
LCT	φ40	30	22	27	Rc1/4	9	27	40	35	52	M14 x 1.5	97	4	16	4	58	14	27	12	7	22
LCY	φ50	35	27	32	Rc1/4	10.5	31.5	43.5	40	65	M18 x 1.5	106	5	20	4	68	15.5	27.5	17	8.5	40
STR2	φ63	35	27	32	Rc3/8	12	31.5	43.5	45	75	M18 x 1.5	106	9	20	4	78	16.5	28.5	11.5	3.5	40
UCA2	φ80	40	32	37	Rc3/8	14	38	56	45	95	M22 x 1.5	132	11.5	25	4	95	19	37	10	2	40
HCM	φ100	40	41	37	Rc1/2	15	38	56	55	114	M26 x 1.5	132	17	30	4	114	19	37	11	3	40

Symbol	Installation dimensions										With switch										
	QF	QG	T	V	WF	X	FC	FD	FF	FG	Fj	MT	FH	FL	FM	GC	GD	RD	HD	P	
SRM	φ32	16	17.5	6	13	25	143	32	7	15	106	29	10	50	64	79	1	1	5	5	25
SRT	φ40	16	18.5	8	13	21	152	36	9	11	111	30	10	55	72	90	1	1	5	5	29
MRL2	φ50	30	23.8	11	14	23	168	45	9	11	122	38	12	70	90	110	2.5	1	6.5	5	34
MRG2	φ63	30	23.8	11	14	23	168	50	9	11	122	38	12	80	100	120	2.5	1	6.5	5	40
SM-25	φ80	30	27.5	13	20	32	208	63	12	16	152	43	16	100	126	153	8.5	2	12.5	6	-
CAC3	φ100	30	27.5	16	20	32	208	75	14	16	152	51	16	120	150	178	8	2.5	12	6.5	-

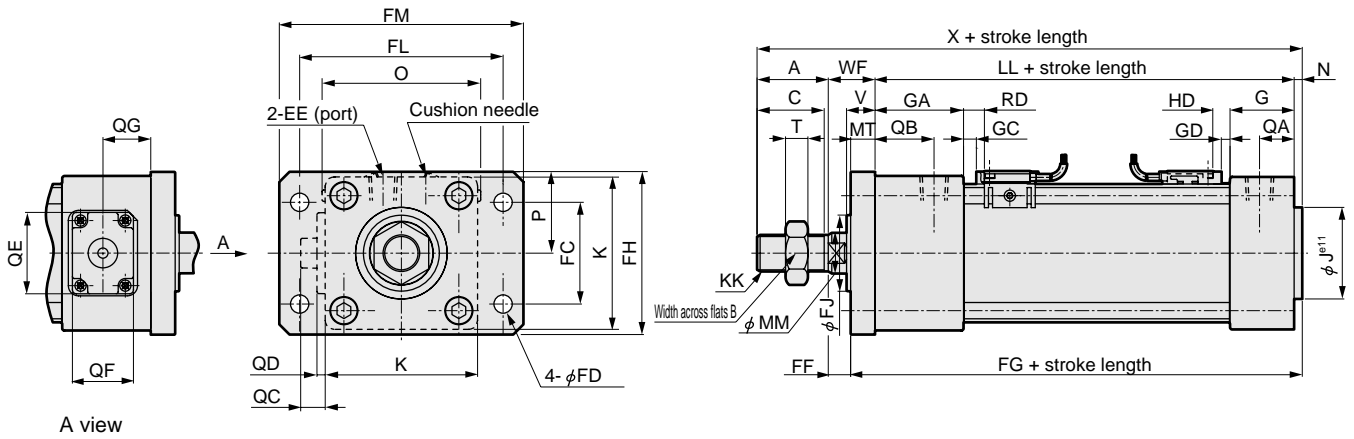
Note 2: Refer to page 426 for the HD, RD and projecting dimensions of 2-color indicators with preventive maintenance output.

Note 3: Refer to pages 428, 429 for accessory dimensions.

Dimensions



- Rod end flange type (FA) with rod end position locking



Note 1: RD and HD in the dimensions indicate the switch end positions, and GC and GD indicate the switch rail end positions.

Symbol	Basic dimensions for rod end flange type (FA) with rod end position locking																			
Bore size (mm)	A	B	C	EE	F	G	GA	J	K	KK	LL	M	MM	N	O	QA	QB	QC	QD	QE
φ32	22	17	19.5	Rc1/8	6.5	27	35	30	46	M10 x 1.25	92	4	12	4	52	13	21	13	8	22
φ40	30	22	27	Rc1/4	9	27	40	35	52	M14 x 1.5	97	4	16	4	58	14	27	12	7	22
φ50	35	27	32	Rc1/4	10.5	31.5	43.5	40	65	M18 x 1.5	106	5	20	4	68	15.5	27.5	17	8.5	40
φ63	35	27	32	Rc3/8	12	31.5	43.5	45	75	M18 x 1.5	106	9	20	4	78	16.5	28.5	11.5	3.5	40
φ80	40	32	37	Rc3/8	14	38	56	45	95	M22 x 1.5	132	11.5	25	4	95	19	37	10	2	40
φ100	40	41	37	Rc1/2	15	38	56	55	114	M26 x 1.5	132	17	30	4	114	19	37	11	3	40

Symbol	Installation dimensions											With switch								
Bore size (mm)	QF	QG	T	V	WF	X	FC	FD	FF	FG	Fj	MT	FH	FL	FM	GC	GD	RD	HD	P
φ32	16	17.5	6	13	25	143	32	7	15	106	29	10	50	64	79	1	1	5	5	25
φ40	16	18.5	8	13	21	152	36	9	11	111	30	10	55	72	90	1	1	5	5	29
φ50	30	23.8	11	14	23	168	45	9	11	122	38	12	70	90	110	2.5	1	6.5	5	34
φ63	30	23.8	11	14	23	168	50	9	11	122	38	12	80	100	120	2.5	1	6.5	5	40
φ80	30	27.5	13	20	32	208	63	12	16	152	43	16	100	126	153	8.5	2	12.5	6	-
φ100	30	31.5	16	20	32	208	75	14	16	152	51	16	120	150	178	8	2.5	12	6.5	-

Note 2: Refer to page 426 for the HD, RD and projecting dimensions of 2-color indicators with preventive maintenance output.

Note 3: Refer to pages 428, 429 for accessory dimensions.

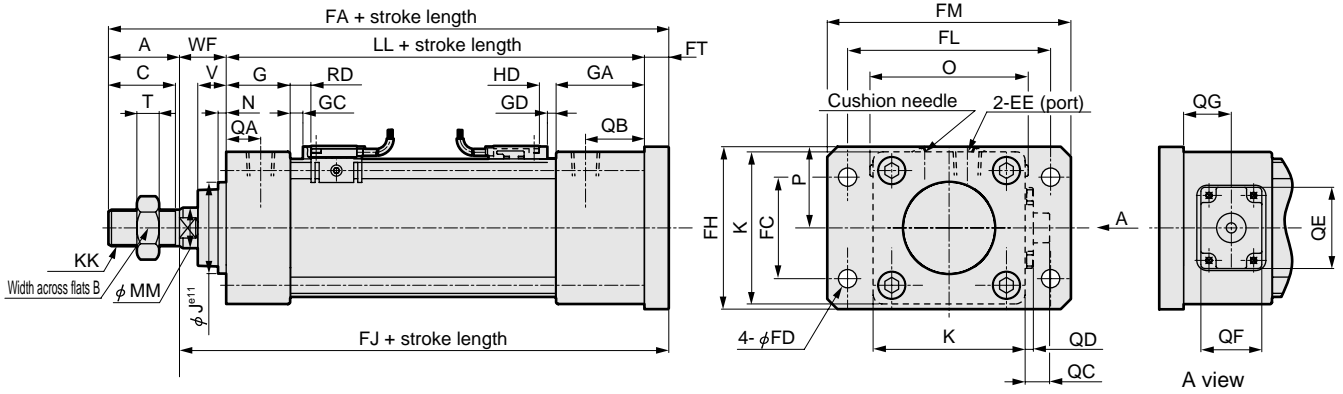
SCP*2
CMK2
CMA2
SCM
SCG
SCA2
SCS
CKV2
CA/OV2
SSD
CAT
MDC2
MVC
SMD2
MSD*
FC*
STK
ULK*
JSK/M2
JSG
JSC3
USSD
USC
JSB3
LMB
STG
STS/L
LCS
LCG
LCM
LCT
LCY
STR2
UCA2
HCM
HCA
SRL2
SRG
SRM
SRT
MRL2
MRG2
SM-25
CAC3
UCAC
RCC2
MFC
SHC
GLC
Ending

Tie rod cylinder
Standard type

Dimensions



● Head end flange type (FB) with head end position locking



Note 1: RD and HD in the dimensions indicate the switch end positions, and GC and GD indicate the switch rail end positions.

Symbol	Basic dimensions for head end flange type (FB) with head end position locking																			
	A	B	C	EE	F	G	GA	J	K	KK	LL	M	MM	O	QA	QB	QC	QD	QE	QF
φ32	22	17	19.5	Rc1/8	6.5	27	35	30	46	M10 x 1.25	92	4	12	52	13	21	13	8	22	16
φ40	30	22	27	Rc1/4	9	27	40	35	52	M14 x 1.5	97	4	16	58	14	27	12	7	22	16
φ50	35	27	32	Rc1/4	10.5	31.5	43.5	40	65	M18 x 1.5	106	5	20	68	15.5	27.5	17	8.5	40	30
φ63	35	27	32	Rc3/8	12	31.5	43.5	45	75	M18 x 1.5	106	9	20	78	16.5	28.5	11.5	3.5	40	30
φ80	40	32	37	Rc3/8	14	38	56	45	95	M22 x 1.5	132	11.5	25	95	19	37	10	2	40	30
φ100	40	41	37	Rc1/2	15	38	56	55	114	M26 x 1.5	132	17	30	114	19	37	11	3	40	30

Symbol	Installation dimensions										With switch					
	QG	T	V	WF	FA	FC	FD	FJ	FL	FM	FT	GC	GD	RD	HD	P
φ32	17.5	6	13	25	149	32	7	127	64	79	10	1	1	5	5	25
φ40	18.5	8	13	21	158	36	9	128	72	90	10	1	1	5	5	29
φ50	23.8	11	14	23	176	45	9	141	90	110	12	2.5	1	6.5	5	34
φ63	23.8	11	14	23	176	50	9	141	100	120	12	2.5	1	6.5	5	40
φ80	27.5	13	20	32	220	63	12	180	126	153	16	8.5	2	12.5	6	-
φ100	27.5	16	20	32	220	75	14	180	150	178	16	8	2.5	12	6.5	-

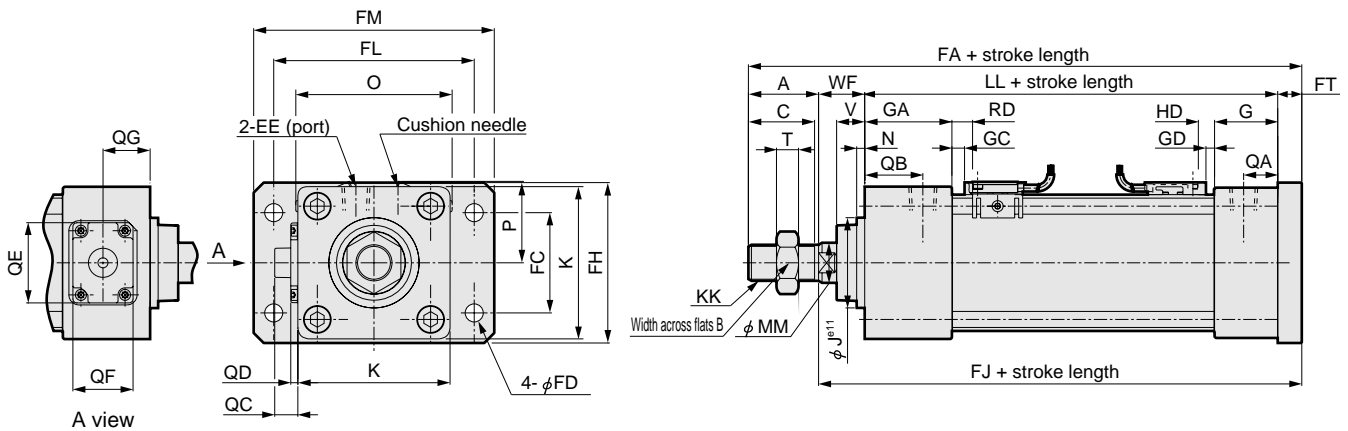
Note 2: Refer to page 426 for the HD, RD and projecting dimensions of 2-color indicators with preventive maintenance output.

Note 3: Refer to pages 428, 429 for accessory dimensions.

Dimensions



- Head end flange type (FB) with rod end position locking



Note 1: RD and HD in the dimensions indicate the switch end positions, and GC and GD indicate the switch rail end positions.

Symbol	Basic dimensions for head end flange type (FB) with rod end position locking																			
	A	B	C	EE	F	G	GA	J	K	KK	LL	M	MM	O	QA	QB	QC	QD	QE	QF
φ32	22	17	19.5	Rc1/8	6.5	27	35	30	46	M10 x 1.25	92	4	12	52	13	21	13	8	22	16
φ40	30	22	27	Rc1/4	9	27	40	35	52	M14 x 1.5	97	4	16	58	14	27	12	7	22	16
φ50	35	27	32	Rc1/4	10.5	31.5	43.5	40	65	M18 x 1.5	106	5	20	68	15.5	27.5	17	8.5	40	30
φ63	35	27	32	Rc3/8	12	31.5	43.5	45	75	M18 x 1.5	106	9	20	78	16.5	28.5	11.5	3.5	40	30
φ80	40	32	37	Rc3/8	14	38	56	45	95	M22 x 1.5	132	11.5	25	95	19	37	10	2	40	30
φ100	40	41	37	Rc1/2	15	38	56	55	114	M26 x 1.5	132	17	30	114	19	37	11	3	40	30

Symbol	Installation dimensions							With switch								
	QG	T	V	WF	FA	FC	FD	FJ	FL	FM	FT	GC	GD	RD	HD	P
φ32	17.5	6	13	25	149	32	7	127	64	79	10	1	1	5	5	25
φ40	18.5	8	13	21	158	36	9	128	72	90	10	1	1	5	5	29
φ50	23.8	11	14	23	176	45	9	141	90	110	12	2.5	1	6.5	5	34
φ63	23.8	11	14	23	176	50	9	141	100	120	12	2.5	1	6.5	5	40
φ80	27.5	13	20	32	220	63	12	180	126	153	16	8.5	2	12.5	6	-
φ100	31.5	16	20	32	220	75	14	180	150	178	16	8	2.5	12	6.5	-

Note 2: Refer to page 426 for the HD, RD and projecting dimensions of 2-color indicators with preventive maintenance output.

Note 3: Refer to pages 428, 429 for accessory dimensions.

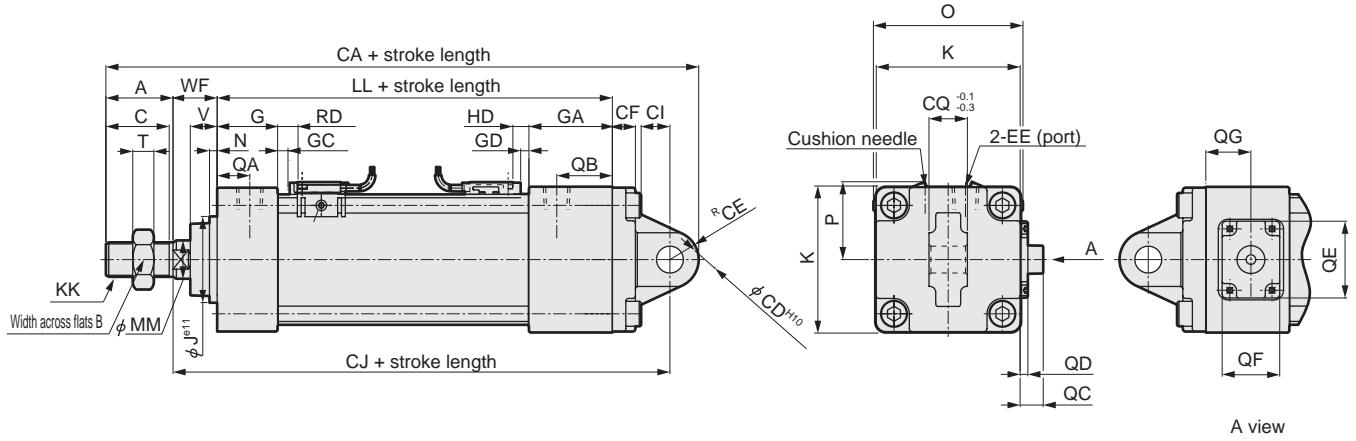
SCP*2
CMK2
CMA2
SCM
SCG
SCA2
SCS
CKV2
CA/OV2
SSD
CAT
MDC2
MVC
SMD2
MSD*
FC*
STK
ULK*
JSK/M2
JSG
JSC3
USSD
USC
JSB3
LMB
STG
STS/L
LCS
LCG
LCM
LCT
LCY
STR2
UCA2
HCM
HCA
SRL2
SRG
SRM
SRT
MRL2
MRG2
SM-25
CAC3
UCAC
RCC2
MFC
SHC
GLC
Ending

Tie rod cylinder
Standard type

Dimensions



- Eye bracket type (CA) with head end position locking



Note 1: RD and HD in the dimensions indicate the switch end positions, and GC and GD indicate the switch rail end positions.

Symbol	Basic dimensions for eye bracket type (CA) with head end position locking																				
	A	B	C	EE	F	G	GA	J	K	KK	LL	M	MM	O	QA	QB	QC	QD	QE	QF	QG
φ32	22	17	19.5	Rc1/8	6.5	27	35	30	46	M10 x 1.25	92	4	12	52	13	21	13	8	22	16	17.5
φ40	30	22	27	Rc1/4	9	27	40	35	52	M14 x 1.5	97	4	16	58	14	27	12	7	22	16	18.5
φ50	35	27	32	Rc1/4	10.5	31.5	43.5	40	65	M18 x 1.5	106	5	20	68	15.5	27.5	17	8.5	40	30	23.8
φ63	35	27	32	Rc3/8	12	31.5	43.5	45	75	M18 x 1.5	106	9	20	78	16.5	28.5	11.5	3.5	40	30	23.8
φ80	40	32	37	Rc3/8	14	38	56	45	95	M22 x 1.5	132	11.5	25	95	19	37	10	2	40	30	27.5
φ100	40	41	37	Rc1/2	15	38	56	55	114	M26 x 1.5	132	17	30	114	19	37	11	3	40	30	27.5

Symbol	Installation dimensions									With switch					
	T	V	WF	CA	CD	CE	CF	CI	CJ	CQ	GC	GD	RD	HD	P
φ32	6	13	25	172.5	10	10.5	9	13	140	14	1	1	5	5	25
φ40	8	13	21	182	10	11	9	13	141	14	1	1	5	5	29
φ50	11	14	23	209	14	15	12	17	159	20	2.5	1	6.5	5	34
φ63	11	14	23	209	14	15	12	17	159	20	2.5	1	6.5	5	40
φ80	13	20	32	269	22	23	15	26	206	30	8.5	2	12.5	6	-
φ100	16	20	32	269	22	23	15	26	206	30	8	2.5	12	6.5	-

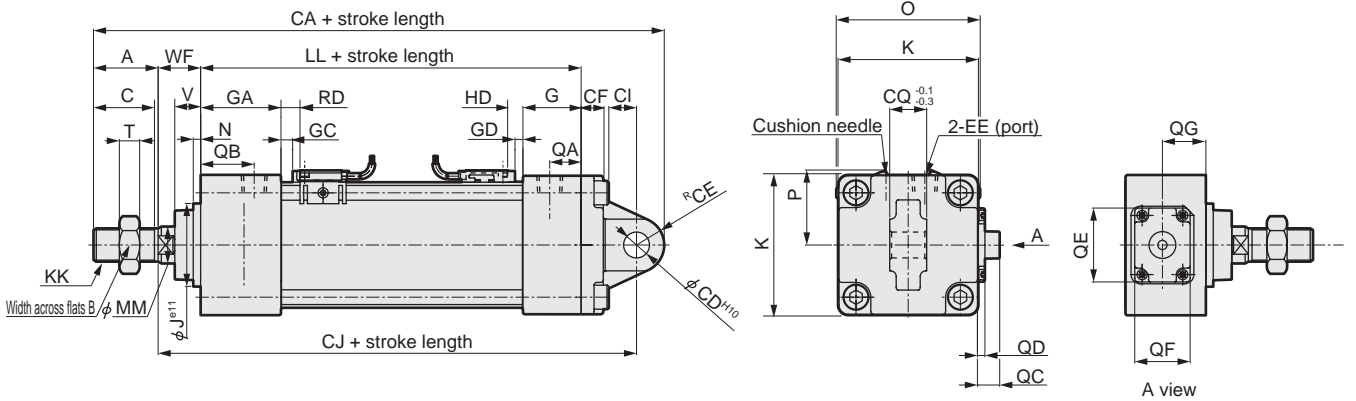
Note 2: Refer to page 426 for the HD, RD and projecting dimensions of 2-color indicators with preventive maintenance output.

Note 3: Refer to pages 428, 429 for accessory dimensions.

Dimensions



- Eye bracket type (CA) with rod end position locking



Note 1: RD and HD in the dimensions indicate the switch end positions, and GC and GD indicate the switch rail end positions.

Symbol	Basic dimensions for eye bracket type (CA) with rod end position locking																				
Bore size (mm)	A	B	C	EE	F	G	GA	J	K	KK	LL	M	MM	O	QA	QB	QC	QD	QE	QF	QG
φ32	22	17	19.5	Rc1/8	6.5	27	35	30	46	M10 x 1.25	92	4	12	52	13	21	13	8	22	16	17.5
φ40	30	22	27	Rc1/4	9	27	40	35	52	M14 x 1.5	97	4	16	58	14	27	12	7	22	16	18.5
φ50	35	27	32	Rc1/4	10.5	31.5	43.5	40	65	M18 x 1.5	106	5	20	68	15.5	27.5	17	8.5	40	30	23.8
φ63	35	27	32	Rc3/8	12	31.5	43.5	45	75	M18 x 1.5	106	9	20	78	16.5	28.5	11.5	3.5	40	30	23.8
φ80	40	32	37	Rc3/8	14	38	56	45	95	M22 x 1.5	132	11.5	25	95	19	37	10	2	40	30	27.5
φ100	40	41	37	Rc1/2	15	38	56	55	114	M26 x 1.5	132	17	30	114	19	37	11	3	40	30	31.5

Symbol	Installation dimensions										With switch				
Bore size (mm)	T	V	WF	CA	CD	CE	CF	CI	CJ	CQ	GC	GD	RD	HD	P
φ32	6	13	25	172.5	10	10.5	9	13	140	14	1	1	5	5	25
φ40	8	13	21	182	10	11	9	13	141	14	1	1	5	5	29
φ50	11	14	23	209	14	15	12	17	159	20	2.5	1	6.5	5	34
φ63	11	14	23	209	14	15	12	17	159	20	2.5	1	6.5	5	40
φ80	13	20	32	269	22	23	15	26	206	30	8.5	2	12.5	6	-
φ100	16	20	32	269	22	23	15	26	206	30	8	2.5	12	6.5	-

Note 2: Refer to page 426 for the HD, RD and projecting dimensions of 2-color indicators with preventive maintenance output.

Note 3: Refer to pages 428, 429 for accessory dimensions.

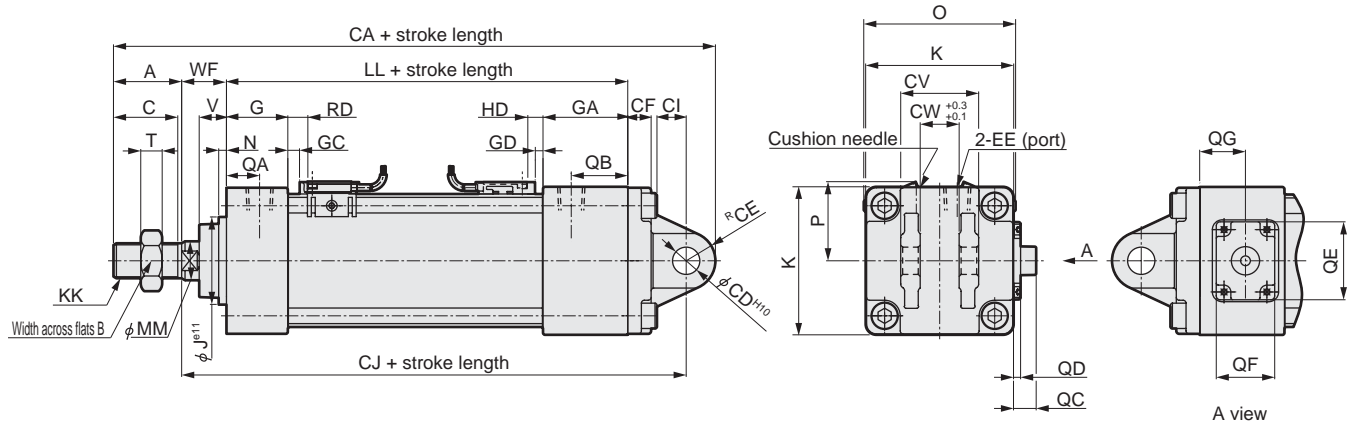
- SCP*2
- CMK2
- CMA2
- SCM
- SCG**
- SCA2
- SCS
- CKV2
- CA/OV2
- SSD
- CAT
- MDC2
- MVC
- SMD2
- MSD*
- FC*
- STK
- ULK*
- JSK/M2
- JSG
- JSC3
- USSD
- USC
- JSB3
- LMB
- STG
- STS/L
- LCS
- LCG
- LCM
- LCT
- LCY
- STR2
- UCA2
- HCM
- HCA
- SRL2
- SRG
- SRM
- SRT
- MRL2
- MRG2
- SM-25
- CAC3
- UCAC
- RCC2
- MFC
- SHC
- GLC
- Ending

Tie rod cylinder
Standard type

Dimensions



● Clevis bracket type (CB) with head end position locking



Note 1: Pin, split pin and plain washer are included.

Note 2: RD and HD in the dimensions indicate the switch end positions, and GC and DC indicate the switch rail end positions.

Symbol	Basic dimensions for clevis bracket type (CB) with head end position locking																				
	A	B	C	EE	F	G	GA	J	K	KK	LL	M	MM	O	QA	QB	QC	QD	QE	QF	QG
φ32	22	17	19.5	Rc1/8	6.5	27	35	30	46	M10 x 1.25	92	4	12	52	13	21	13	8	22	16	17.5
φ40	30	22	27	Rc1/4	9	27	40	35	52	M14 x 1.5	97	4	16	58	14	27	12	7	22	16	18.5
φ50	35	27	32	Rc1/4	10.5	31.5	43.5	40	65	M18 x 1.5	106	5	20	68	15.5	27.5	17	8.5	40	30	23.8
φ63	35	27	32	Rc3/8	12	31.5	43.5	45	75	M18 x 1.5	106	9	20	78	16.5	28.5	11.5	3.5	40	30	23.8
φ80	40	32	37	Rc3/8	14	38	56	45	95	M22 x 1.5	132	11.5	25	95	19	37	10	2	40	30	27.5
φ100	40	41	37	Rc1/2	15	38	56	55	114	M26 x 1.5	132	17	30	114	19	37	11	3	40	30	27.5

Symbol	Installation dimensions										With switch					
	T	V	WF	CA	CD	CE	CF	CI	CJ	CV	CW	GC	GD	RD	HD	P
φ32	6	13	25	172.5	10	10.5	9	13	140	28	14	1	1	5	5	25
φ40	8	13	21	182	10	11	9	13	141	28	14	1	1	5	5	29
φ50	11	14	23	209	14	15	12	17	159	40	20	2.5	1	6.5	5	34
φ63	11	14	23	209	14	15	12	17	159	40	20	2.5	1	6.5	5	40
φ80	13	20	32	269	22	23	15	26	206	60	30	8.5	2	12.5	6	-
φ100	16	20	32	269	22	23	15	26	206	60	30	8	2.5	12	6.5	-

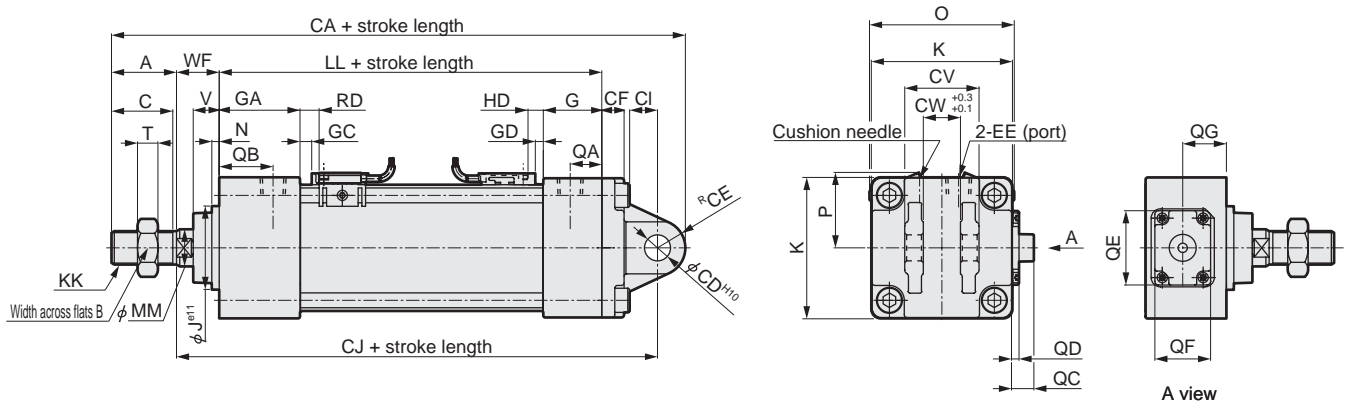
Note 3: Refer to page 426 for the HD, RD and projecting dimensions of 2-color indicators with preventive maintenance output.

Note 4: Refer to pages 428, 429 for accessory dimensions.

Dimensions



- Clevis bracket type (CB) with rod end position locking



Note 1: Pin, split pin and plain washer are included.

Note 2: RD and HD in the dimensions indicate the switch end positions, and GC and DC indicate the switch rail end positions.

Symbol	Basic dimensions for clevis bracket type (CB) with rod end position locking																				
Bore size (mm)	A	B	C	EE	F	G	GA	J	K	KK	LL	M	MM	O	QA	QB	QC	QD	QE	QF	QG
φ32	22	17	19.5	Rc1/8	6.5	27	35	30	46	M10 x 1.25	92	4	12	52	13	21	13	8	22	16	17.5
φ40	30	22	27	Rc1/4	9	27	40	35	52	M14 x 1.5	97	4	16	58	14	27	12	7	22	16	18.5
φ50	35	27	32	Rc1/4	10.5	31.5	43.5	40	65	M18 x 1.5	106	5	20	68	15.5	27.5	17	8.5	40	30	23.8
φ63	35	27	32	Rc3/8	12	31.5	43.5	45	75	M18 x 1.5	106	9	20	78	16.5	28.5	11.5	3.5	40	30	23.8
φ80	40	32	37	Rc3/8	14	38	56	45	95	M22 x 1.5	132	11.5	25	95	19	37	10	2	40	30	27.5
φ100	40	41	37	Rc1/2	15	38	56	55	114	M26 x 1.5	132	17	30	114	19	37	11	3	40	30	31.5

Symbol	Installation dimensions										With switch					
	T	V	WF	CA	CD	CE	CF	CI	CJ	CV	CW	GC	GD	RD	HD	P
φ32	6	13	25	172.5	10	10.5	9	13	140	28	14	1	1	5	5	25
φ40	8	13	21	182	10	11	9	13	141	28	14	1	1	5	5	29
φ50	11	14	23	209	14	15	12	17	159	40	20	2.5	1	6.5	5	34
φ63	11	14	23	209	14	15	12	17	159	40	20	2.5	1	6.5	5	40
φ80	13	20	32	269	22	23	15	26	206	60	30	8.5	2	12.5	6	-
φ100	16	20	32	269	22	23	15	26	206	60	30	8	2.5	12	6.5	-

Note 3: Refer to page 426 for the HD, RD and projecting dimensions of 2-color indicators with preventive maintenance output.

Note 4: Refer to pages 428, 429 for accessory dimensions.

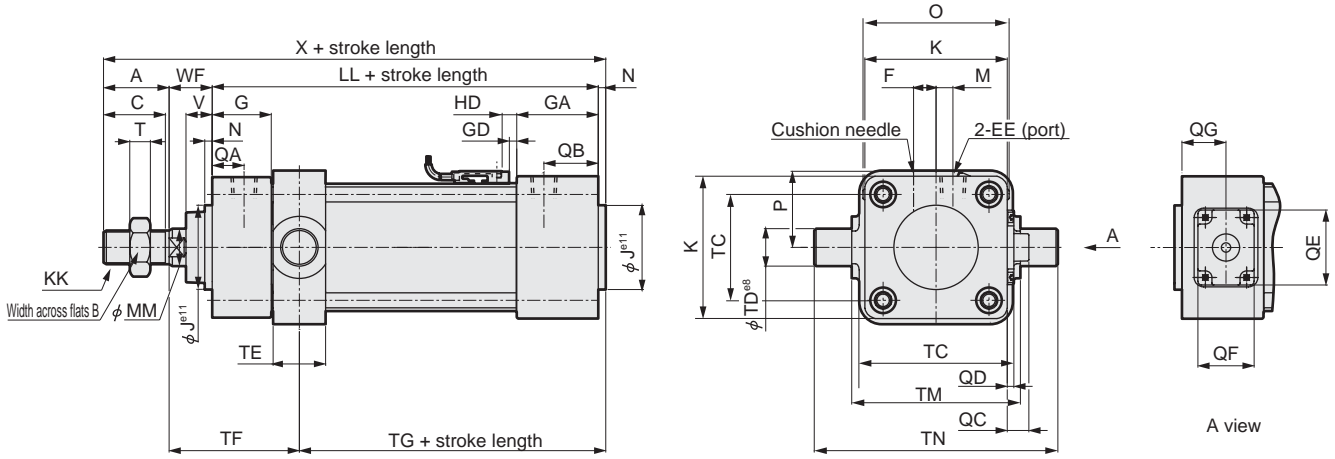
SCP*2
CMK2
CMA2
SCM
SCG
SCA2
SCS
CKV2
CA/OV2
SSD
CAT
MDC2
MVC
SMD2
MSD*
FC*
STK
ULK*
JSK/M2
JSG
JSC3
USSD
USC
JSB3
LMB
STG
STS/L
LCS
LCG
LCM
LCT
LCY
STR2
UCA2
HCM
HCA
SRL2
SRG
SRM
SRT
MRL2
MRG2
SM-25
CAC3
UCAC
RCC2
MFC
SHC
GLC
Ending

Tie rod cylinder
Standard type

Dimensions



- Rod end trunnion type (TA) with head end position locking



Note 1: Switches can not be installed on the rod end.

Note 2: HD in the dimensions indicate the switch end positions, and GD indicate the switch rail end positions.

Symbol	Basic dimensions for rod end trunnion type (TA) with head end position locking																				
	A	B	C	EE	F	G	GA	J	K	KK	LL	M	MM	N	O	QA	QB	QC	QD	QE	
Bores size (mm)																					
φ32	22	17	19.5	Rc1/8	6.5	27	35	30	46	M10 x 1.25	92	4	12	4	52	13	21	13	8	22	
φ40	30	22	27	Rc1/4	9	27	40	35	52	M14 x 1.5	97	4	16	4	58	14	27	12	7	22	
φ50	35	27	32	Rc1/4	10.5	31.5	43.5	40	65	M18 x 1.5	106	5	20	4	68	15.5	27.5	17	8.5	40	
φ63	35	27	32	Rc3/8	12	31.5	43.5	45	75	M18 x 1.5	106	9	20	4	78	16.5	28.5	11.5	3.5	40	
φ80	40	32	37	Rc3/8	14	38	56	45	95	M22 x 1.5	132	11.5	25	4	95	19	38	10	2	40	
φ100	40	41	37	Rc1/2	15	38	56	55	114	M26 x 1.5	132	17	30	4	114	19	37	11	3	40	

Symbol	Installation dimensions												With switch			
	QF	QG	T	V	WF	X	TC	TD	TE	TF	TG	TM	TN	GD	HD	P
Bores size (mm)																
φ32	16	17.5	6	13	25	143	47	12	17	61.5	59.5	50	74	1	5	25
φ40	16	18.5	8	13	21	152	57	16	22	60	62	63	95	1	5	29
φ50	30	23.8	11	14	23	168	67	16	22	66.5	66.5	75	107	1	5	34
φ63	30	23.8	11	14	23	168	82	20	28	69.5	63.5	90	130	1	5	40
φ80	30	27.5	13	20	32	208	100	20	34	88	80	110	150	2	6	-
φ100	30	27.5	16	20	32	208	121	25	40	91	77	132	182	2.5	6.5	-

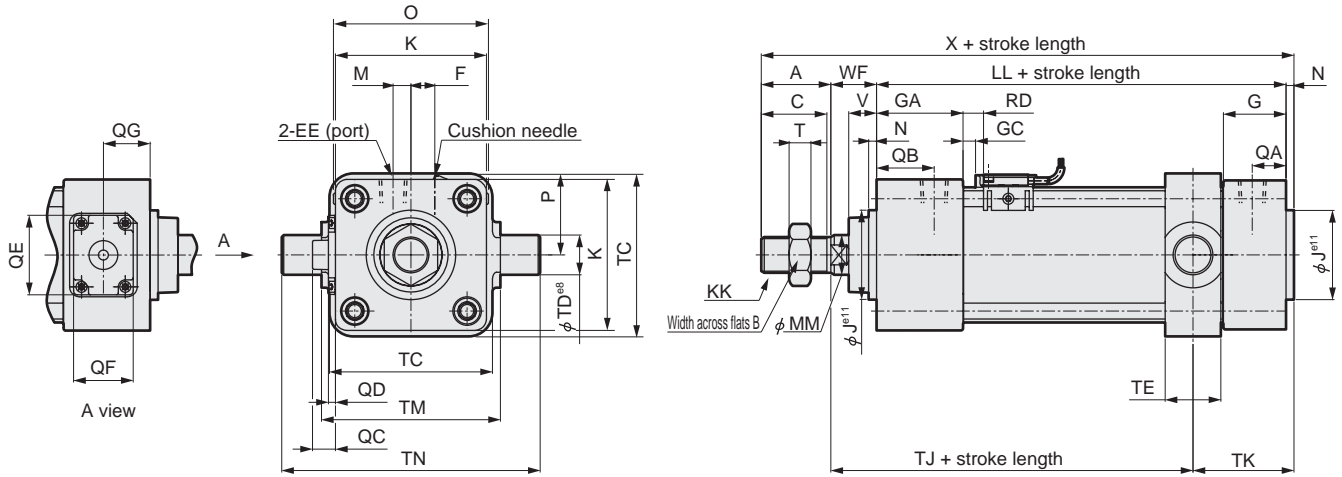
Note 3: Refer to page 426 for the HD, RD and projecting dimensions of 2-color indicators with preventive maintenance output.

Note 4: Refer to pages 428, 429 for accessory dimensions.

Dimensions



- Head end trunnion type (TB) with rod end position locking



Note 1: Switches can not be installed on the head end.

Note 2: RD in the dimensions indicate the switch end positions, and GC indicate the switch rail end positions.

Symbol	Basic dimensions for head end trunnion type (TB) with rod end position locking																			
	A	B	C	EE	F	G	GA	J	K	KK	LL	M	MM	N	O	QA	QB	QC	QD	QE
φ32	22	17	19.5	Rc1/8	6.5	27	35	30	46	M10 x 1.25	92	4	12	4	52	13	21	13	8	22
φ40	30	22	27	Rc1/4	9	27	40	35	52	M14 x 1.5	97	4	16	4	58	14	27	12	7	22
φ50	35	27	32	Rc1/4	10.5	31.5	43.5	40	65	M18 x 1.5	106	5	20	4	68	15.5	27.5	17	8.5	40
φ63	35	27	32	Rc3/8	12	31.5	43.5	45	75	M18 x 1.5	106	9	20	4	78	16.5	28.5	11.5	3.5	40
φ80	40	32	37	Rc3/8	14	38	56	45	95	M22 x 1.5	132	11.5	25	4	95	19	37	10	2	40
φ100	40	41	37	Rc1/2	15	38	56	55	114	M26 x 1.5	132	17	30	4	114	19	37	11	3	40

Symbol	Installation dimensions												With switch			
	QF	QG	T	V	WF	X	TC	TD	TE	TJ	TK	TM	TN	GC	RD	P
φ32	16	17.5	6	13	25	143	47	12	17	80.5	40.5	50	74	1	5	25
φ40	16	18.5	8	13	21	152	57	16	22	79	43	63	95	1	5	29
φ50	30	23.8	11	14	23	168	67	16	22	85.5	47.5	75	107	2.5	6.5	34
φ63	30	23.8	11	14	23	168	82	20	28	82.5	50.5	90	130	2.5	6.5	40
φ80	30	27.5	13	20	32	208	100	20	34	108	60	110	150	8.5	12.5	-
φ100	30	27.5	16	20	32	208	121	25	40	105	63	132	182	8	12	-

Note 3: Refer to page 426 for the HD, RD and projecting dimensions of 2-color indicators with preventive maintenance output.

Note 4: Refer to pages 428, 429 for accessory dimensions.

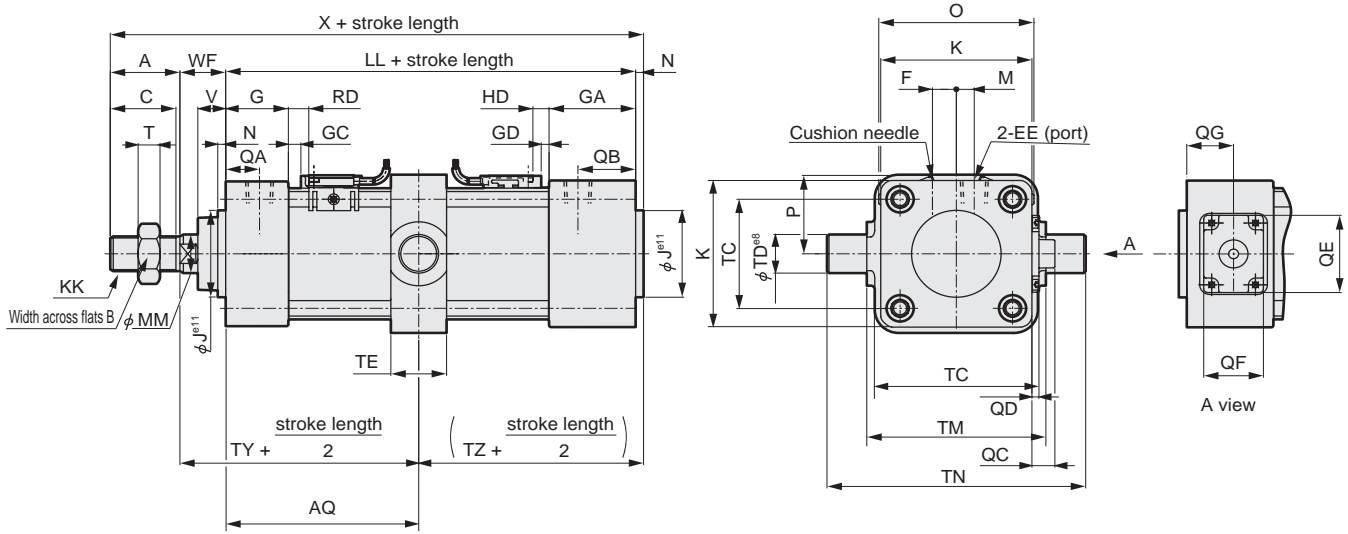
- SCP*2
- CMK2
- CMA2
- SCM
- SCG**
- SCA2
- SCS
- CKV2
- CA/OV2
- SSD
- CAT
- MDC2
- MVC
- SMD2
- MSD*
- FC*
- STK
- ULK*
- JSK/M2
- JSG
- JSC3
- USSD
- USC
- JSB3
- LMB
- STG
- STS/L
- LCS
- LCG
- LCM
- LCT
- LCY
- STR2
- UCA2
- HCM
- HCA
- SRL2
- SRG
- SRM
- SRT
- MRL2
- MRG2
- SM-25
- CAC3
- UCAC
- RCC2
- MFC
- SHC
- GLC
- Ending

Tie rod cylinder
Standard type

Dimensions



● Center trunnion type (TC) with head end position locking



Note 1: RD and HD in the dimensions indicate the switch end positions, and GC and GD indicate the switch rail end positions.

Symbol	Basic dimensions for center trunnion type (TC) with head end position locking																			
	A	B	C	EE	F	G	GA	J	K	KK	LL	M	MM	N	O	QA	QB	QC	QD	QE
φ32	22	17	19.5	Rc1/8	6.5	27	35	30	46	M10 x 1.25	92	4	12	4	52	13	21	13	8	22
φ40	30	22	27	Rc1/4	9	27	40	35	52	M14 x 1.5	97	4	16	4	58	14	27	12	7	22
φ50	35	27	32	Rc1/4	10.5	31.5	43.5	40	65	M18 x 1.5	106	5	20	4	68	15.5	27.5	17	8.5	40
φ63	35	27	32	Rc3/8	12	31.5	43.5	45	75	M18 x 1.5	106	9	20	4	78	16.5	28.5	11.5	3.5	40
φ80	40	32	37	Rc3/8	14	38	56	45	95	M22 x 1.5	132	11.5	25	4	95	19	37	10	2	40
φ100	40	41	37	Rc1/2	15	38	56	55	114	M26 x 1.5	132	17	30	4	114	19	37	11	3	40

Symbol	Installation dimensions													With switch					
	QF	QG	T	V	WF	X	AQ	TC	TD	TE	TM	TN	TY	TZ	GC	GD	RD	HD	P
φ32	16	17.5	6	13	25	143	42 ⁺	47	12	17	50	74	67	54	1	1	5	5	25
φ40	16	18.5	8	13	21	152	42 ⁺	57	16	22	63	95	63	59	1	1	5	5	29
φ50	30	23.8	11	14	23	168	47 ⁺	67	16	22	75	107	70	63	2.5	1	6.5	5	34
φ63	30	23.8	11	14	23	168	47 ⁺	82	20	28	90	130	70	63	2.5	1	6.5	5	40
φ80	30	27.5	13	20	32	208	57 ⁺	100	20	34	110	150	89	79	8.5	2	12.5	6	-
φ100	30	27.5	16	20	32	208	57 ⁺	121	25	40	132	182	89	79	8	2.5	12	6.5	-

Note 2: Refer to page 426 for the HD, RD and projecting dimensions of 2-color indicators with preventive maintenance output.

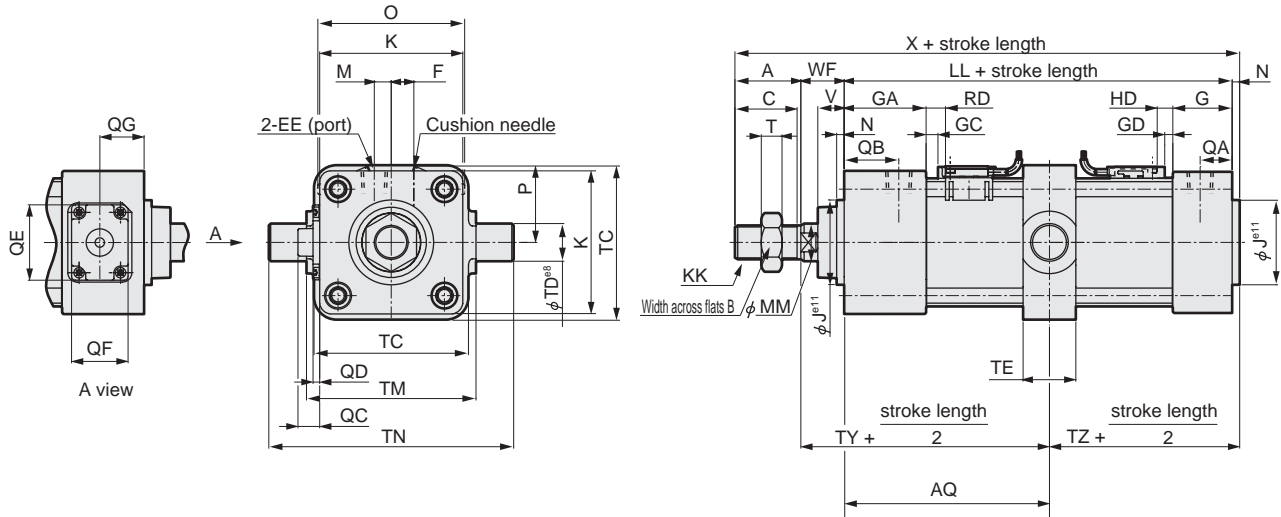
Note 3: Refer to pages 428, 429 for accessory dimensions.

*: $\frac{\text{Stroke length}}{2}$

Dimensions



- Center trunnion type (TC) with rod end position locking



Note 1: RD and HD in the dimensions indicate the switch end positions, and GC and GD indicate the switch rail end positions.

Symbol	Basic dimensions for center trunnion type (TC) with rod end position locking																			
	A	B	C	EE	F	G	GA	J	K	KK	LL	M	MM	N	O	QA	QB	QC	QD	QE
φ32	22	17	19.5	Rc1/8	6.5	27	35	30	46	M10 x 1.25	92	4	12	4	52	13	21	13	8	22
φ40	30	22	27	Rc1/4	9	27	40	35	52	M14 x 1.5	97	4	16	4	58	14	27	12	7	22
φ50	35	27	32	Rc1/4	10.5	31.5	43.5	40	65	M18 x 1.5	106	5	20	4	68	15.5	27.5	17	8.5	40
φ63	35	27	32	Rc3/8	12	31.5	43.5	45	75	M18 x 1.5	106	9	20	4	78	16.5	28.5	11.5	3.5	40
φ80	40	32	37	Rc3/8	14	38	56	45	95	M22 x 1.5	132	11.5	25	4	95	19	37	10	2	40
φ100	40	41	37	Rc1/2	15	38	56	55	114	M26 x 1.5	132	17	30	4	114	19	37	11	3	40

Symbol	Installation dimensions											With switch							
	QF	QG	T	V	WF	X	AQ	TC	TD	TE	TM	TN	TY	TZ	GC	GD	RD	HD	P
φ32	16	17.5	6	13	25	143	50 ⁺ *	47	12	17	50	74	75	46	1	1	5	5	25
φ40	16	18.5	8	13	21	152	55 ⁺ *	57	16	22	63	95	76	46	1	1	5	5	29
φ50	30	23.8	11	14	23	168	59 ⁺ *	67	16	22	75	107	82	51	2.5	1	6.5	5	34
φ63	30	23.8	11	14	23	168	59 ⁺ *	82	20	28	90	130	82	51	2.5	1	6.5	5	40
φ80	30	27.5	13	20	32	208	75 ⁺ *	100	20	34	110	150	107	61	8.5	2	12.5	6	-
φ100	30	31.5	16	20	32	208	75 ⁺ *	121	25	40	132	182	107	61	8	2.5	12	6.5	-

Note 2: Refer to page 426 for the HD, RD and projecting dimensions of 2-color indicators with preventive maintenance output.

Note 3: Refer to pages 428, 429 for accessory dimensions.

* : $\frac{\text{Stroke length}}{2}$

- SCP*2
- CMK2
- CMA2
- SCM
- SCG**
- SCA2
- SCS
- CKV2
- CA/OV2
- SSD
- CAT
- MDC2
- MVC
- SMD2
- MSD*
- FC*
- STK
- ULK*
- JSK/M2
- JSG
- JSC3
- USSD
- USC
- JSB3
- LMB
- STG
- STS/L
- LCS
- LCG
- LCM
- LCT
- LCY
- STR2
- UCA2
- HCM
- HCA
- SRL2
- SRG
- SRM
- SRT
- MRL2
- MRG2
- SM-25
- CAC3
- UCAC
- RCC2
- MFC
- SHC
- GLC
- Ending

Tie rod cylinder
Standard type