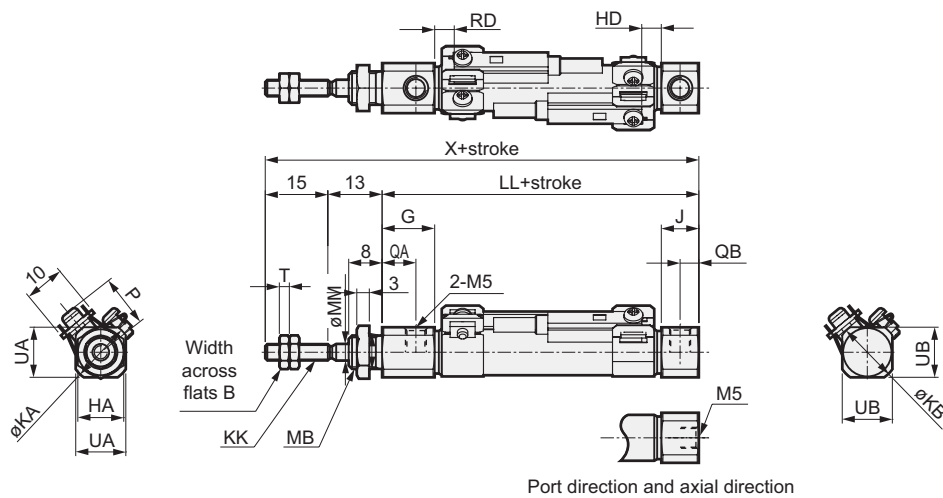


Dimensions

● SCPD3-(L) Basic type (00)



Note 1: The dimensions without switch are same as the ones with switch. (The magnet is not integrated.)

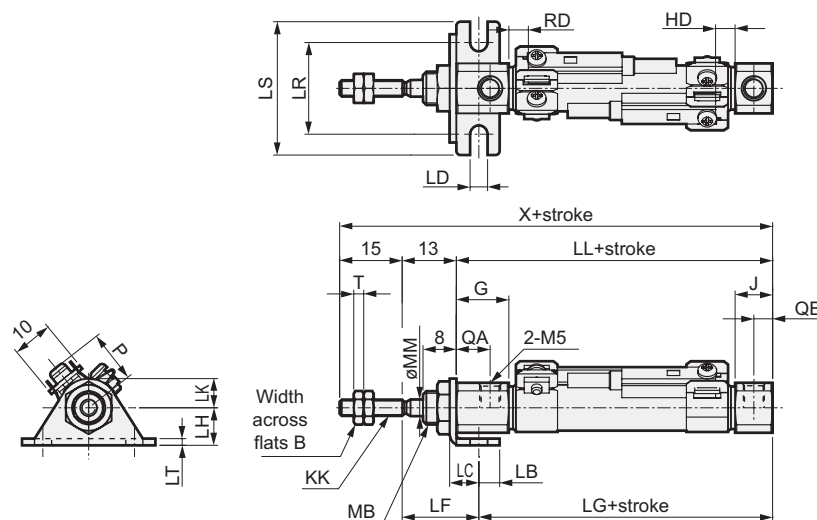
Note 2: The $\phi 6$ and $\phi 10$ port thread depth is 3.8 mm. When using a fitting, prepare a fitting with a thread length of 3.8 mm or less.

Note 3: Refer to page 51 for accessory dimensions.

Note 4: Value in () parentheses represents the port direction axial type.

Symbol Bore size (mm)	Basic type (00) basic dimensions															With switch						
	B	G	HA	J	KA	KB	KK	LL	MB	MM	QA	QB	T	UA	UB	X	T0,T5,T2,T3			T2W,T3W		P
																	RD	HD	RD	HD		
$\phi 6$	5.5	17	8	8	13.5	13.5 (10)	M3	47	M6	3	13	4	1.8	11	11 (9)	75	2	2	4	3.5	5.5	
$\phi 10$	7	12.5	11	9	14.5	14.5	M4	46	M8×1.0	4	8	4.5	2.4	12	12	74	3.5	2.5	5.5	4	12.5	
$\phi 16$	8	13	14	9	21.5	21.5	M5	46	M10×1.0	5	8.5	4.5	3.2	18	18	74	3.5	2	5	3.5	15.5	

● One side axial foot (LS)



Note 1: The dimensions without switch are same as the ones with switch. (The magnet is not integrated.)

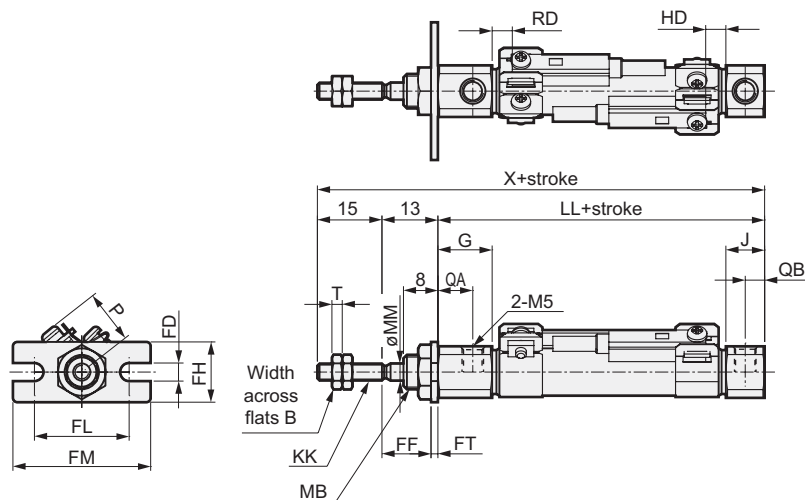
Note 2: The $\phi 6$ and $\phi 10$ port thread depth is 3.8 mm. When using a fitting, prepare a fitting with a thread length of 3.8 mm or less.

Note 3: Refer to page 51 for accessory dimensions.

Symbol Bore size (mm)	Basic type (00) basic dimensions															Mounting dimensions										With switch				
	B	G	J	KK	MB	MM	QA	QB	T	X	LB	LC	LD	LF	LL	LH	LK	LR	LS	LT	T0,T5,T2,T3			T2W,T3W		P				
																					RD	HD	RD	HD						
$\phi 6$	5.5	17	8	M3	M6	3	13	4	1.8	75	5	7	4.2	18.4	47	9	7	22	32	1.6	2	2	4	3.5	5.5					
$\phi 10$	7	12.5	9	M4	M8×1.0	4	8	4.5	2.4	74	5	7	4.2	18.4	46	9	7	22	32	1.6	3.5	2.5	5.5	4	12.5					
$\phi 16$	8	13	9	M5	M10×1.0	5	8.5	4.5	3.2	74	6	9	5.2	19.7	46	14	10	29	42	2.3	3.5	2	5	3.5	15.5					

Dimensions

● Rod end flange type (FA)



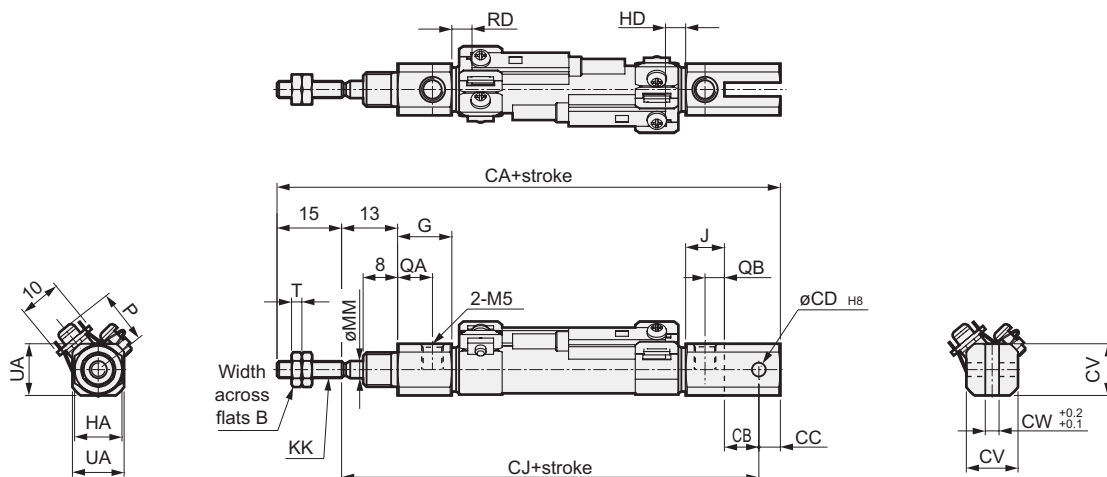
Note 1: The dimensions without switch are same as the ones with switch. (The magnet is not integrated.)

Note 2: The $\phi 6$ and $\phi 10$ port thread depth is 3.8 mm. When using a fitting, prepare a fitting with a thread length of 3.8 mm or less.

Note 3: Refer to page 51 for accessory dimensions.

Symbol Bore size (mm)	Rod end flange (FA) standard dimensions																Mounting dimensions						With switch				
	B	G	J	KK	LL	MB	MM	QA	QB	T	X	FD	FF	FH	FL	FM	FT	T0,T5,T2,T3		T2W,T3W		P					
																		RD	HD	RD	HD						
$\phi 6$	5.5	17	8	M3	47	M6	3	13	4	1.8	75	4.2	11.4	14	22	32	1.6	2	2	4	3.5	5.5					
$\phi 10$	7	12.5	9	M4	46	M8 \times 1.0	4	8	4.5	2.4	74	4.2	11.4	14	22	32	1.6	3.5	2.5	5.5	4	12.5					
$\phi 16$	8	13	9	M5	46	M10 \times 1.0	5	8.5	4.5	3.2	74	5.2	10.7	20	29	42	2.3	3.5	2	5	3.5	15.5					

● Clevis bracket type (CB)



Note 1: The dimensions without switch are same as the ones with switch. (The magnet is not integrated.)

Note 2: The $\phi 6$ and $\phi 10$ port thread depth is 3.8 mm. When using a fitting, prepare a fitting with a thread length of 3.8 mm or less.

Note 3: Pin and fastener are attached.

Note 4: Refer to page 51 for accessory dimensions.

Symbol Bore size (mm)	Basic type (00) basic dimensions										Mounting dimensions						With switch				
	B	G	J	KK	MM	QA	QB	T	UA	CA	CB	CC	CD	CJ	CV	CW	T0,T5,T2,T3		T2W,T3W		P
																	RD	HD	RD	HD	
$\phi 10$	7	12.5	9	M4	4	8	4.5	2.4	12	87	8	5	3.2	67	12	3.2	3.5	2.5	5.5	4	12.5
$\phi 16$	8	13	9	M5	5	8.5	4.5	3.2	18	94	10	10	5	69	18	6.5	3.5	2	5	3.5	15.5