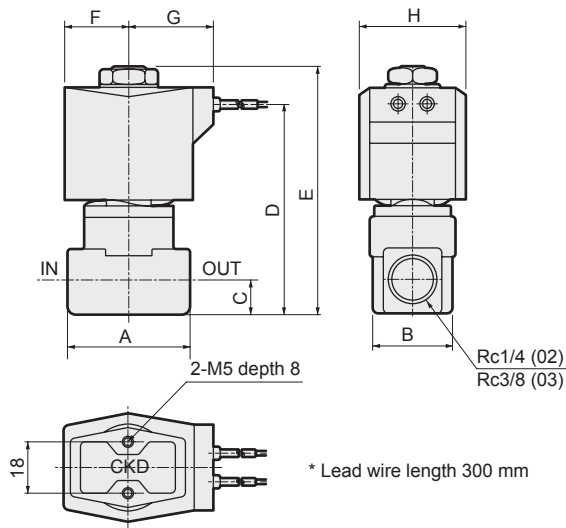


AB31/41/42 Series



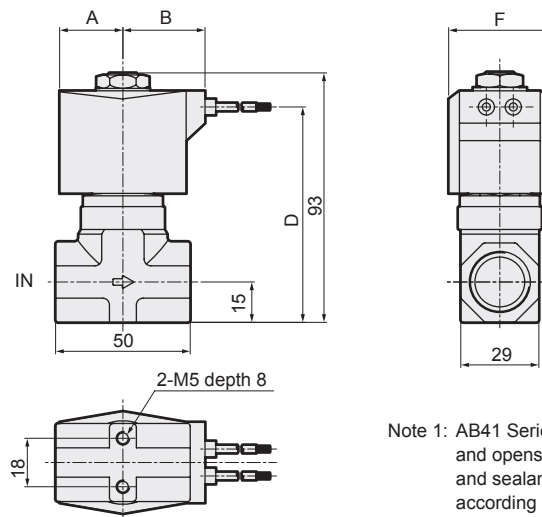
Dimensions: AB41 Series

- Grommet lead wire type
AB41-02/03-1 to 7-* Blank / 6C



Model no.	A	B	C	D	E	F	G	H
AB41-02-1 to 6-AC	36	28	11	68	80.5	23.5	30.5	38
AB41-02-7-AC -03-1 to 7-AC	40	28	12	71	83.5	23.5	30.5	38
AB41-02-1 to 6-6C-DC	36	28	11	68	80.5	24	30.5	39
AB41-02-7-6C-DC -03-1 to 7-6C-DC	40	28	12	71	83.5	24	30.5	39

- Grommet lead wire type
AB41-03/04-8-* Blank / 6C



Model no.	A	B	D	F
AB41-03-8-AC -04-8-AC	23.5	30.5	80	38
AB41-03-8-6C-DC -04-8-6C-DC	24	30.5	80	39

Note 1: AB41 Series is 2 port solenoid valve and opens when energized. The body and sealant materials are combined according to the working fluid, and the orifice and pressure are selected according to the relation of the required flow rate and pressure. The coil specifications are determined according to the fluid temperature and ambient conditions, allowing the optimum valve to be selected.

Note 2: The dimensions are same for port sizes of G and NPT threads.

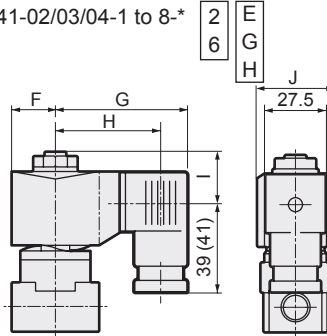
Optional dimensions: AB41 Series



(Refer to the grommet lead wire type dimensions on the left page for common dimensions.)

● DIN terminal box

AB41-02/03/04-1 to 8-*

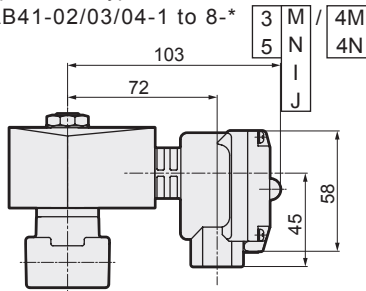


Dimensions shown in () are for G1/2.

Voltage	F	G	H	I	J
AC (2E/2G/2H)	23.5	65.5	54 (53.5)	22	38
DC (2E/2G/2H)	23.5	66	54.5 (54)	22	38
DC (6E/6G/6H)	24	68	56.5 (56)	22	39

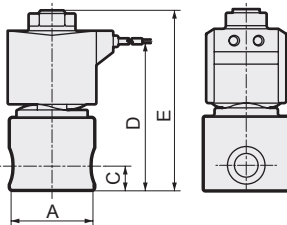
● Open frame type + HP terminal box

AB41-02/03/04-1 to 8-*



● Stainless steel body + grommet lead wire type

AB41-02/03/04-1 to 8-D/F/R/W/L/M/N/E

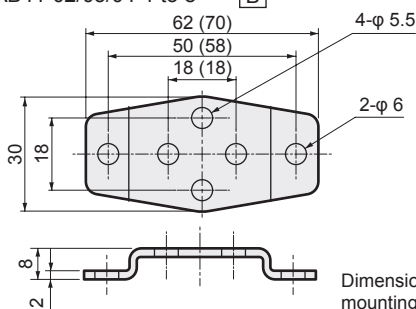


Model no.	A	C	D	E
AB41-02-1 to 6-AC	φ 37.5	11	68	80.5
AB41-02-7-AC -03-1 to 7-AC	φ 45.0	12	71	83.5
AB41-03-8-AC -04-8-AC	50 ^{*1}	15	80	93

*1: The max. dimension is φ 54.

● Mounting plate

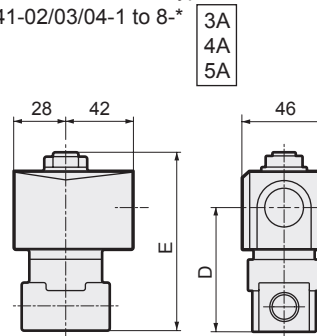
AB41-02/03/04-1 to 8-*** B



Dimensions shown in () are for mounting plate No. 2.

● Open frame lead wire type

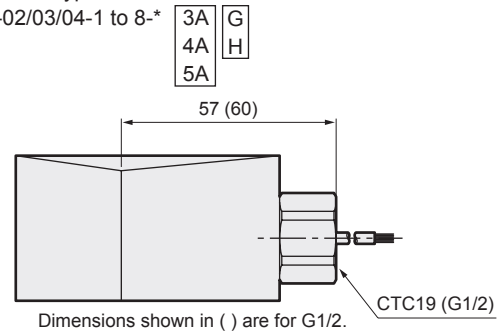
AB41-02/03/04-1 to 8-*



Model no.	D	E
AB41-02-1 to 6-***A	52.0	80.5
AB41-02-7-***A -03-1 to 7-***A	55.0	83.5
AB41-03/04-8-***A	64	93

● Open frame type + conduit

AB41-02/03/04-1 to 8-*

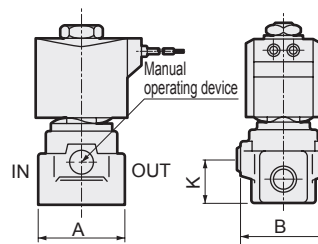


Dimensions shown in () are for G1/2.

● Manual operating device (locking)

AB41-02/03-1 to 7-*** A

The figure shows brass body.



Note: The manual operating device is not supplied with AB41-03/04-8.

Model no.	A	B	K
AB41-02-1 to 6-***A	36 (φ 37.5)	38	19.5
AB41-02-7-***A -03-1 to 7-***A	40 (φ 45.0)	40	22.5

Dimensions shown in () are for stainless steel body.

Model no.	Applicable model
Mounting plate No.1 GE-100106	<ul style="list-style-type: none"> ● AB41-02/03-1 to 7 Series ● Stainless steel body <u>AB41-02-1 to 6-<u>D/E/F/L/M/N/R/W</u></u>
Mounting plate No.2 GE-100159	<ul style="list-style-type: none"> ● AB41-03/04-8 Series ● Stainless steel body <u>AB41-02-7-<u>D/E/F/L/M/N/R/W</u></u> <u>AB41-03-1 to 7-<u>D/E/F/L/M/N/R/W</u></u>

EXA

FWD

HNB/G

USB/G

FAB/G

FGB/G

FVB

FWB/G

FHB

FLB

AB

AG

AP/
AD

APK/
ADK

For
dry air

Explosion
proof

HVB/
HVL

S^ΔB/
NAB

LAD/
NAD

Related
components
for water

NP/NAP/
NVP

CHB/G

MXB/G

Others
Valve

Dust
collecting

CVE/
CVSE

CCH,
CPE/D

Medical
analysis

Gas
combustion

Automatic
watering

Custom order
product

Ending