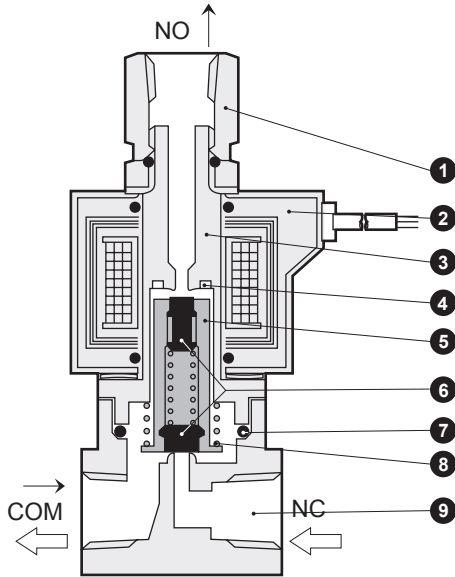


AG33/43 Series

- EXA
- FWD
- HNB/G
- USB/G
- FAB/G
- FGB/G
- FVB
- FWB/G
- FHB
- FLB
- AB
- AG**
- AP/AD
- APK/ADK
- For dry air
- Explosion proof
- HVB/HVL
- SAB/NAB
- LAD/NAD
- Related components for water
- NP/NAP/NVP
- CHB/G
- MXB/G
- Others Valve
- Dust collecting
- CVE/CVSE
- CCH/CPE/D
- Medical analysis
- Gas combustion
- Automatic watering
- Custom order product
- Ending

Internal structure and parts list

● AG33/43 Series



No.	Parts name	Material
1	Socket	C3604 (SUS303) Brass (stainless steel)
2	Coil	—
3	Core assembly	SUS405 equiv./316L/403*1 Stainless steel
4	Shading coil	Cu (Ag for stainless steel body) Copper (silver for stainless steel body)
5	Plunger	SUS405 equiv. Stainless steel
6	Sealant	NBR (FKM/EPDM/PTFE) NBR: nitrile rubber FKM: fluoro rubber
7	O-ring	NBR (FKM/EPDM/PTFE) (size: ASS68-019) EPDM: ethylene propylene rubber PTFE: tetrafluoroethylene resin
8	Plunger spring	SUS304 Stainless steel
9	Body	C3771 (SUS303) Brass (stainless steel)

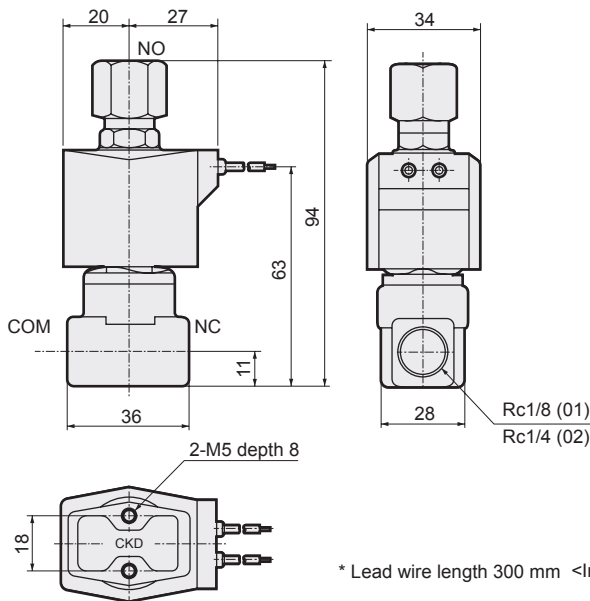
*1: When the body/sealant combination symbol is other than blank and H, the material is SUS405 or equivalent, 316L, 430.

*2: () shows options.

Dimensions: AG33 Series



● Grommet lead wire type
AG33-01/02-1 to 2



* Lead wire length 300 mm <Information> As the JIS symbol flow shows, this is dedicated for NC port pressurization. Pressurization from other ports is not possible.
When not energized: COM → NO
When energized: NC → COM

Note 1: The dimensions are same for port sizes of G and NPT threads.

Optional dimensions: AG33 Series

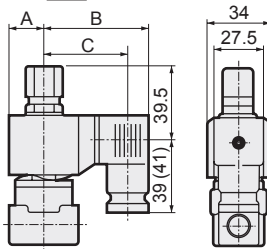


* Refer to the grommet lead wire type dimensions on the left page for common dimensions.

● DIN terminal box

AG33-01/02-1 to 2-*

2E
2G
2H



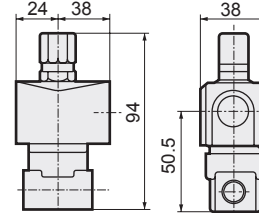
Dimensions shown in () are for G1/2.

Voltage	A	B	C
AC	20	62	50.5 (50)
DC	21	63.5	52 (51.5)

● Open frame lead wire type

AG33-01/02-1 to 2-*

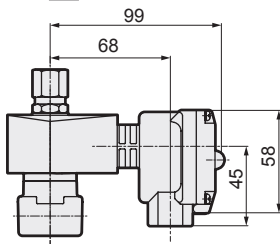
3A
4A
5A



● Open frame type + HP terminal box

AG33-01/02-1 to 2-*

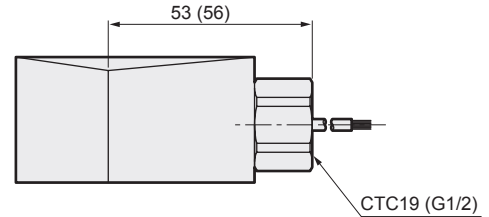
3 M	4M
5 N	4N
J	



● Open frame type + conduit

AG33-01/02-1 to 2-*

3A	G
4A	H
5A	

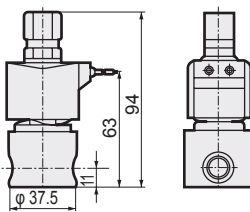


Dimensions shown in () are for G1/2.

● Stainless steel body + grommet lead wire type

AG33-01/02-1 to 2-

D/E/F/R/L/M/N

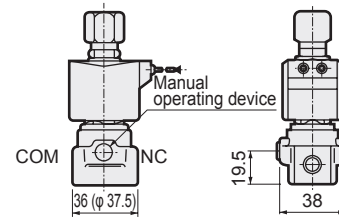


● Manual operating device (locking)

AG33-01/02-1 to 2-***

A

The figure shows brass body.

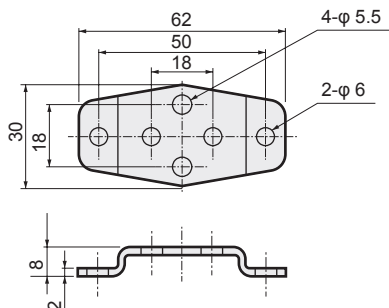


Dimensions shown in () are for stainless steel body.

● Mounting plate

AG33-01/02-1 to 2-***

B



Mounting plate NO.1 GE-100106

EXA

FWD

HNB/G

USB/G

FAB/G

FGB/G

FVB

FWB/G

FHB

FLB

AB

AG

AP/
AD

APK/
ADK

For
dry air

Explosion
proof

HVB/
HVL

S^ΔB/
NAB

LAD/
NAD

Related
components
for water

NP/NAP/
NVP

CHB/G

MXB/G

Others
Valve

Dust
collecting

CVE/
CVSE

CCH,
CPE/D

Medical
analysis

Gas
combustion

Automatic
watering

Custom order
product

Ending