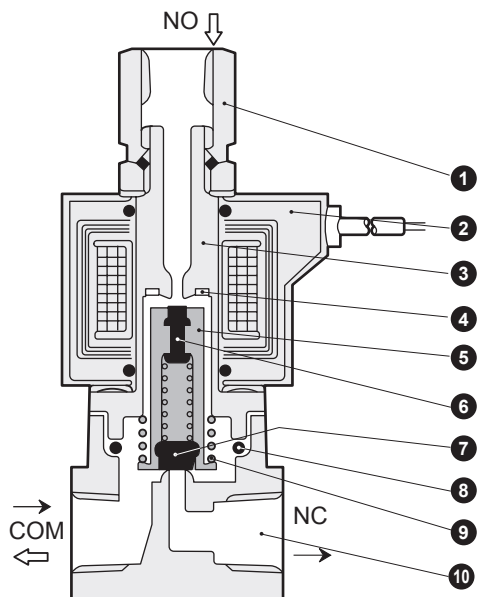


AG34/44 Series

- EXA
- FWD
- HNB/G
- USB/G
- FAB/G
- FGB/G
- FVB
- FWB/G
- FHB
- FLB
- AB
- AG**
- AP/AD
- APK/ADK
- For dry air
- Explosion proof
- HVB/HVL
- S^ΔB/NAB
- LAD/NAD
- Related components for water
- NP/NAP/NVP
- CHB/G
- MXB/G
- Others Valve
- Dust collecting
- CVE/CVSE
- CCH, CPE/D
- Medical analysis
- Gas combustion
- Automatic watering
- Custom order product
- Ending

Internal structure and parts list

● AG34/AG44 Series



No.	Parts name	Material
1	Socket	C3604 (SUS303) / Brass (stainless steel)
2	Coil	—
3	Core assembly	SUS405 equiv./316L/403*1 / Stainless steel
4	Shading coil	Cu (Ag for stainless steel body) / Copper (silver for stainless steel body)
5	Plunger	SUS405 equiv. / Stainless steel
6	NO valve sealant	FKM (FKM/EPDM)
7	NC valve sealant	NBR (FKM/EPDM)
8	O-ring	NBR (FKM/EPDM) (size: AS568-019)
9	Plunger spring	SUS304 / Stainless steel
10	Body	C3771 (SUS303) / Brass (stainless steel)

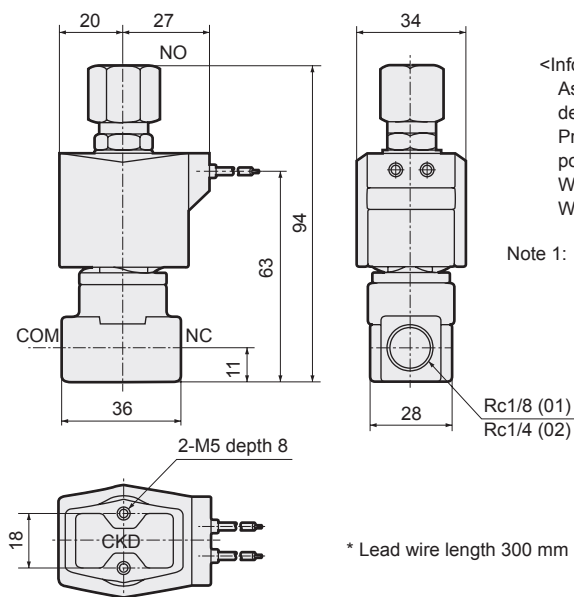
*1: When the body/sealant combination symbol is other than blank and H, the material is SUS405 or equivalent, 316L, 430.

*2: () shows options.

Dimensions: AG34 Series



● Grommet lead wire type
AG34-01/02-1 to 2



<Information>

As the JIS symbol flow shows, this is dedicated for NO port pressurization. Pressurization from other ports is not possible.

When not energized: NO → COM
When energized : COM → NC

Note 1: The dimensions are same for port sizes of G and NPT threads.

* Lead wire length 300 mm

Optional dimensions: AG34 Series

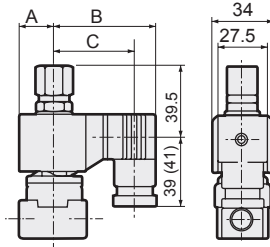


* Refer to the grommet lead wire type dimensions on the left page for common dimensions.

● DIN terminal box

AG34-01/02-1 to 2-*

2E
2G
2H



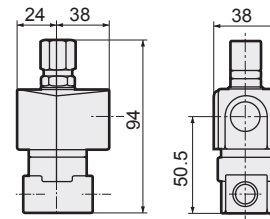
Dimensions shown in () are for G1/2.

Voltage	A	B	C
AC	20	62	50.5 (50)
DC	21	63.5	52 (51.5)

● Open frame lead wire type

AG34-01/02-1 to 2-*

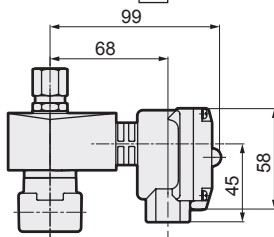
3A
4A
5A



● Open frame type + HP terminal box

AG34-01/02-1 to 2-*

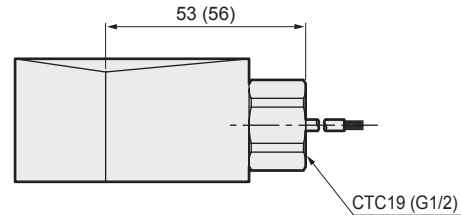
3	M	4M
5	N	4N
	I	
	J	



● Open frame type + conduit

AG34-01/02-1 to 2-*

3A	G
4A	H
5A	

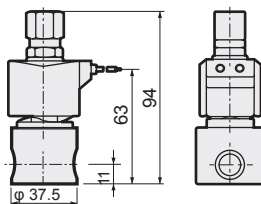


Dimensions shown in () are for G1/2.

● Stainless steel body + grommet lead wire type

AG34-01/02-1 to 2-***

D/E/R/L/M

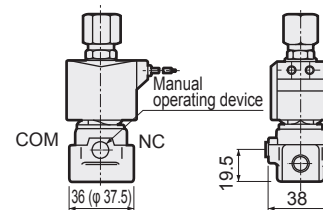


● Manual operating device (locking)

AG34-01/02-1 to 2-***

A

The figure shows brass body.

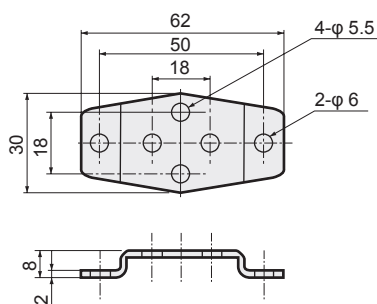


Dimensions shown in () are for stainless steel body.

● Mounting plate

AG34-01/02-1 to 2-***

B



Mounting plate No.1 GE-100106

EXA

FWD

HNB/G

USB/G

FAB/G

FGB/G

FVB

FWB/G

FHB

FLB

AB

AG

AP/AD

APK/ADK

For dry air

Explosion proof

HVB/HVL

SAB/NAB

LAD/NAD

Related components for water

NP/NAP/NVP

CHB/G

MXB/G

Others Valve

Dust collecting

CVE/CVSE

CCH, CPE/D

Medical analysis

Gas combustion

Automatic watering

Custom order product

Ending