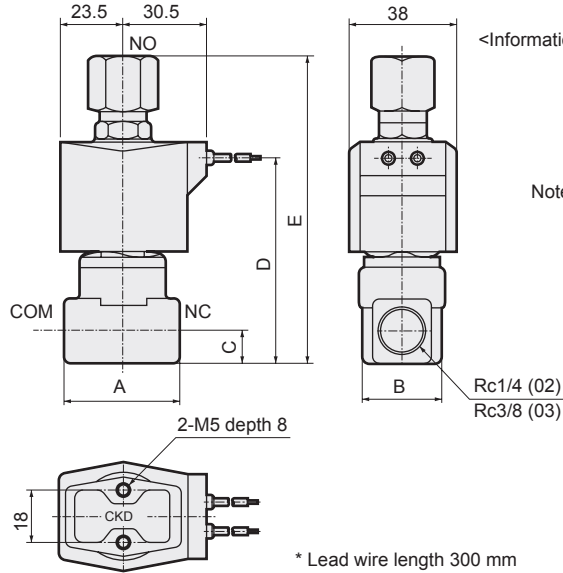


AG33/43 Series



Dimensions: AG43 Series

- Grommet lead wire type
AG43-02/03-4 to 5



<Information> As the JIS symbol flow shows, this is dedicated for NC port pressurization. Pressurization from other ports is not possible.
When not energized: COM → NO
When energized: NC → COM

Note 1: The dimensions are same for port sizes of G and NPT threads.

* Lead wire length 300 mm

Model no.	A	B	C	D	E
AG43-02-4 to 5	36	28	11	68	99.5
AG43-03-4 to 5	40	28	12	71	106

- EXA
- FWD
- HNB/G
- USB/G
- FAB/G
- FGB/G
- FVB
- FWB/G
- FHB
- FLB
- AB
- AG**
- AP/AD
- APK/ADK
- For dry air
- Explosion proof
- HVB/HVL
- S^ΔB/NAB
- LAD/NAD
- Related components for water
- NP/NAP/NVP
- CHB/G
- MXB/G
- Others Valve
- Dust collecting
- CVE/CVSE
- CCH, CPE/D
- Medical analysis
- Gas combustion
- Automatic watering
- Custom order product
- Ending

Optional dimensions: AG43 Series

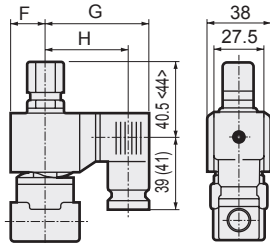


* Refer to the grommet lead wire type dimensions on the left page for common dimensions.

● DIN terminal box

AG43-02/03-4 to 5-*

2E
2G
2H



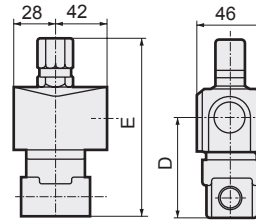
Dimensions shown in <> are for Rc3/8. Dimensions shown in () are for G1/2.

Voltage	F	G	H
AC	23.5	65.5	54 (53.5)
DC	23.5	66	54.5 (54)

● Open frame lead wire type

AG43-02/03-4 to 5-*

3A
4A
5A



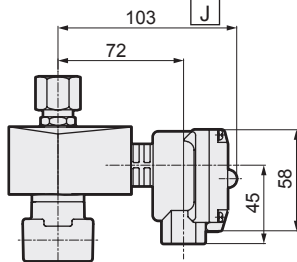
Model no.	D	E
AG43-02-4 to 5-**A	52.0	99.5
AG43-03-4 to 5-**A	55.0	106

● Open frame type + HP terminal box

AG43-02/03-4 to 5-*

3 M	4M
5 N	4N

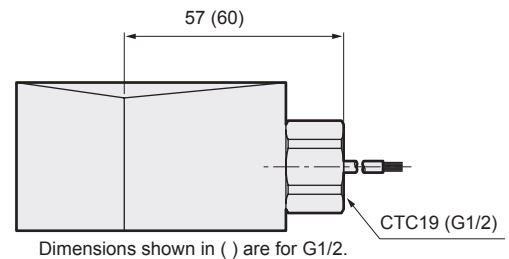
I J



● Open frame type + conduit

AG43-02/03-4 to 5-*

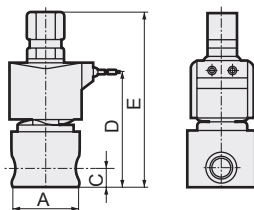
3A	G
4A	H
5A	



● Stainless steel body + grommet lead wire type

AG43-02/03-4 to 5-

D/E/F/R/L/M/N



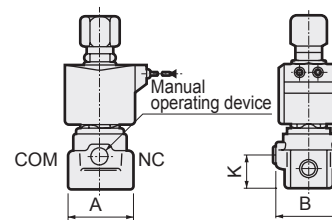
Model no.	A	C	D	E
AG43-02-4 to 5-*	φ 37.5	11	68	99.5
AG43-03-4 to 5-*	φ 45	12	71	106

● Manual operating device (locking)

AG43-02/03-4 to 5-***

A

The figure shows brass body.



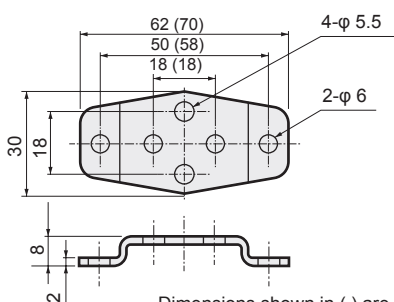
Model no.	A	B	K
AG43-02-4 to 5-***A	36 (φ 37.5)	38	19.5
AG43-03-4 to 5-***A	40 (φ 45.0)	40	22.5

Dimensions shown in () are for stainless steel body.

● Mounting plate

AG43-02/03-4 to 5-***

B



Dimensions shown in () are for mounting plate No. 2.

Code	Applicable model	
Mounting plate No.1 GE-100106	● AG43-02/03-4 to 5 Series ● Stainless steel body AG43-02-4 to 5- <table border="1" style="display: inline-table; vertical-align: middle;"><tr><td>D/E/F/L/M/N/R</td></tr></table>	D/E/F/L/M/N/R
D/E/F/L/M/N/R		
Mounting plate No.2 GE-100159	● Stainless steel body AG43-03-4 to 5- <table border="1" style="display: inline-table; vertical-align: middle;"><tr><td>D/E/F/L/M/N/R</td></tr></table>	D/E/F/L/M/N/R
D/E/F/L/M/N/R		

EXA
FWD
HNB/G
USB/G
FAB/G
FGB/G
FVB
FWB/G
FHB
FLB
AB
AG
AP/AD
APK/ADK
For dry air
Explosion proof
HVB/HVL
S ^Δ B/NAB
LAD/NAD
Related components for water
NP/NAP/NVP
CHB/G
MXB/G
Others Valve
Dust collecting
CVE/CVSE
CCH/CPE/D
Medical analysis
Gas combustion
Automatic watering
Custom order product
Ending